

Philips CoreLine Downlight DN130



50Hz
60Hz

220V
240V

LEDs

IP20

IP44

IK02

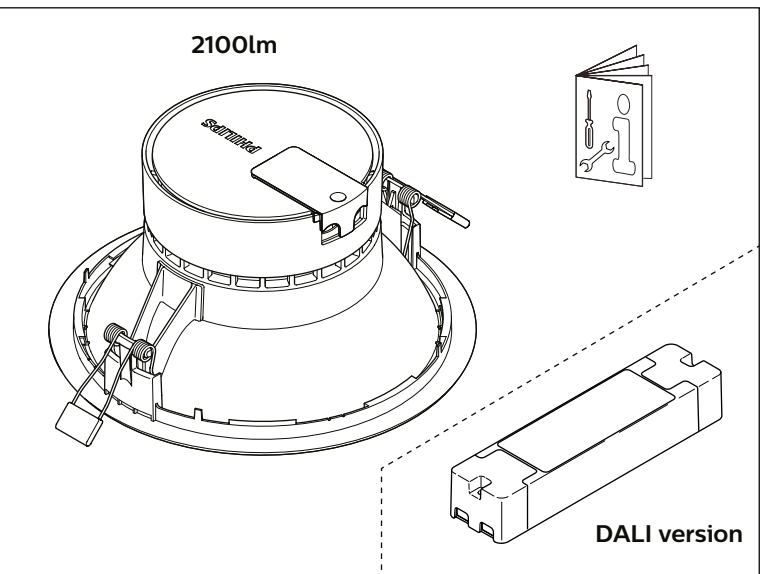
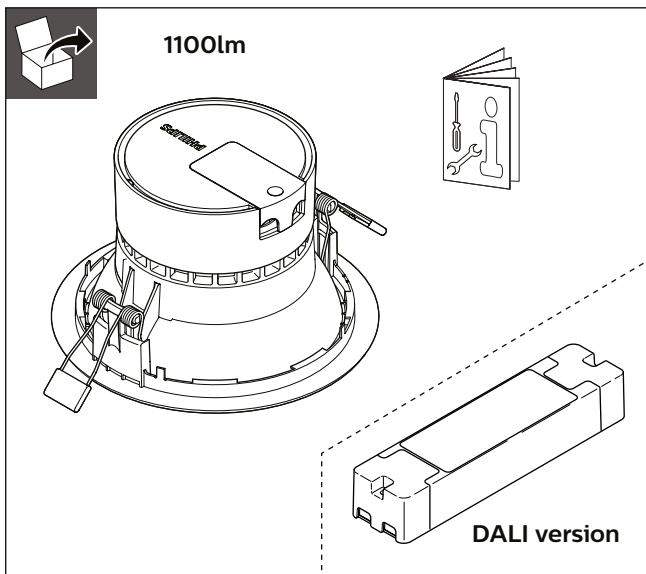
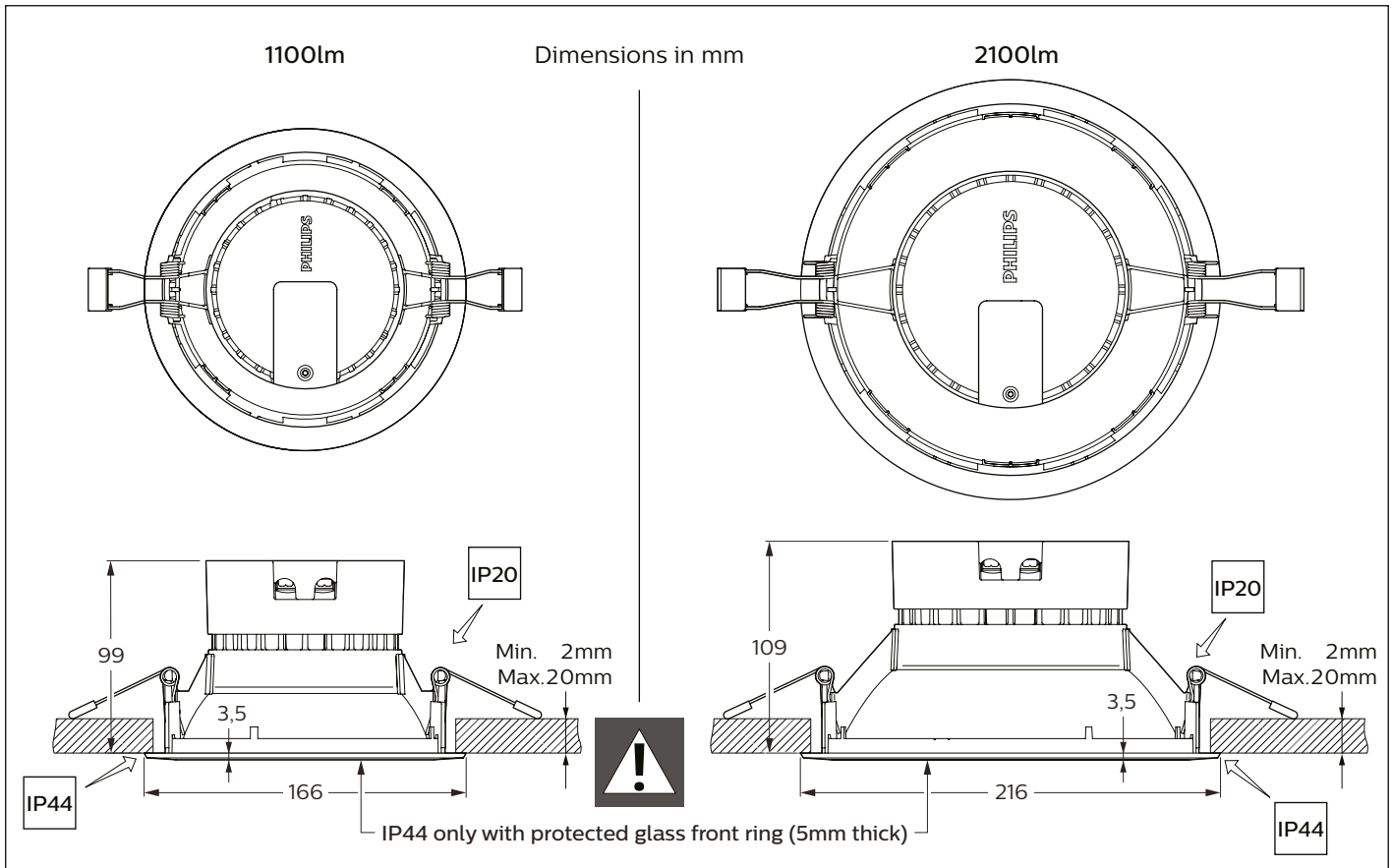
Ta
25°C

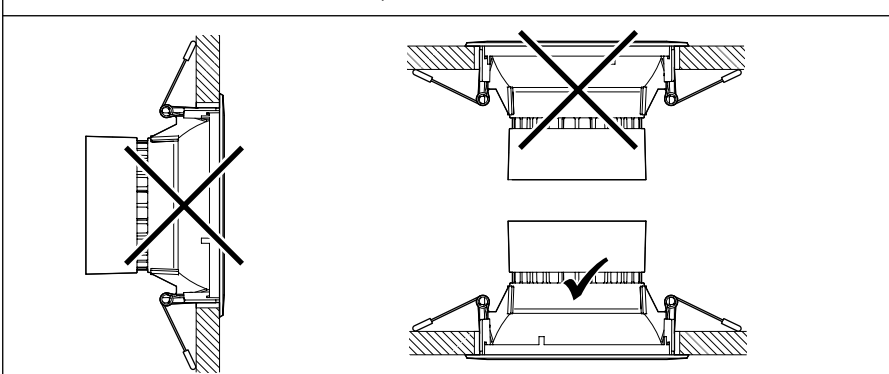
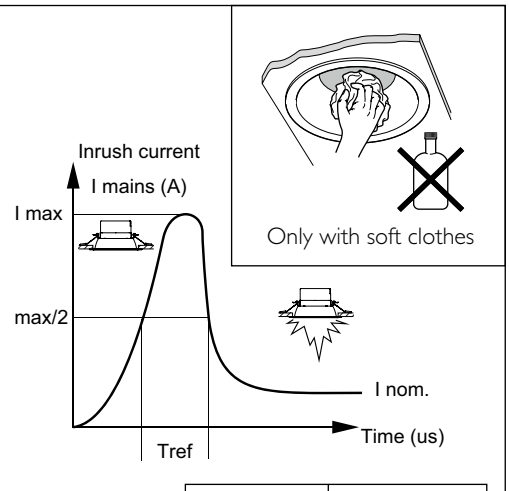
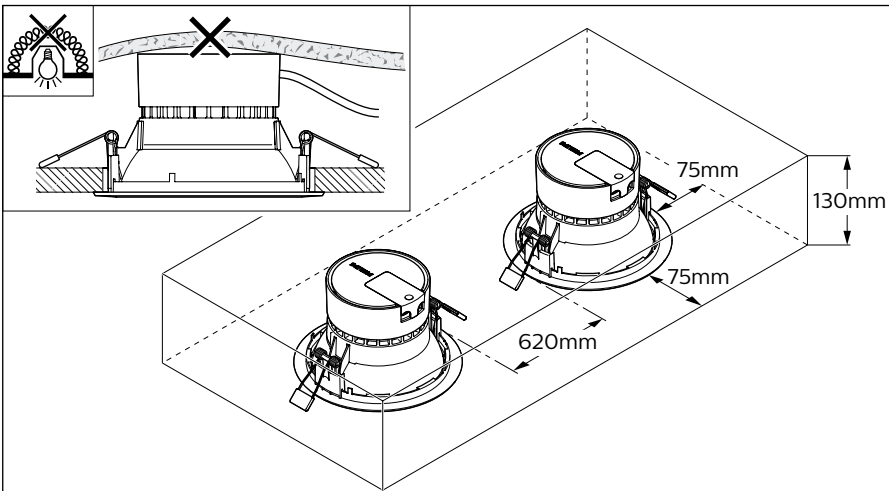
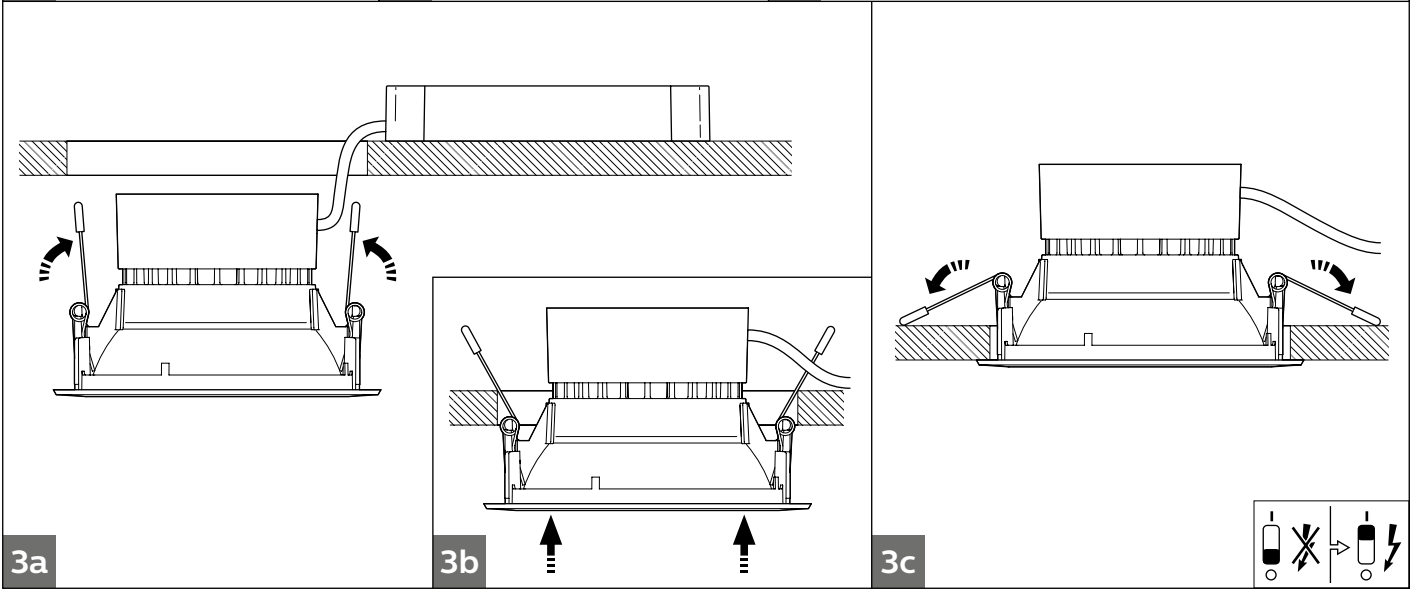
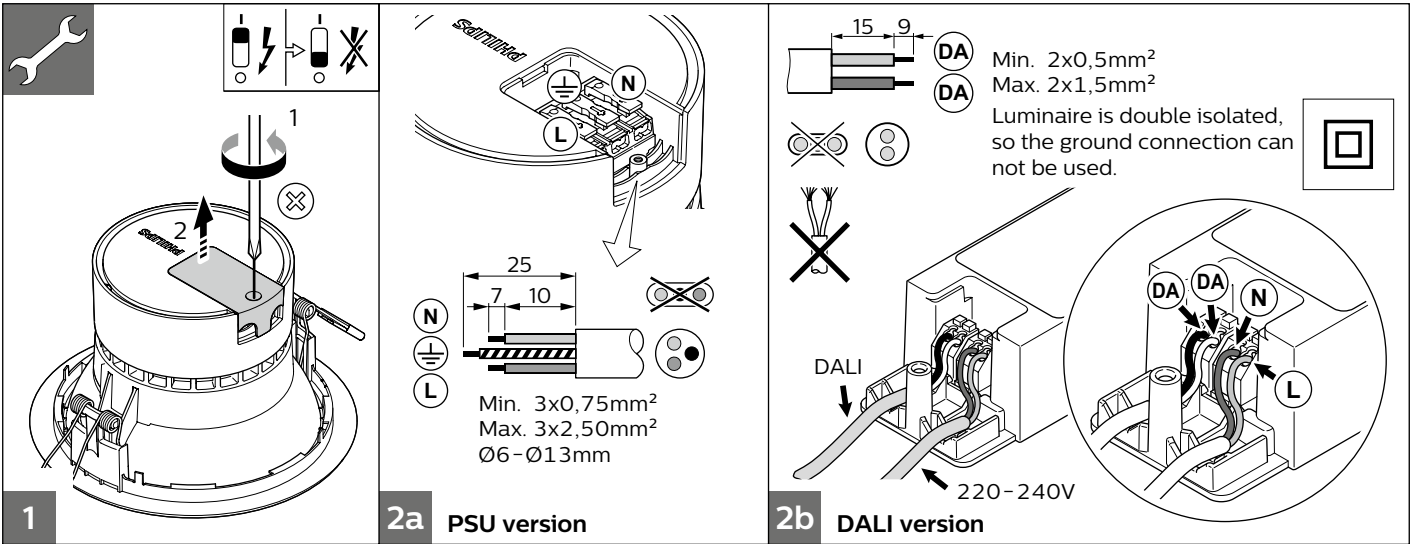
Max.
40°C
Min.
-10°C

GLOW
WIRE
850°C



	System lumen(lm)	CCT(K)	Driver	P(W)	Ø mm	kg
DN130B/DN131B LED10S	1100	3000/4000	PSU	11,2	150-155	0,38
DN130B/DN131B LED20S	2100	3000/4000	PSU	22,0	200-205	0,70
DN130B/DN131B LED10S	1100	3000/4000	PSED-E	11,2	150-155	0,47
DN130B/DN131B LED20S	2100	3000/4000	PSED-E	22,0	200-205	0,79





	1100Lm	2100Lm
Electrical Characteristics		
$I_{\text{nom}} \text{ (A)}$	0.07	0.13
$I_{\text{max}} \text{ (A)}$	4.00	22.00
Tref(ms)	0.50	0.32
MCB DownlightsMax.		
B-10A	18	9
B-13A	25	12
B-16A	30	15
C-10A	31	15
C-13A	41	20
C-16A	50	25