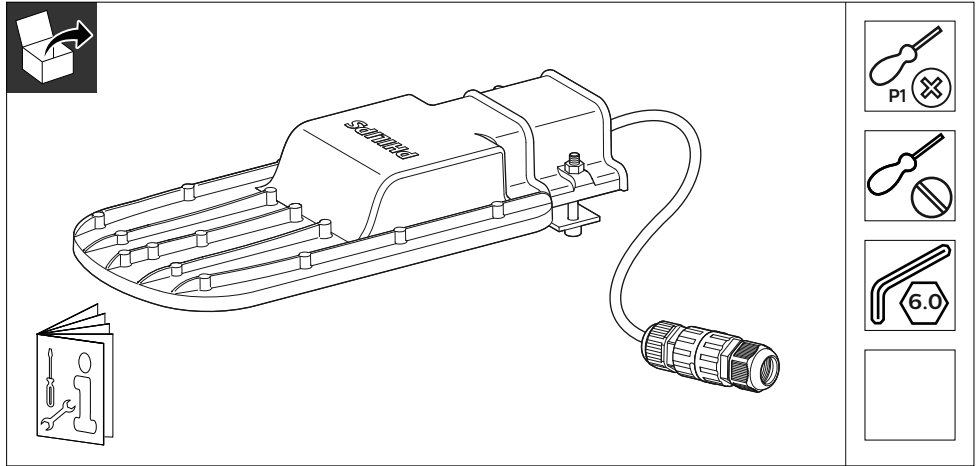


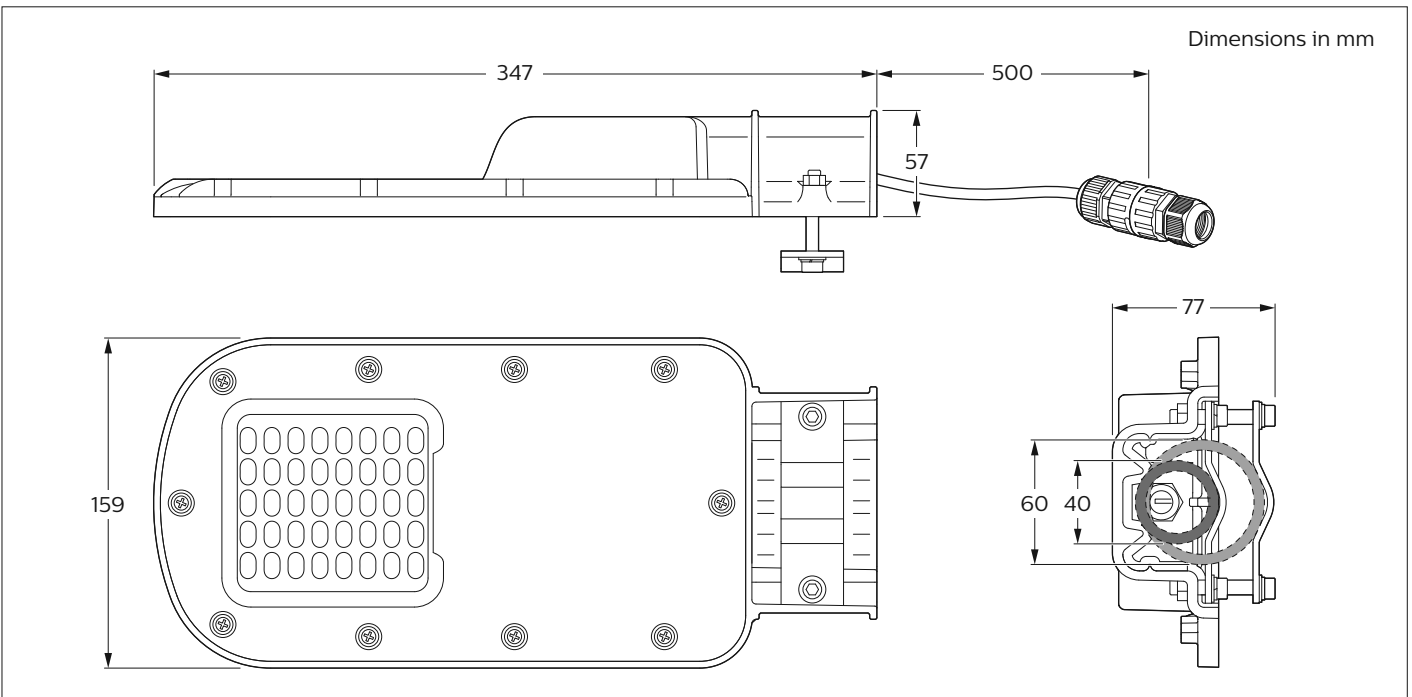
# PHILIPS

## StreetStar

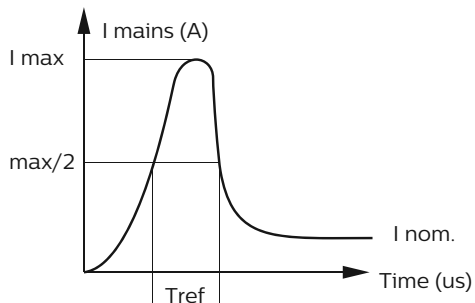
BRP215



	Flux(lm)	P (W)			
BRP215 LED24/NW 18W 220-240V DW3 MP1	2400	18	5-8 m	0.055 m <sup>2</sup>	1.1 kg
BRP215 LED35/NW 27W 220-240V DW3 MP1	3500	27			



### Inrush current

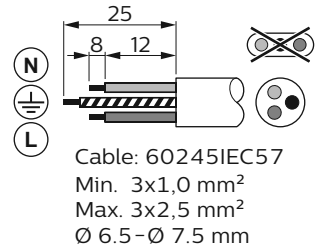
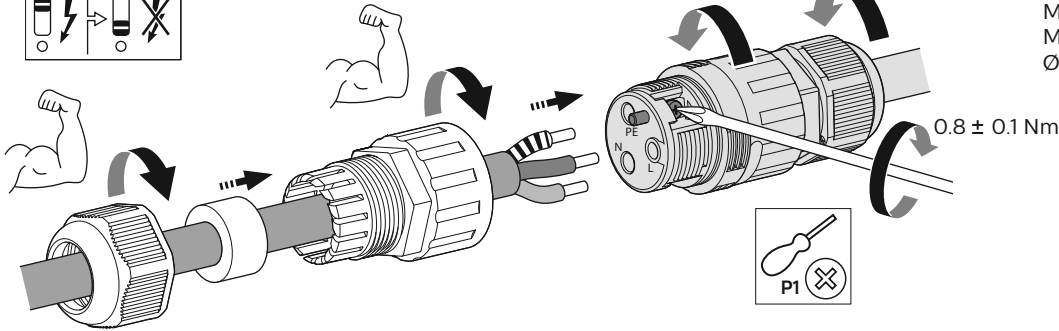
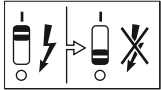


Electrical characteristics	
I <sub>max</sub> (A)	4.2
T <sub>ref</sub> (μs)	70
MCB	Luminaires Max.
B-10 A	40
B-13 A	50
B-16 A	60
C-10 A	40

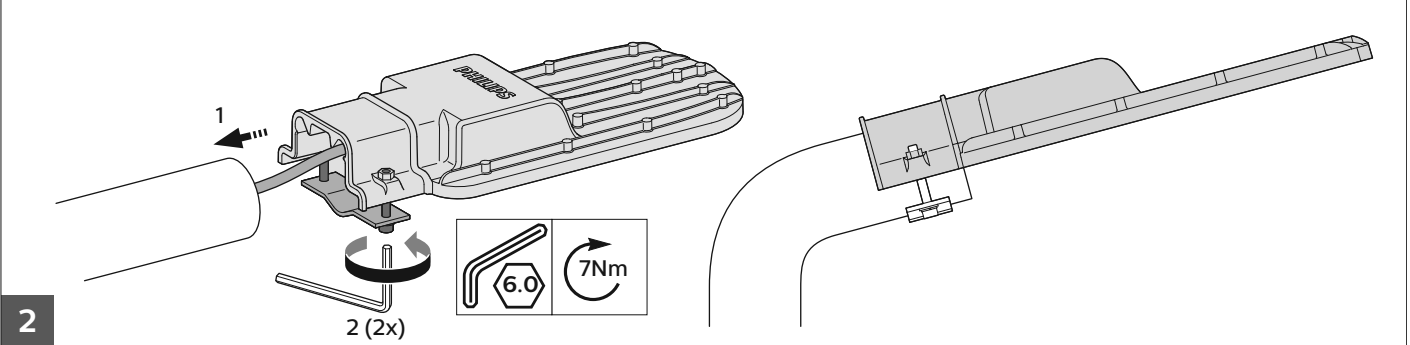


### PSU

Mains M20 cable gland that accepts cable diameter from 10 to 14 mm with an external 3 poles quick connector (IP68 rated connector). No need to open the luminaire for the electrical connection.



1



2

- The luminaire shall be installed or maintained by a qualified electrician and wired in accordance with the latest IEE electrical regulations or the national requirements.
- If the external flexible cable or cord of this luminaire is damaged, it shall be exclusively replaced by the manufacturer or his service agent or a similar qualified person in order to avoid a hazard.
- Outdoor use only.