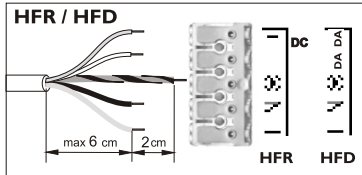
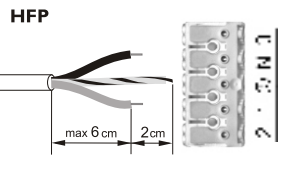
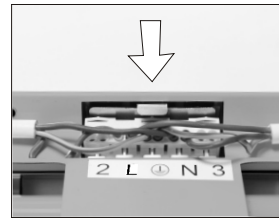
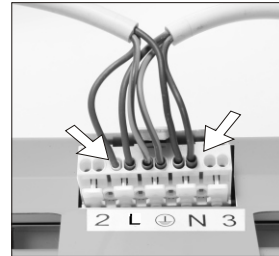
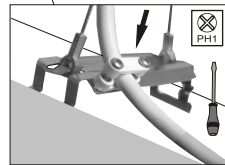
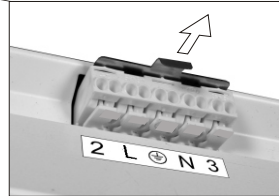
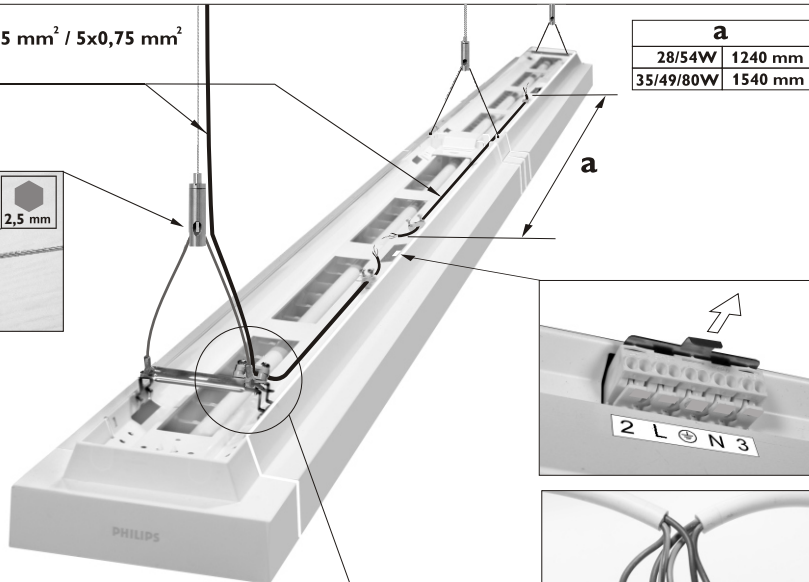
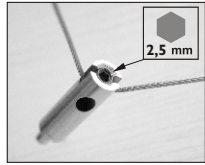
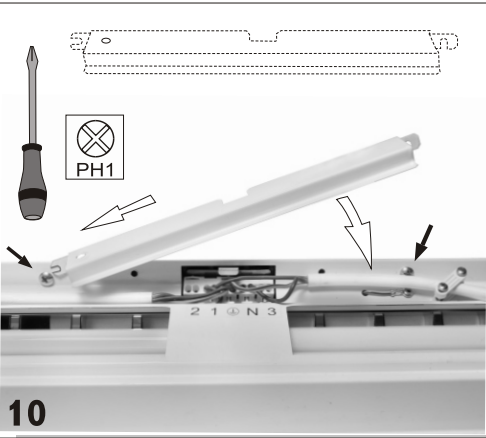


H05VV - F 3x0,75 mm² / 5x0,75 mm²
(I_{max} = 6A)

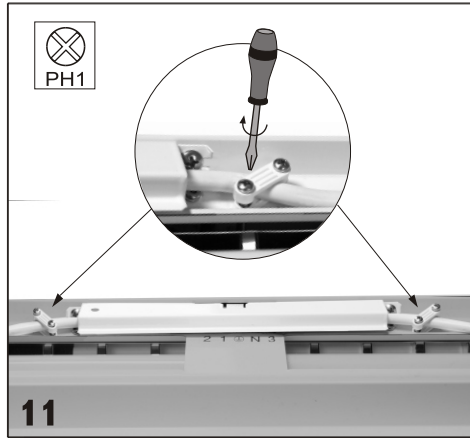
a	
28/54W	1240 mm
35/49/80W	1540 mm



9



10



11

Philips EFix ZCS260 CPS

Installation instructions

Instructions de montage

Istruzioni di montaggio

Szerelési útmutató

Installation instructions

Instrucciones de montaje

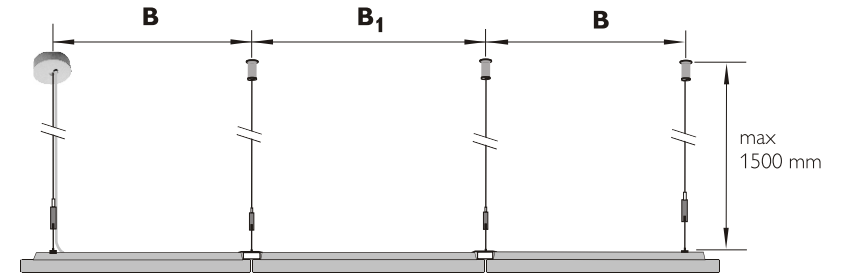
Instrukcja montażu

Montageanweisung

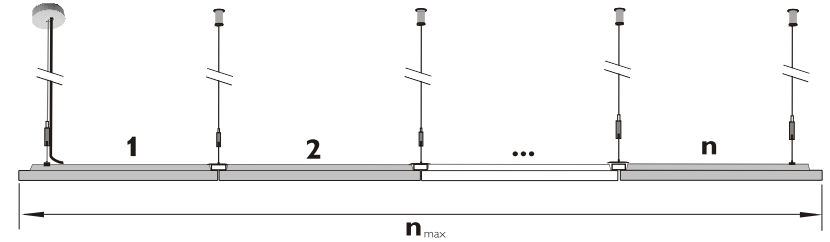
Montážní návod

Montagevoorschrift

Montážny návod



	28W	54W	35W	49W	80W
B [mm]	1125	1125	1425	1425	1425
B₁ [mm]	1240	1240	1540	1540	1540



	n _{max}		n _{max}
1x28W	33	2x28W	16
1x35W	27	2x35W	13
1x49W	19	2x49W	10
1x54W	17	2x54W	9
1x80W	12	2x80W	6

12NC 4427 100 65590
Version date: 08/08
Data subject to change without notice
Printed in Poland
www.philipc.com/lighting

PHILIPS

