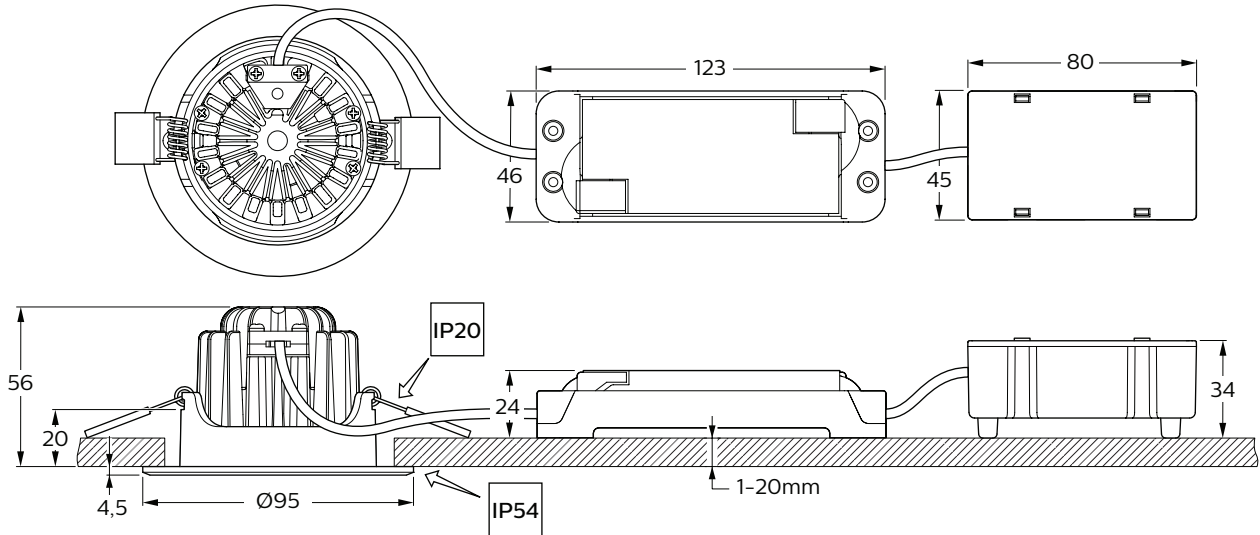


CoreLine Recessed Spot RS140

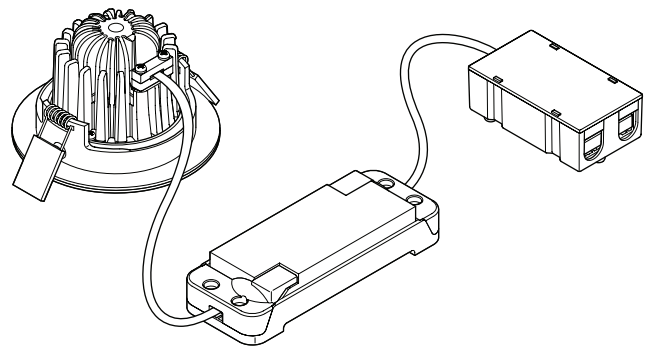
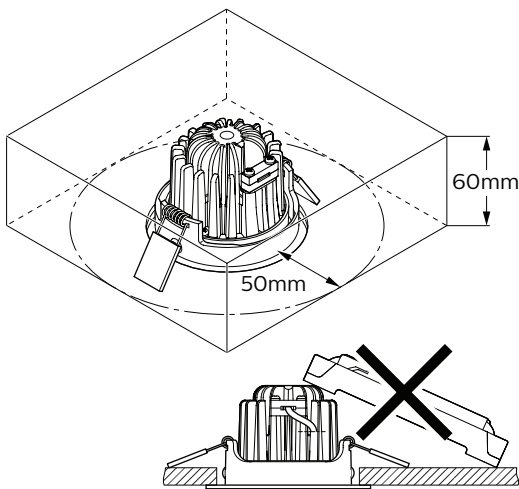
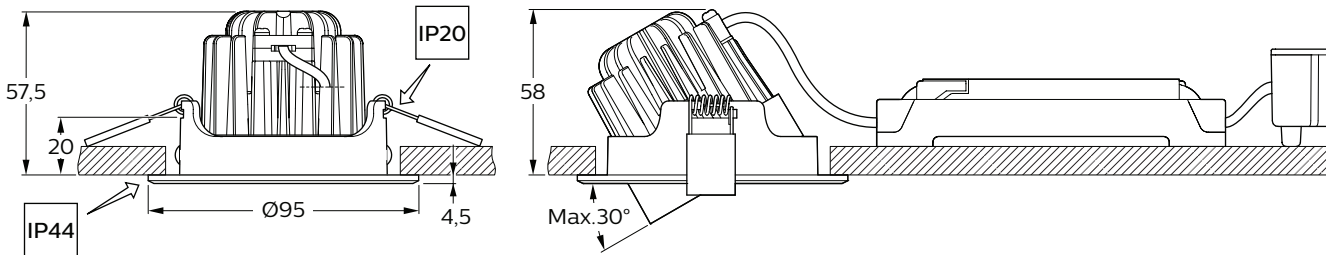


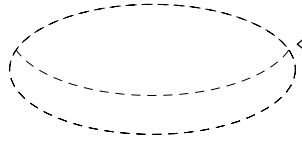
	P(W)	Ø mm	kg
RS140B LED6S fixed	11	78	0.54
RS141B LED6S adjustable	11	80	0.56
RS141B LED7S adjustable	16	80	0.56
RS141B LED12S adjustable	16	80	0.56

Fixed

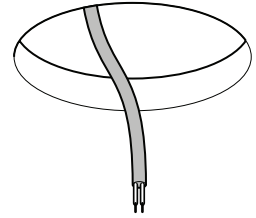


Adjustable



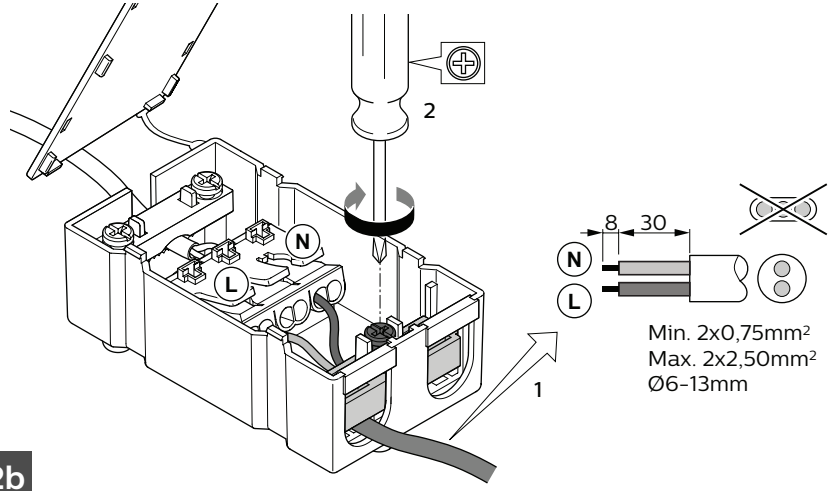
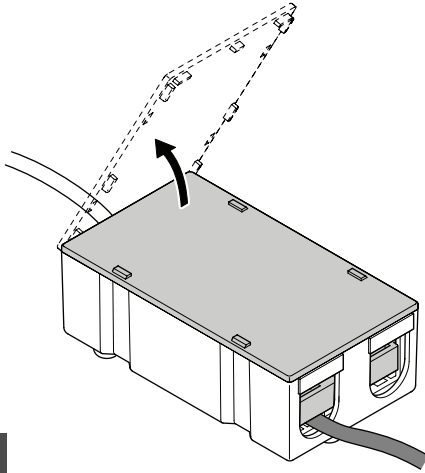


Fixed= Ø78mm
Adjustable= Ø80mm



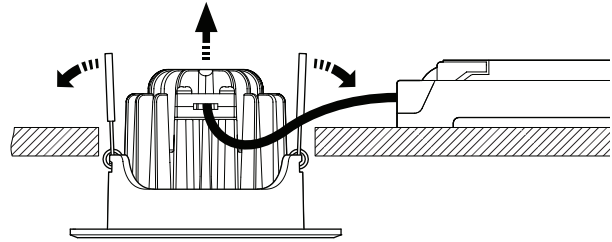
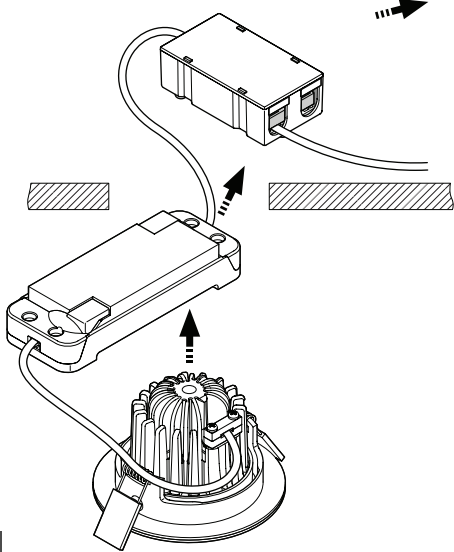
1a

1b

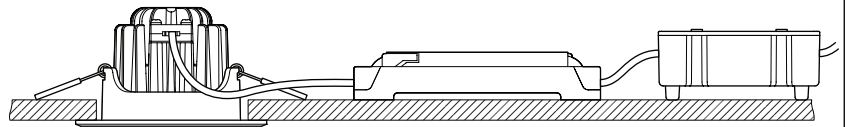


2a

2b

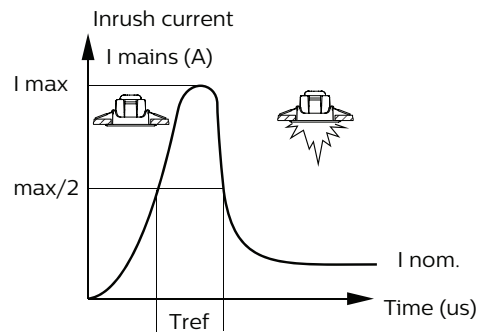
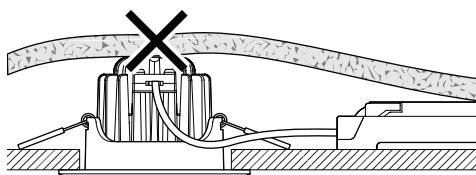


3a



3b

! The luminaire shall, under no circumstances, be covered with insulating matting or similar material.



Electrical Characteristics

I _{max} (A)	7
T _{ref} (μs)	300
MCB	DownlightsMax.
B-10A	25
B-13A	32
B-16A	40
C-10A	40
C-13A	54
C-16A	68



- The luminaire shall be installed by a qualified electrician and wired in accordance with the latest IEE electrical regulations or the national requirements.
- Only to be installed outside arms reach as recessed ceiling luminaire.
- For complete and updated list of advised dimmers, please check the CoreLine Recessed Spot RS140 page on the Philips Lighting eCatalog: <http://www.ecat.lighting.philips.com>