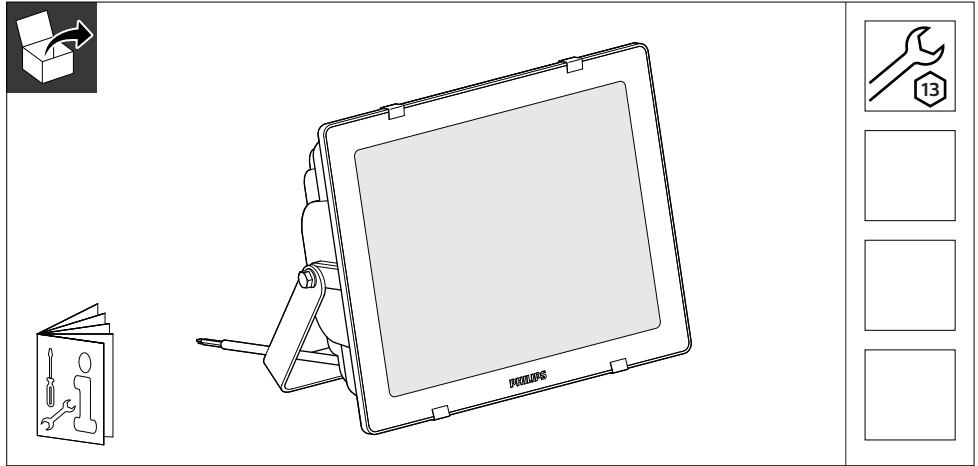


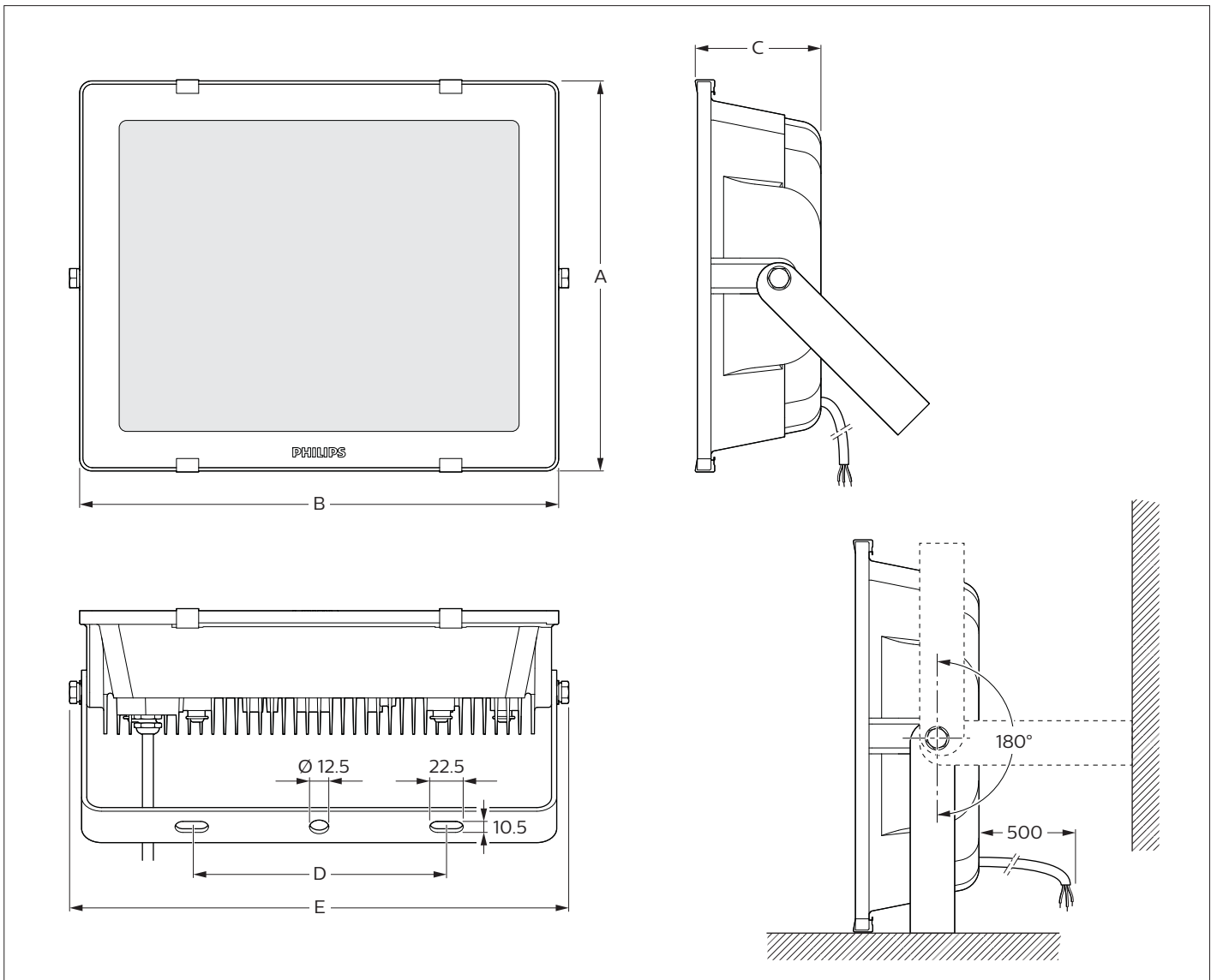
PHILIPS

Ledinaire FloodLight Maxi

BVP106



	Power (W)	Flux (lm)	Beam	Dimensions in mm					m ²	kg
				A	B	C	D	E		
BVP106 LED100/740 PSU VWB100	100	10000	Symmetric	265	323	85	172	342	0.085	3.55
BVP106 LED200/740 PSU VWB100	200	20000		330	422	108	174	445	0.139	6.35

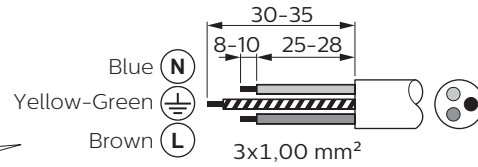
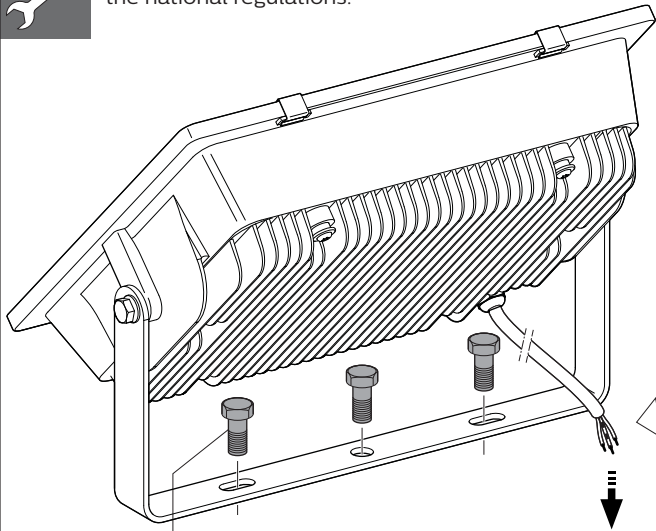




Install the luminaire according to the national regulations.

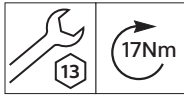


It is recommended to use a supply box with a minimum IP65/67 waterproof, and 3P terminal, the terminal is at least rated voltage 250V.

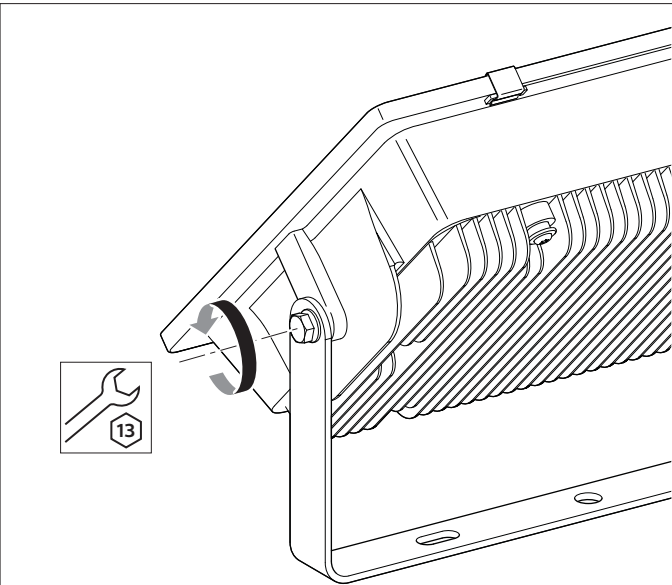


1

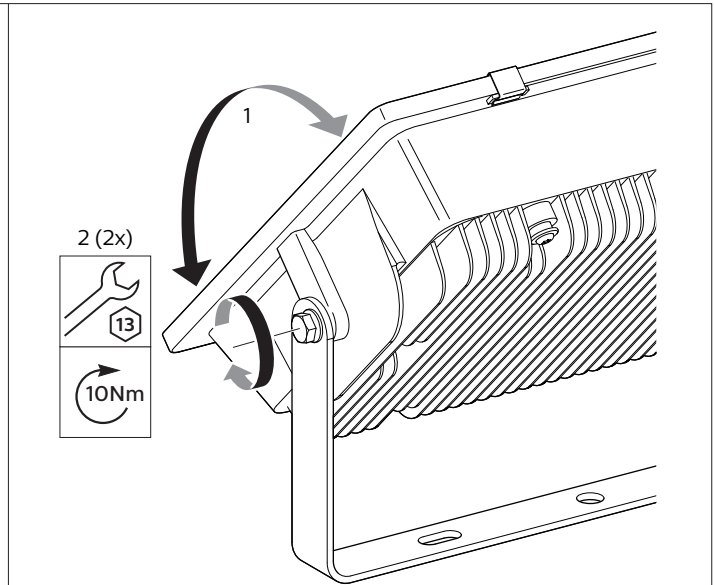
M10
(not included)



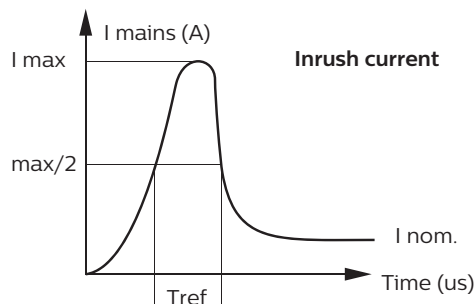
220V
240V



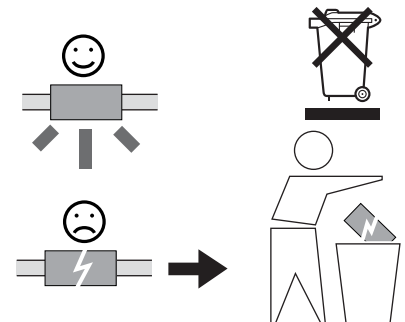
2a



2b



	LED100	LED200
Electrical characteristics		
I _{max} (A)	38	42
T _{ref} (μs)	250	440
MCB	Floodlight Max.	
B-10 A	9	4
B-16 A	15	7
C-10 A	15	7
C-16 A	25	12



- The luminaire shall be installed or maintained by a qualified electrician and wired in accordance with the latest IEE electrical regulations or the national requirements.
- If the external flexible cable or cord of this luminaire is damaged, it shall be exclusively replaced by the manufacturer or his service agent or a similar qualified person in order to avoid a hazard.
- The light source contained in this luminaire shall only be replaced by the manufacturer or his service agent or a similar qualified person.