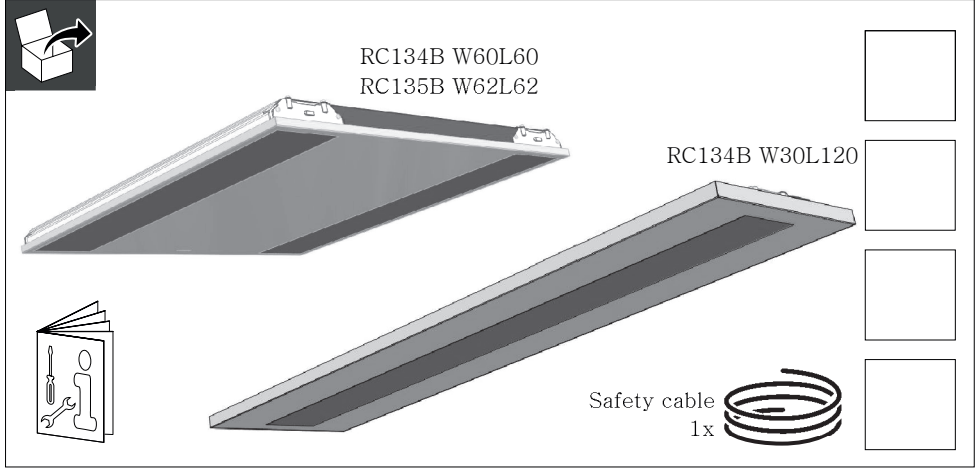


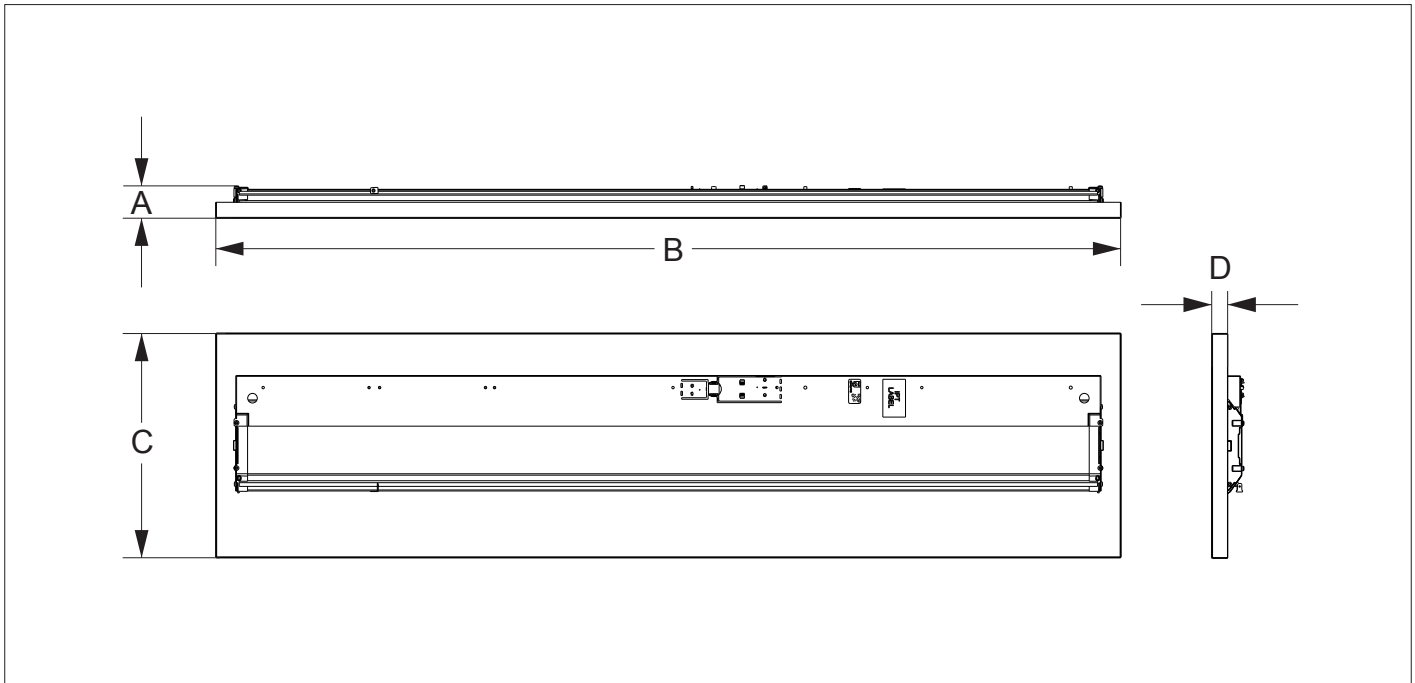
PHILIPS

CoreLine
Recessed

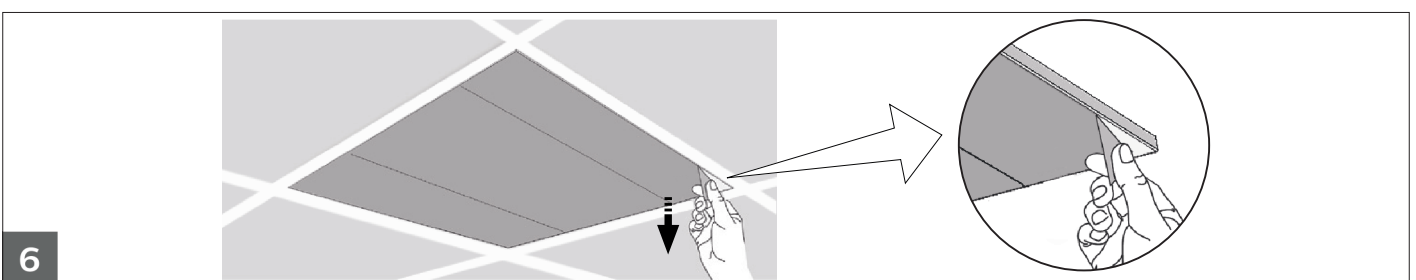
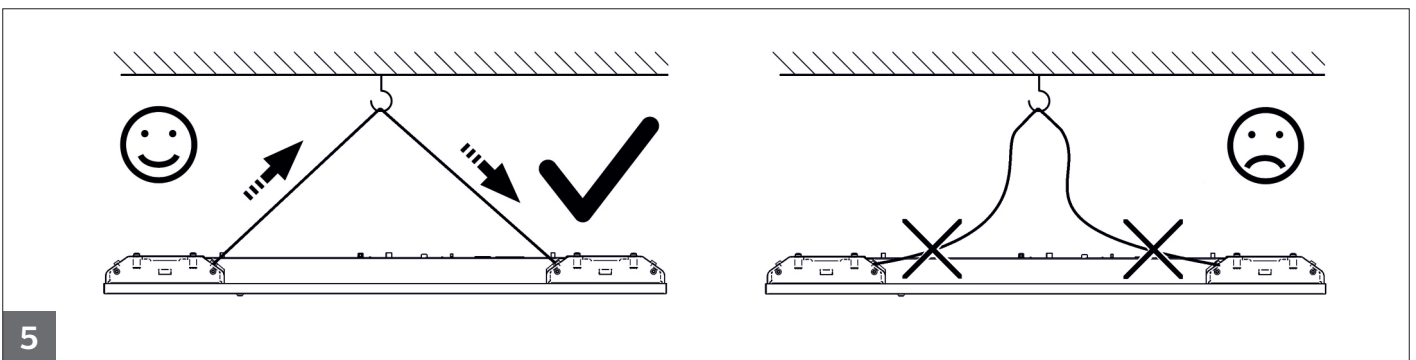
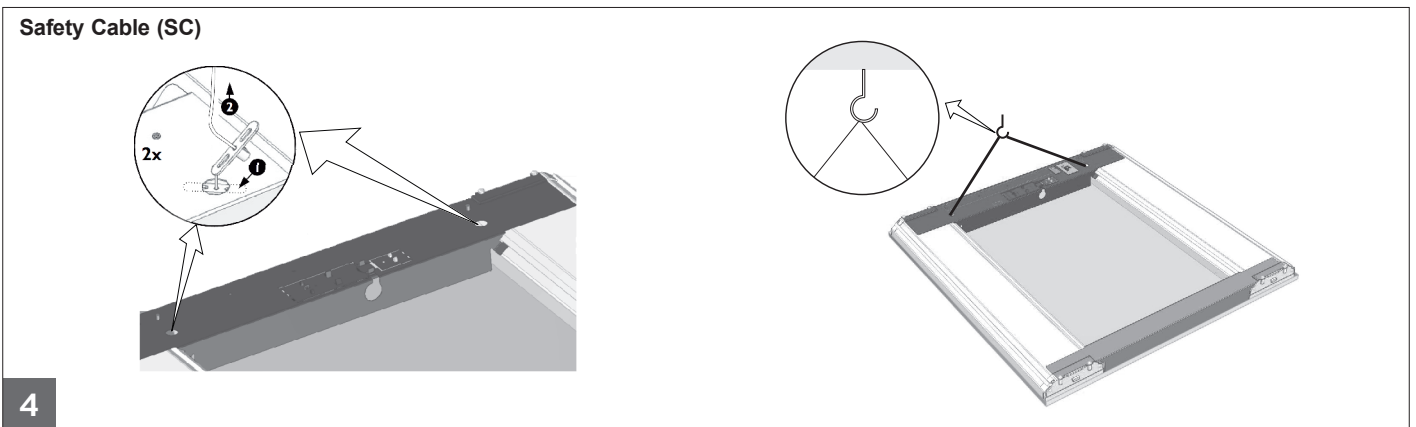
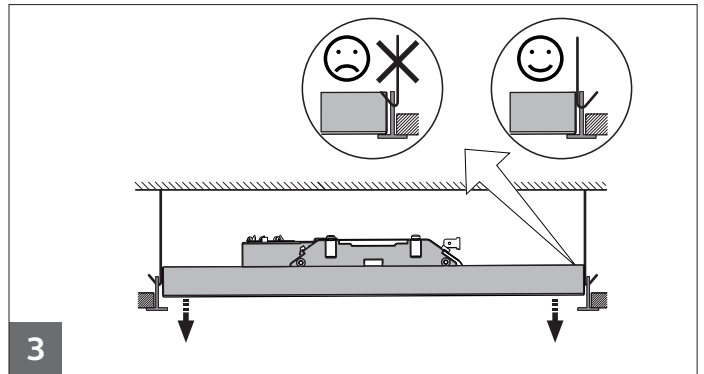
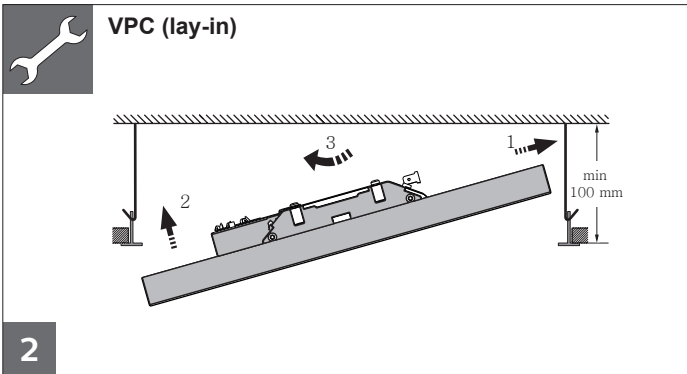
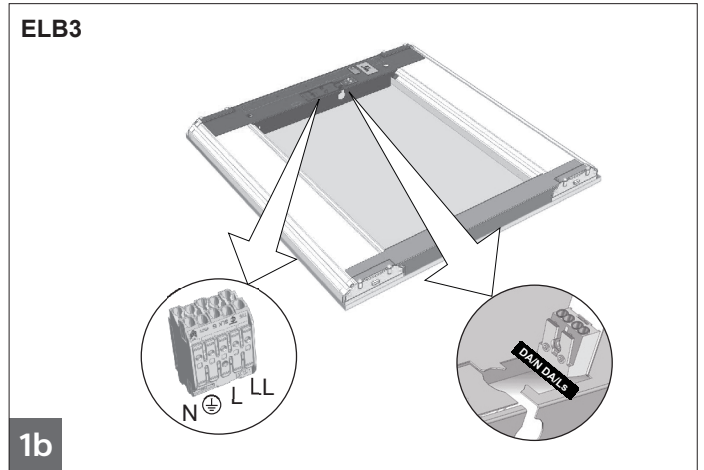
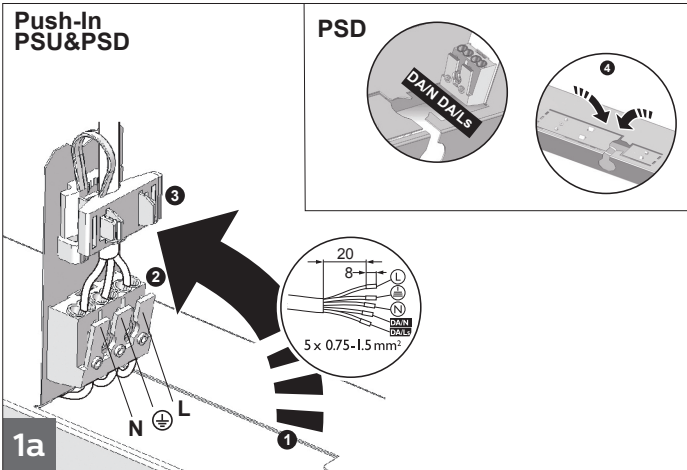
RC134B/RC135B



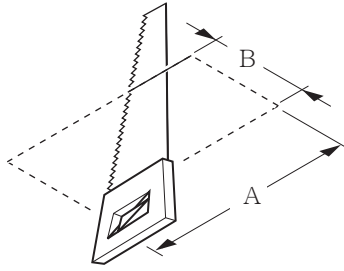
	LED27S/840 PSU P (W)	LED27S/830 PSU P (W)	LED27S/840 PSD P (W)	LED27S/830 PSD P (W)	LED37S/840 PSU P (W)	LED37S/830 PSU P (W)	LED37S/840 PSD P (W)	LED37S/830 PSD P (W)	kg
RC134B W60L60 OC			22.0	23.0	30.5	34.5	31.5	31.5	2.9
RC134B W60L60 NOC	27.0	28.5	26.5	30.5	34.0	34.0	35.5	35.5	2.9
RC134B W30L120 OC			22.0	23.0	30.5	34.5	31.5	31.5	3.0
RC134B W30L120 NOC	27.0	28.5	26.5	30.5	34.0	34.0	35.5	35.5	3.0
RC135B W62L62 OC			22.0		30.5		31.5		3.1
RC135B W62L62 NOC	27.0		26.5		34.0		35.5		3.1
RC134B W60L60 ELB3 OC			25.5				35.0		3.6
RC134B W60L60 ELB3 NOC	30.5		30.5				39.0		3.6
RC134B W30L120 ELB3 OC			25.5				35.0	35.0	3.75
RC134B W30L120 ELB3 NOC	30.5	32.0	30.5	34.0	38.0	38.0	35.5	39.0	3.75

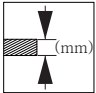
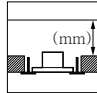


	A(mm)	B(mm)	C(mm)	D(mm)
RC134B W60L60	41	597	597	11
RC134B W30L120	41	1197	297	21
RC135B W62L62	41	622	622	11

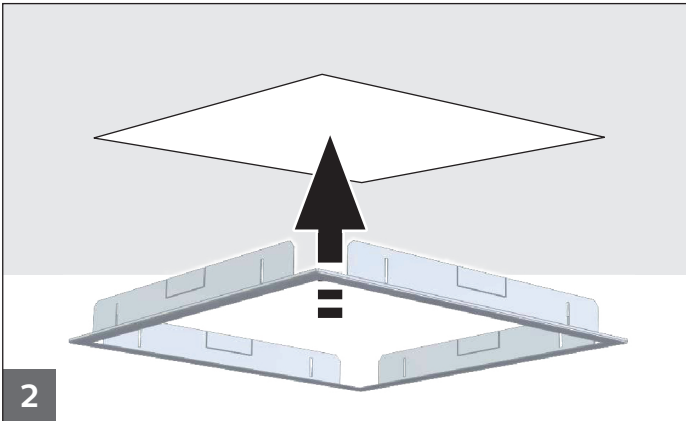


PCV (Plaster ceiling version)

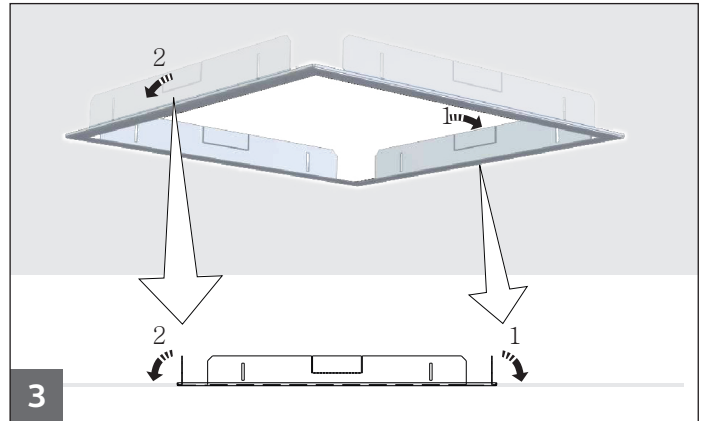


Module	A(mm)	B(mm)	 (mm)	 (mm)
RC134Z W60L60	615	615	12-24	200
RC134Z W30L120	315	1215	12-24	200
RC135Z W62L62	640	640	12-24	200

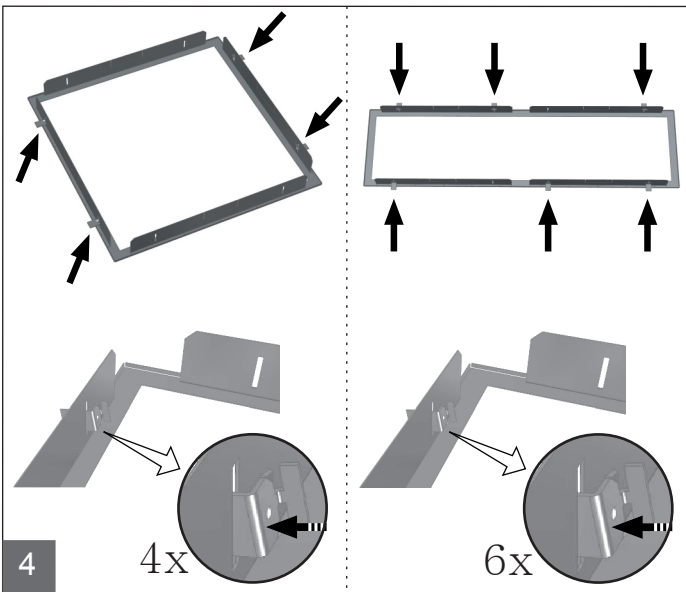
1



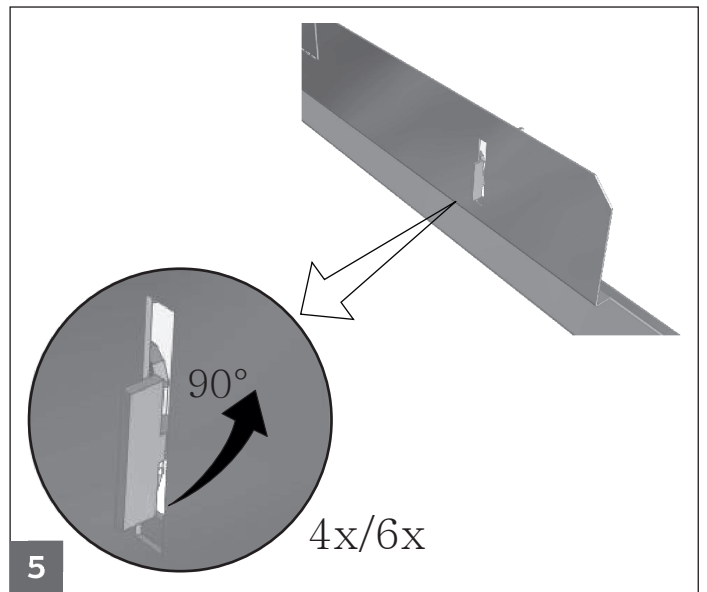
2



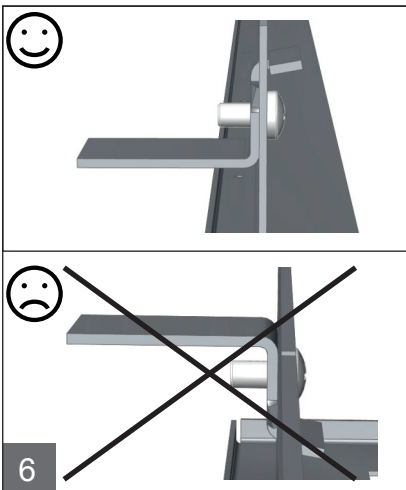
3



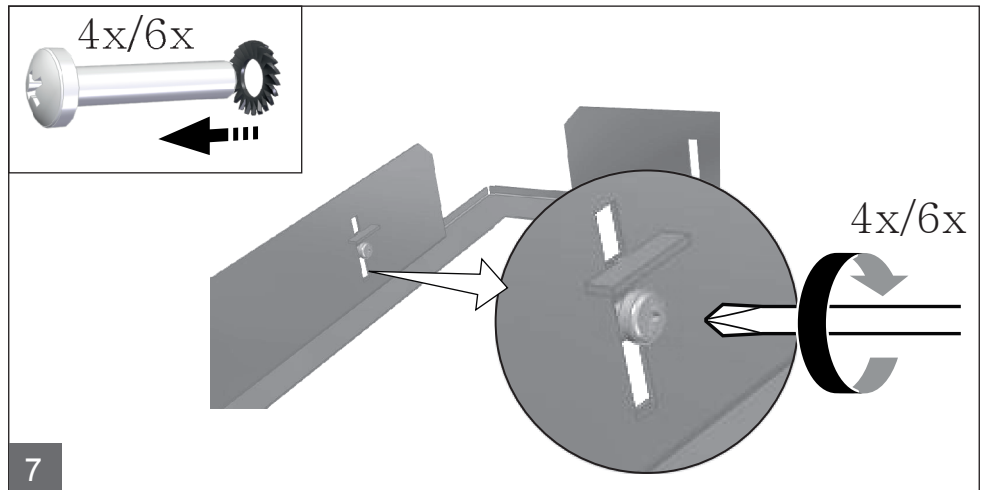
4



5

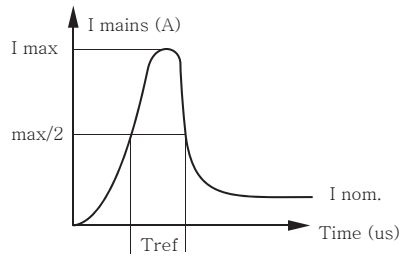


6



7

Inrush current

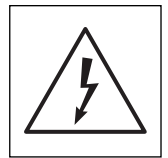
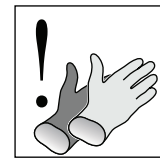


	LED27S/840 PSU NOC	LED27S/830 PSU NOC	LED27S/840 PSD LED27S/830 PSD	LED37S/840 PSU NOC	LED37S/840 PSU OC	LED37S/840 PSD LED37S/830 PSD
I _{max} (A)	8	14	14.7	5.3	19	22
T _{ref} (µs)	60	250	250	70	280	275
B-10 A	15	20	23	15	15	15
B-13 A	19	26	30	19	19	19
B-16 A	24	33	38	24	24	24
B-20 A	30	41	47	30	30	30
B-25 A	37	51	59	37	37	37
C-10 A	24	34	39	24	24	24
C-13 A	32	44	51	32	32	32
C-16 A	40	56	64	40	40	40
C-20 A	49	68	79	49	49	49
C-25 A	62	85	98	62	62	62

Maintenance instructions

To assure the lighting quality of this unique LED lighting concept there are a few instructions regarding the maintenance of this LED luminaire:

- Do not touch electronic components!
Electronic components are under high voltage.
Electronic components are ESD sensitive.
- During installation or when maintaining the luminaire please use static free gloves to avoid marks on the luminaire.
- To remove dirt and spots use the following:
 - o Dust: only use micro fiber cloths
 - o Fingerprints, etc.: use a cleaner for synthetic materials with antistatic properties.
- Do not stare into the LED light beam.
- To avoid scratches and dirt on optical parts remove protective foil after installation.
- The luminaire shall be installed by a qualified electrician and wired in accordance with the latest IEE electrical regulations or the national requirements.
- The light source is not replaceable. In case of damage replace the luminaire.
- Driver insulation: Basic according to IEC 61347-1.



© 2018 Philips Lighting Holding B.V.

All rights reserved. Reproduction in whole or in part is prohibited without the prior written consent of the copyright owner. The information presented in this document does not form part of any quotation or contract, is believed to be accurate and reliable and may be changed without notice. No liability will be accepted by the publisher for any consequence of its use. Publication thereof does not convey nor imply any license under patent- or other industrial or intellectual property rights.

Philips Lighting Holding B.V.
The Netherlands