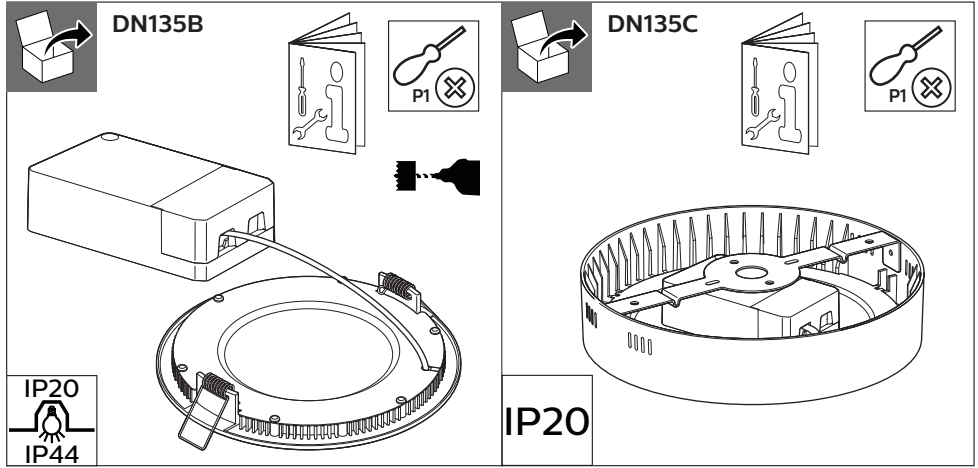


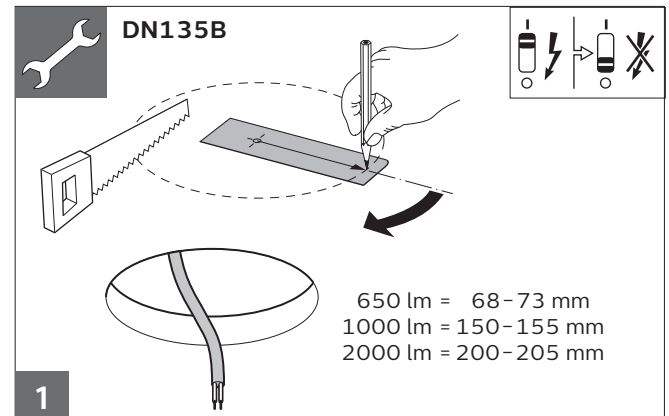
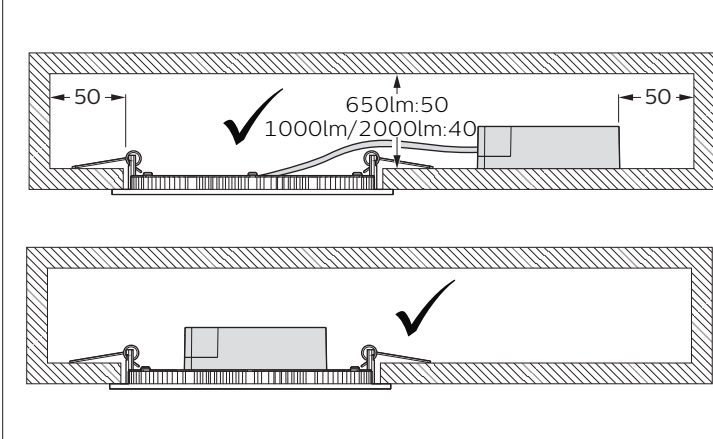
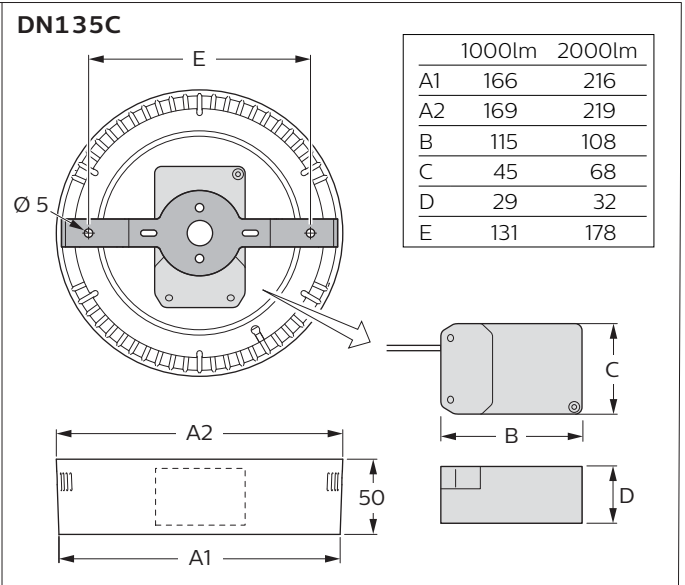
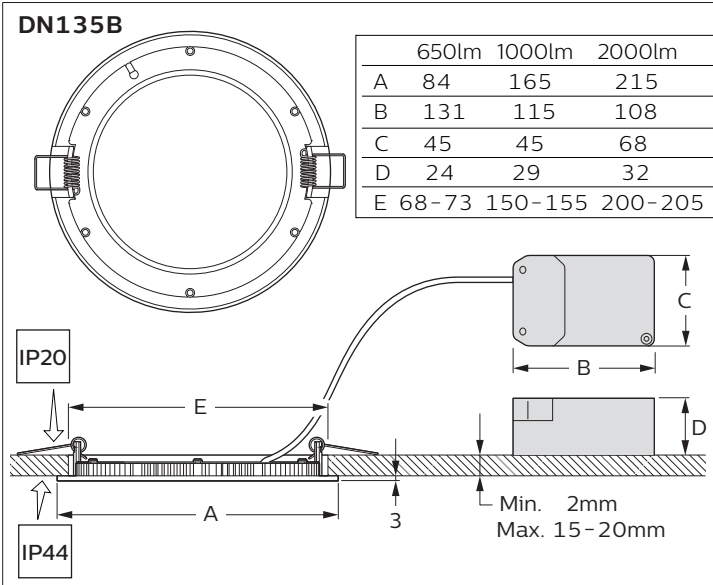
# PHILIPS

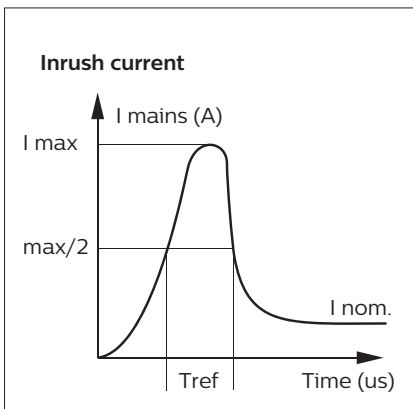
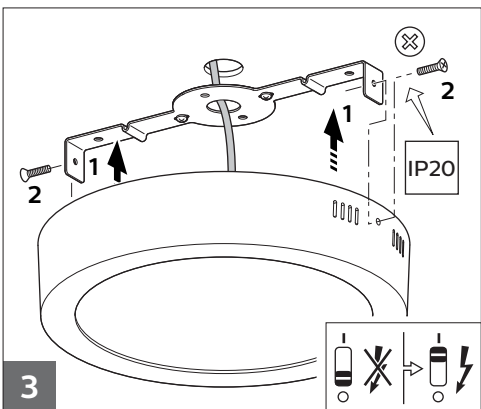
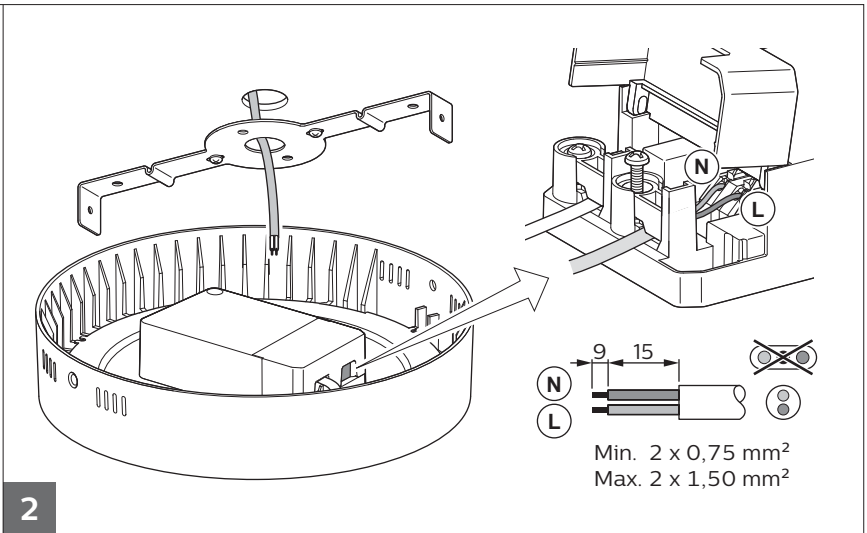
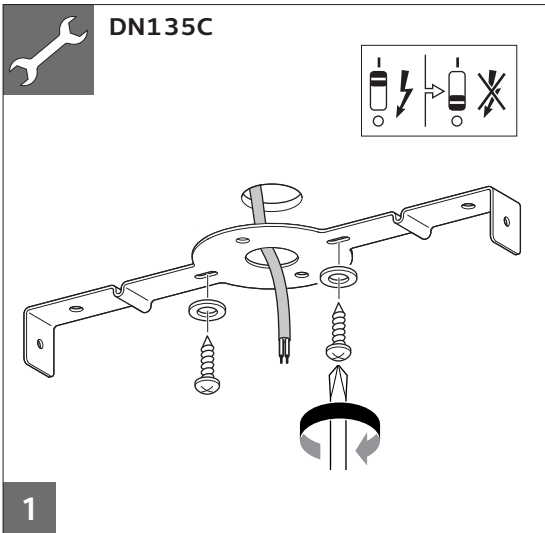
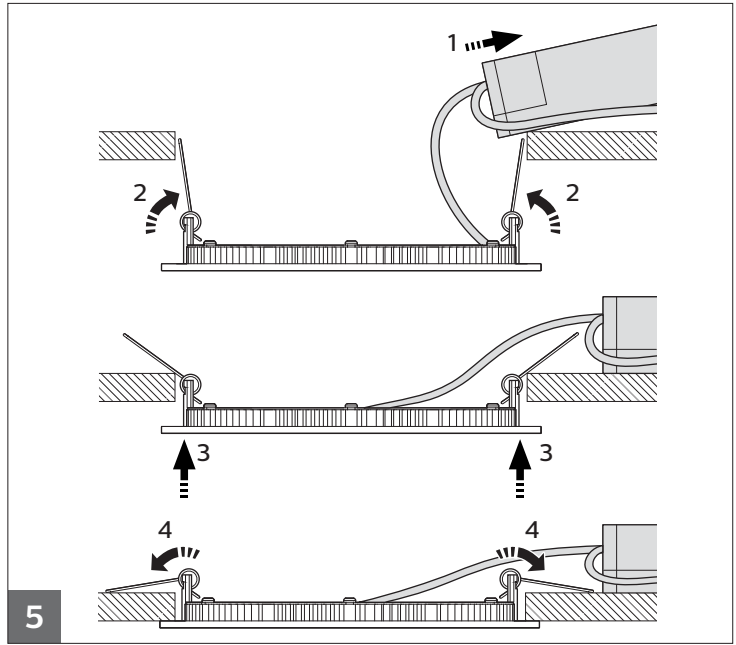
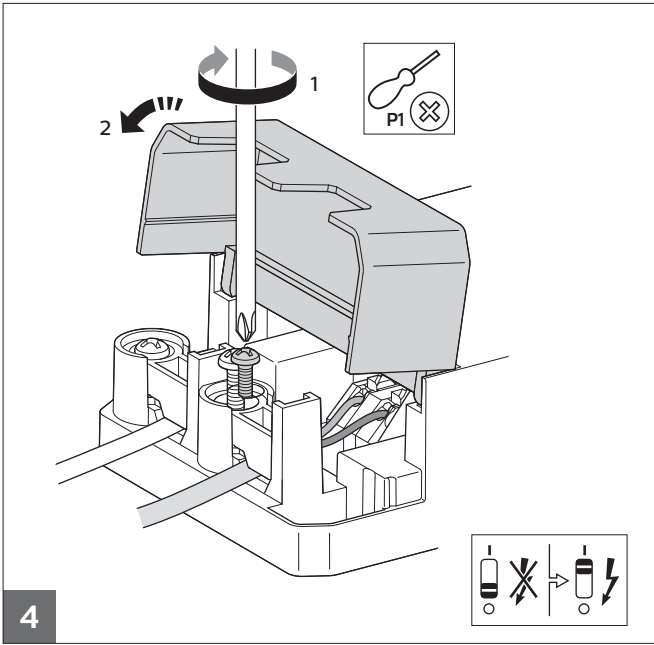
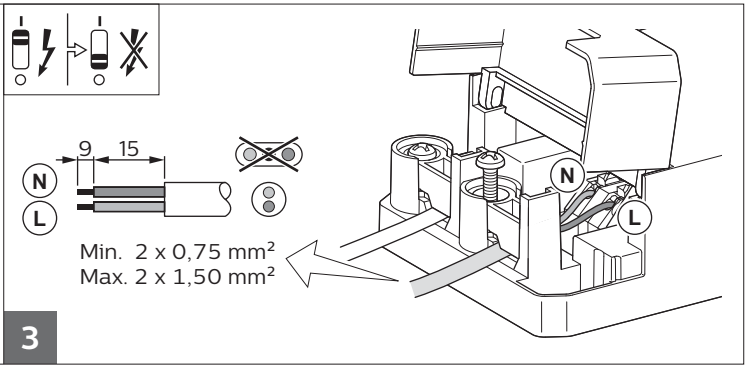
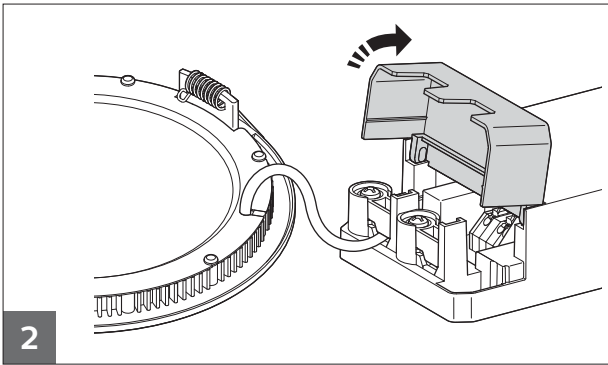
## CoreLine SlimDownlight

DN135



|               | System lumen(lm) | CCT(K)    | Driver | P (W) | Ø mm    | kg    |
|---------------|------------------|-----------|--------|-------|---------|-------|
| DN135B LED6S  | 650              |           | PSR-E  | 9.0   | 68-73   | 0.200 |
| DN135B LED10S | 1000             |           | PSU    | 13.5  | 150-155 | 0.300 |
| DN135B LED20S | 2000             | 3000/4000 | PSU    | 27.6  | 200-205 | 0.600 |
| DN135C LED10S | 1000             |           | PSU    | 13.5  | -       | 0.525 |
| DN135C LED20S | 2000             |           | PSU    | 27.6  | -       | 0.850 |





|                            | 650lm | 1000lm | 2000lm |
|----------------------------|-------|--------|--------|
| Electrical characteristics |       |        |        |
| I <sub>max</sub> (A)       | 7     | 11     | 17     |
| T <sub>ref</sub> (μs)      | 300   | 200    | 250    |
| MCB Downlights Max.        |       |        |        |
| B-10 A                     | 25    | 34     | 17     |
| B-13 A                     | 32    | 44     | 22     |
| B-16 A                     | 40    | 55     | 28     |
| C-10 A                     | 40    | 57     | 29     |
| C-13 A                     | 54    | 74     | 37     |
| C-16 A                     | 68    | 93     | 47     |