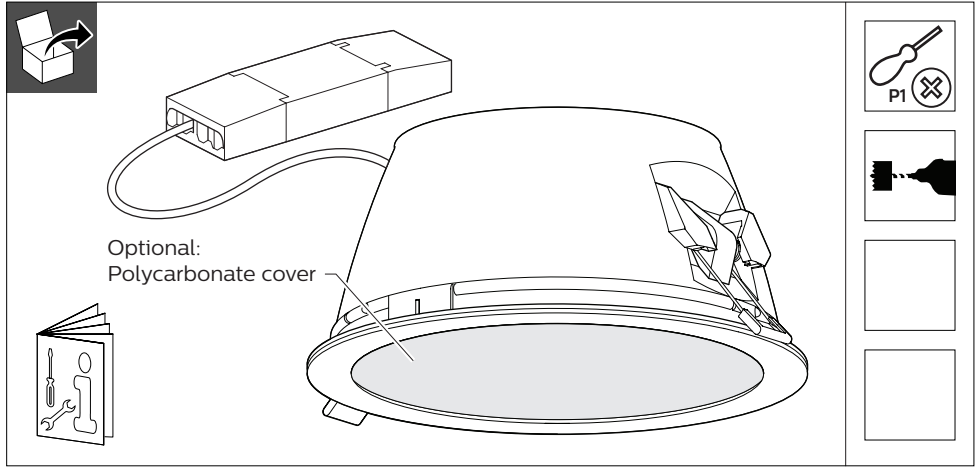


PHILIPS

GreenSpace Downlight

DN460B, DN461B, DN462B,
DN463B, DN470B, DN471B,
DN472B, DN473B



220V
240V

50Hz
60Hz



IP20

IK02

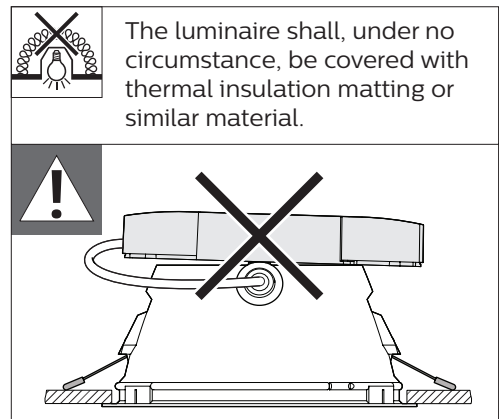
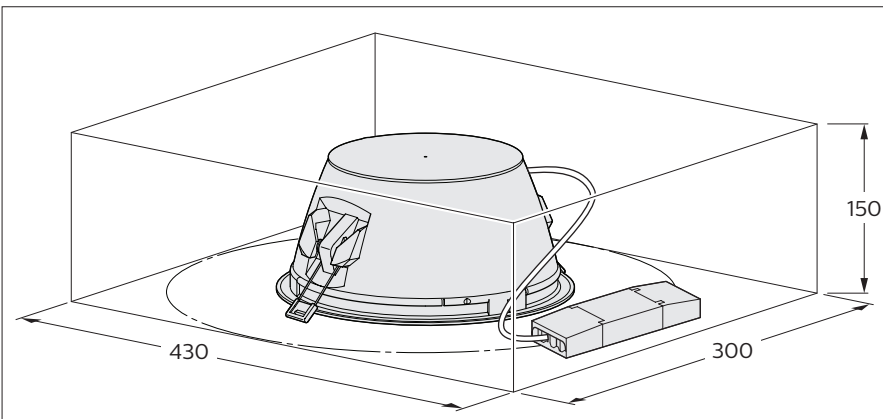
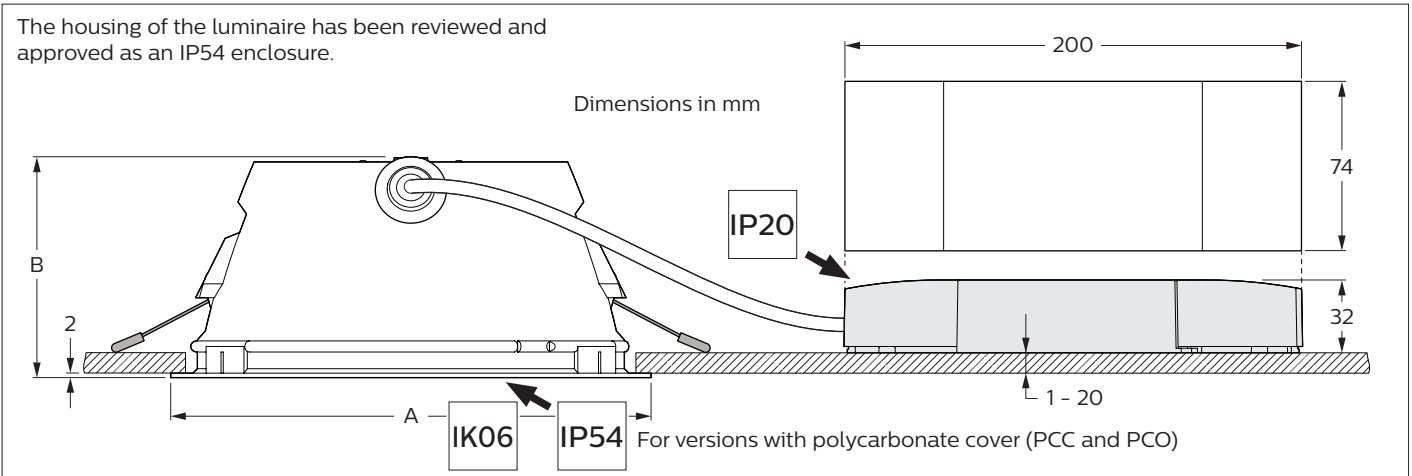
Max.
40 °C
Min.
10 °C

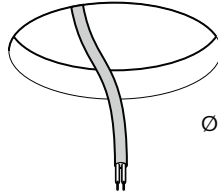
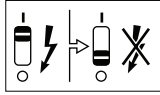
GLOW
WIRE
750 °C



	Lumen (lm)	CCT (K)	P(W)	UGR	IP..	Max. °C Min. °C	A	B	Ø mm	kg
DN460B	1100	830, 840	10	22	20	10/40	166	77	150	0.555
DN461B				19						
DN462B				22						
DN463B	2000	830, 840	18.5	19	54	-15/40	216	94	200	0.825
DN470B				22						
DN471B				19						
DN472B				22						
DN473B				19						

The housing of the luminaire has been reviewed and approved as an IP54 enclosure.



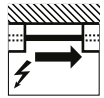
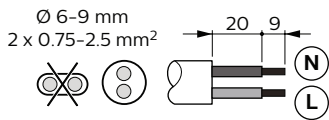
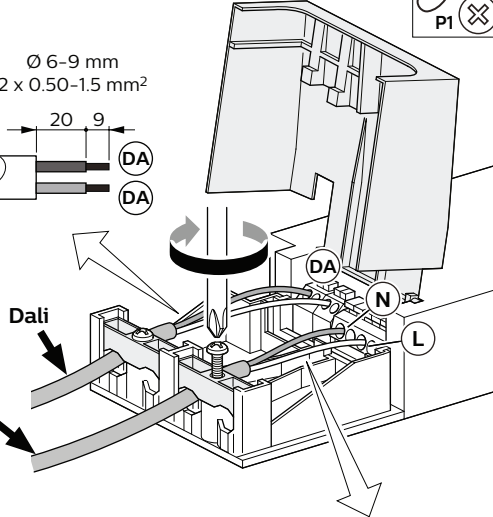
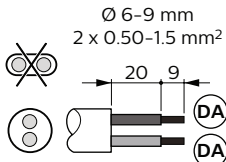


Ø See table on 1st page ⁺⁵₀

1



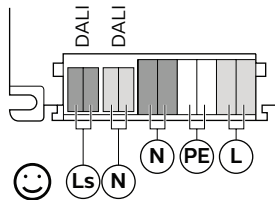
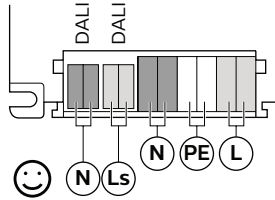
PSED-E



through-wiring possible

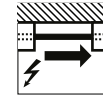
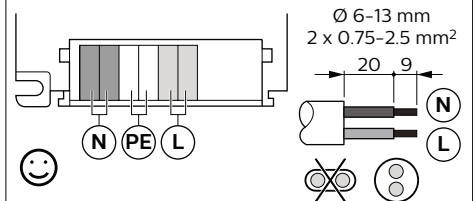
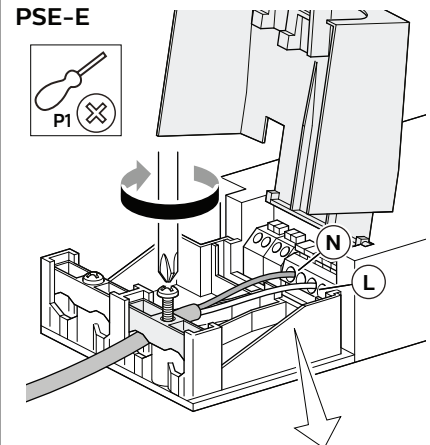
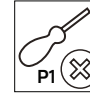
2a

PSED-E Touch & Dim



2b

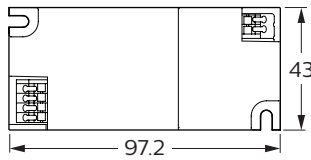
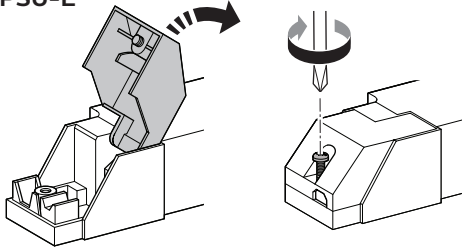
PSE-E



through-wiring possible

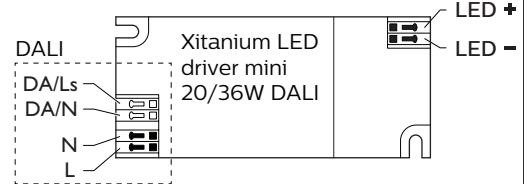
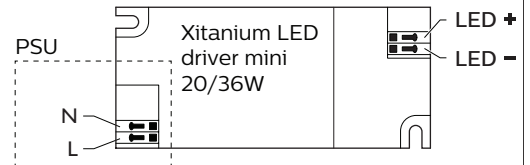
2c

PSU-E

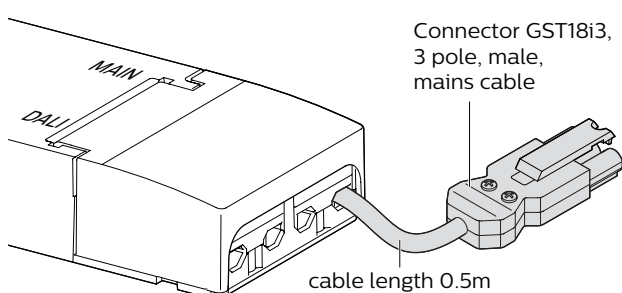


No through-wiring possible

3

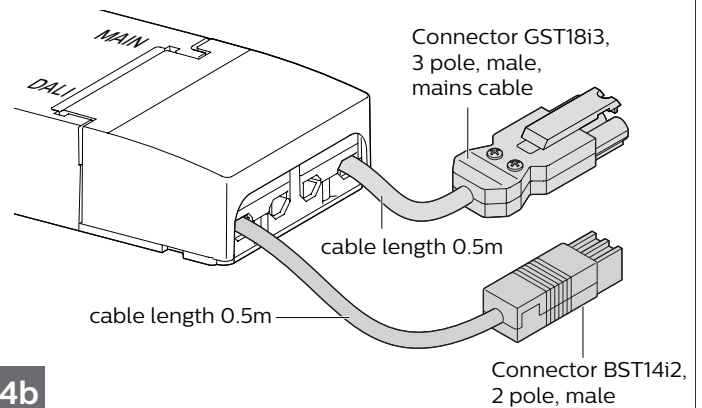


Cable with Wieland connector for PSE-E

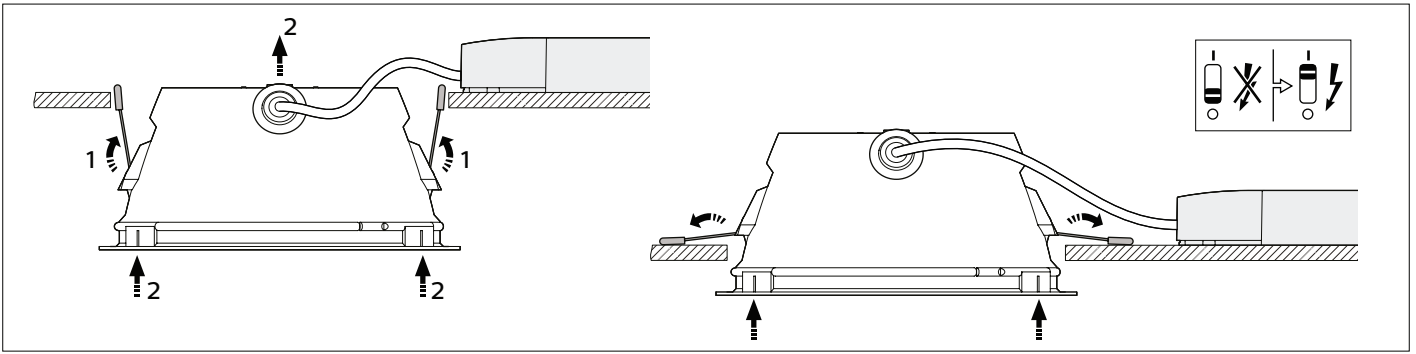


4a

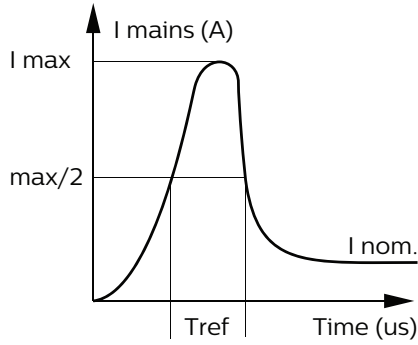
Cable with Wieland connectors for PSED-E



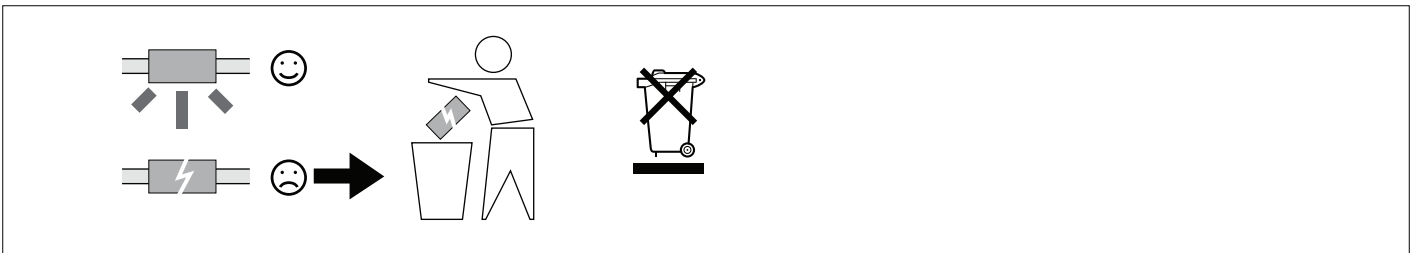
4b



Inrush current



	PSU-E 20W	PSU-E 36W	PSE-E 20W	PSE-E 36W	PSED-E 20W	PSED-E 36W
Electrical characteristics						
I _{max} (A)	18	18	15.8	16	20.4	20.4
T _{ref} (μs)	250	250	224	216	195	195
MCB	No. of driver max.					
B-10 A	21	21	22	22	15	15
B-16 A	34	34	36	36	24	24
C-10 A	35	35	37	37	25	25
C-16 A	57	57	61	61	40	40



- The luminaire shall be installed by a qualified electrician and wired in accordance with the latest IEElectrical regulations or the national requirements.
- Only to be installed outside arms reach as recessed ceiling luminaire.
- "The light source of this luminaire is not replaceable; when the light source reaches its end of life the whole luminaire shall be replaced".



ATTENTION
OBSERVE PRECAUTIONS
FOR HANDLING
ELECTROSTATIC
SENSITIVE
DEVICES



© 2018 Philips Lighting Holding B.V.

All rights reserved. Reproduction in whole or in part is prohibited without the prior written consent of the copyright owner. The information presented in this document does not form part of any quotation or contract, is believed to be accurate and reliable and may be changed without notice. No liability will be accepted by the publisher for any consequence of its use. Publication thereof does not convey nor imply any license under patent- or other industrial or intellectual property rights.

Philips Lighting Holding B.V.
The Netherlands