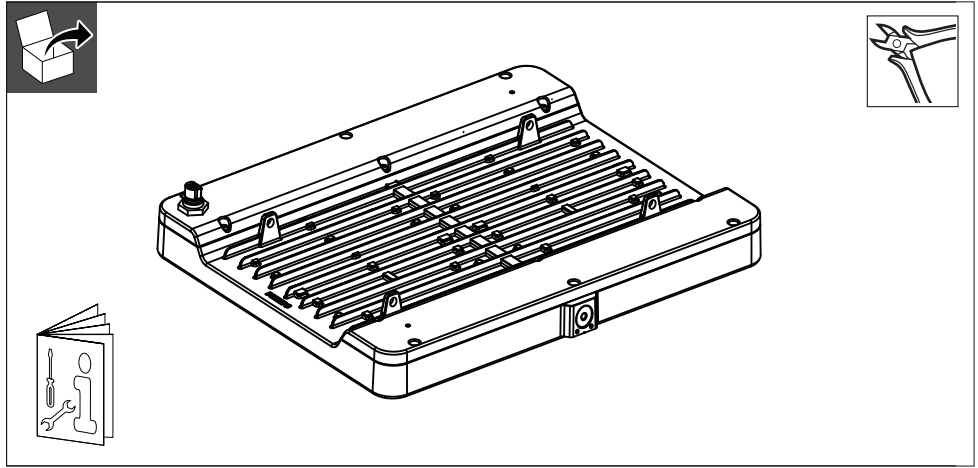


# PHILIPS

## GentleSpace 3

BY480P, BY481P



220V  
240V

50Hz  
60Hz

LEDs



LIFE  
L80B50  
100K hrs

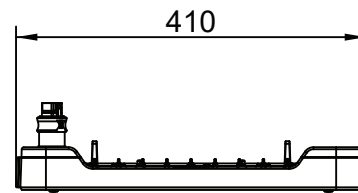
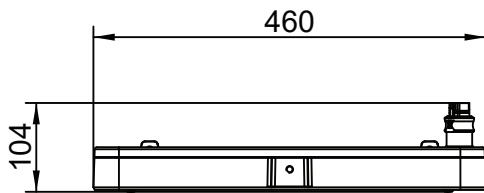
IP65

GLOW  
WIRE  
650 °C

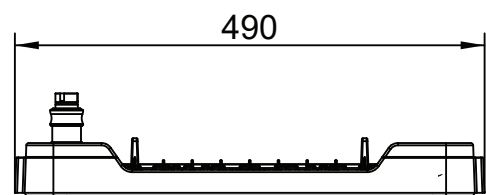
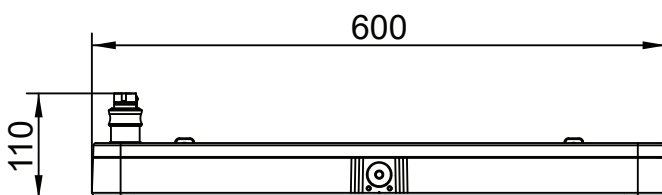


|                        | W   | kg   | IK   | max | min | GreenWarehouse |
|------------------------|-----|------|------|-----|-----|----------------|
| BY480P LED130S         | 84  | 7.9  | IK07 | 45  | -30 |                |
| BY480P LED170S         | 120 | 8    | IK07 | 45  | -30 |                |
| BY481P LED250S         | 162 | 12   | IK07 | 45  | -30 |                |
| BY481P LED350S         | 232 | 12   | IK07 | 45  | -30 |                |
| BY480P LED170S BR      | 120 | 8.5  | IK07 | 45  | -30 |                |
| BY481P LED250S BR      | 162 | 12.9 | IK07 | 45  | -30 |                |
| BY481P LED250S ELXX    | 162 | 12.5 | IK07 | 30  | 0   |                |
| BY481P LED350S ELXX BR | 232 | 13.4 | IK07 | 25  | 0   |                |
| BY480P LED170S PC      | 120 | 7.2  | IK08 | 45  | -30 |                |
| BY481P LED250S PC      | 162 | 11   | IK08 | 45  | -30 |                |
| BY480X LED130S         | 84  | 8.4  | IK02 | 45  | -30 | ●              |
| BY480X LED170S         | 120 | 8.5  | IK02 | 45  | -30 | ●              |
| BY481X LED250S         | 162 | 12.5 | IK02 | 45  | -30 | ●              |
| BY481X LED350S         | 232 | 12.5 | IK02 | 45  | -30 | ●              |

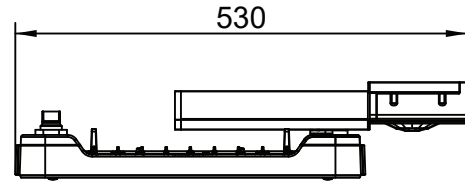
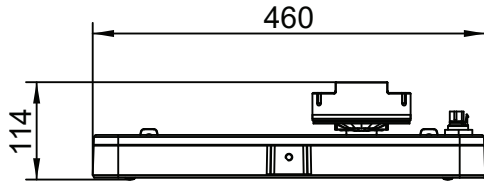
BY480P



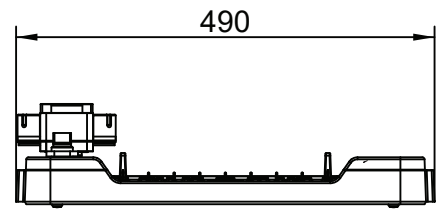
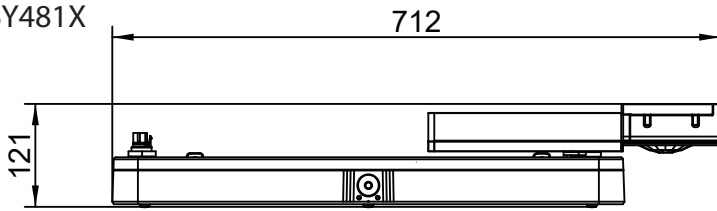
BY481P



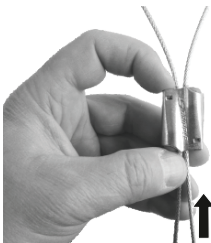
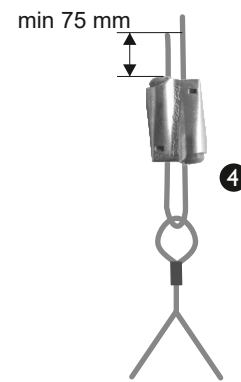
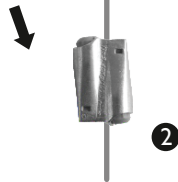
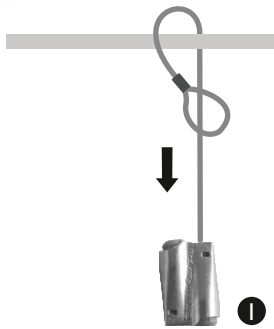
BY480X



BY481X



SMT Standard suspension set

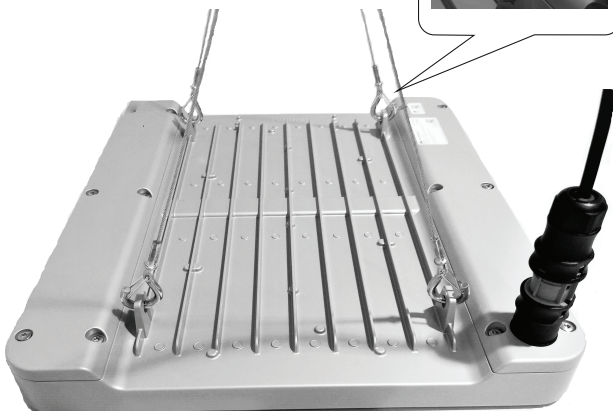


Press button on Express fastener to release

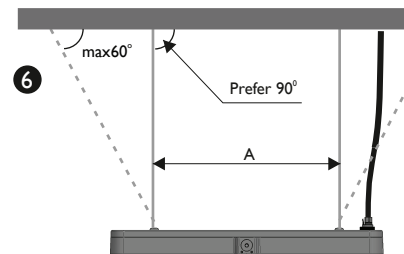


Slide Express fastener up or down on cable to adjust height or release

5



Connect the luminaire to the suspension set



| Distance between the hooks |        |        |
|----------------------------|--------|--------|
|                            | BY480P | BY481P |
| A [mm]                     | 350    | 495    |

7

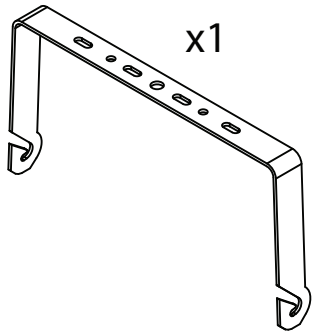


Make sure the load is supported

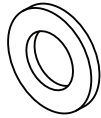


# Mounting bracket set

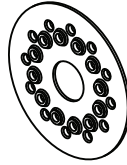
## Mounting bracket set content



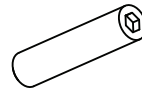
x1



x2



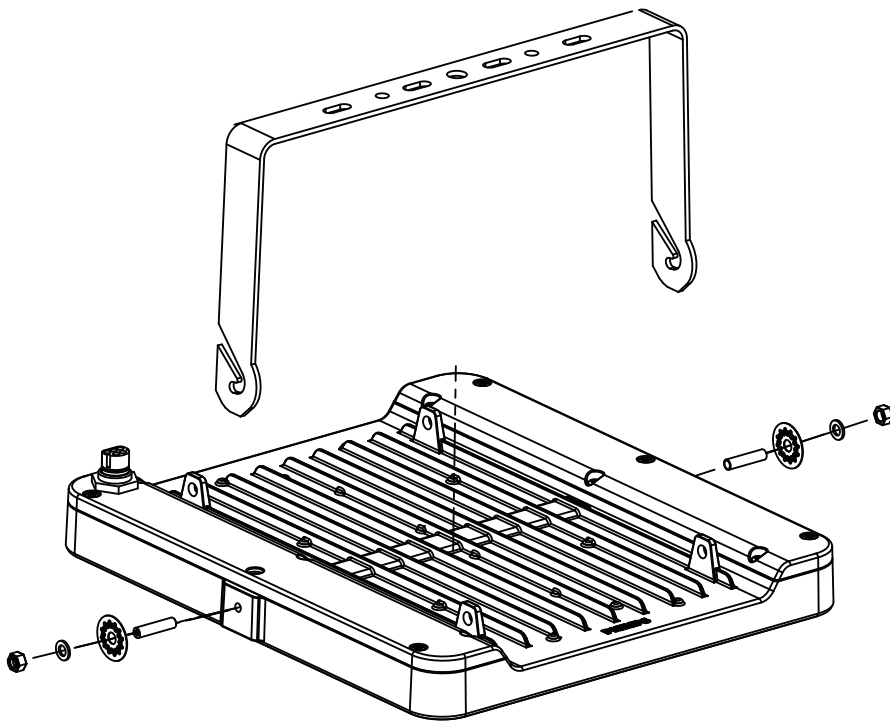
x2



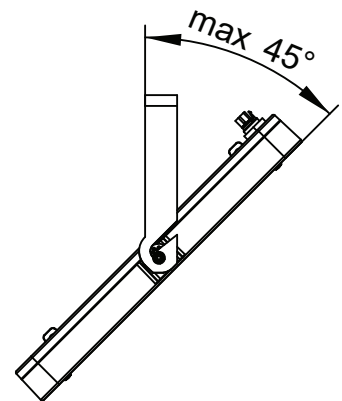
x2



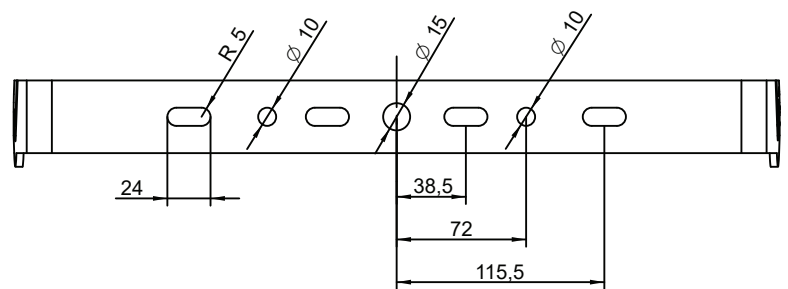
x2



**16Nm**  
tightening torque  
for all Mounting Bracket screws  
in standard applications



### BY480P



### BY481P

