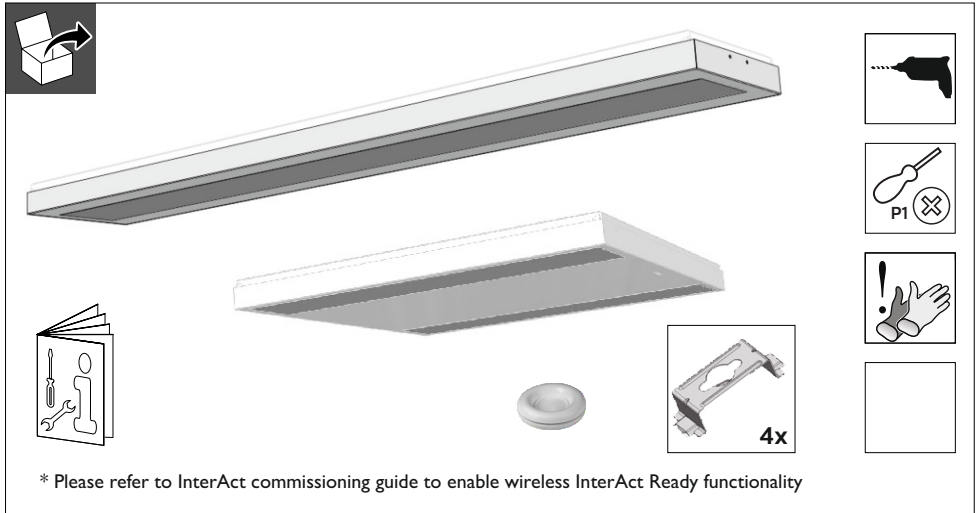


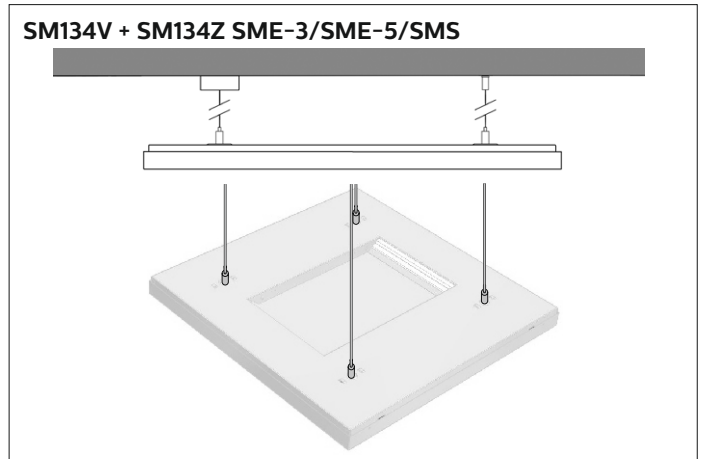
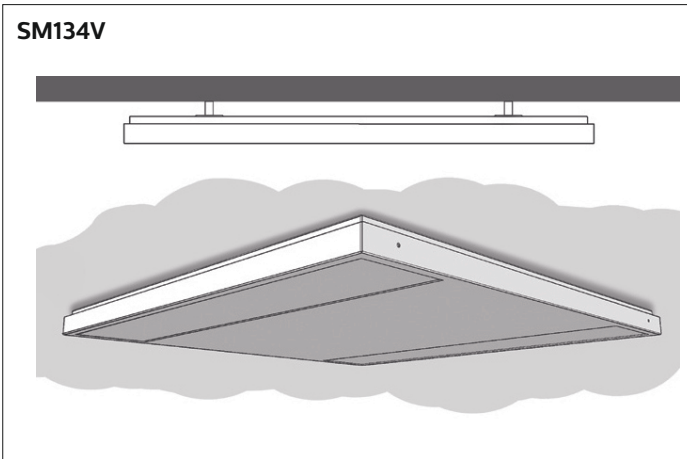
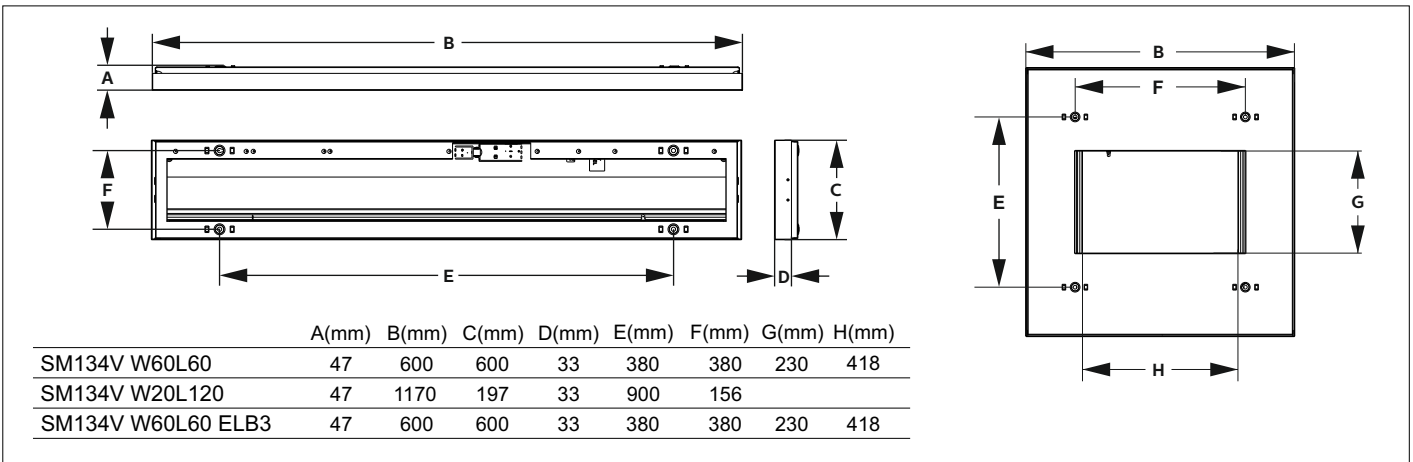
PHILIPS

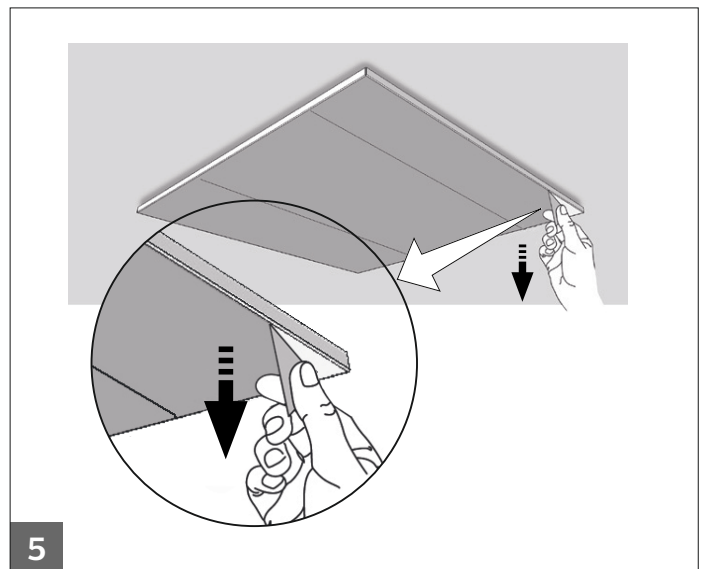
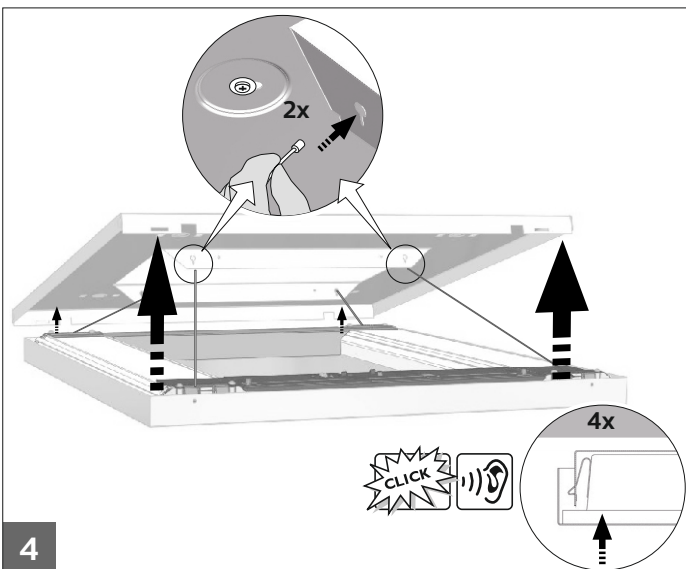
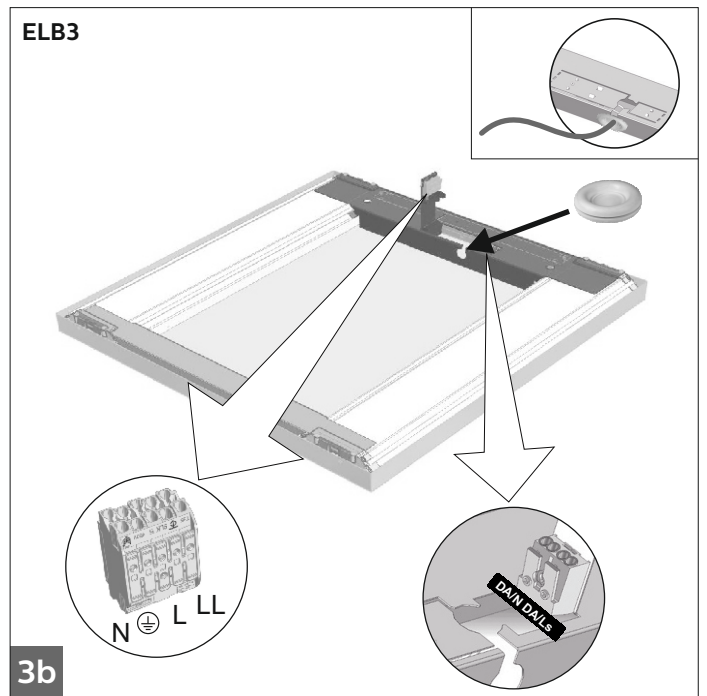
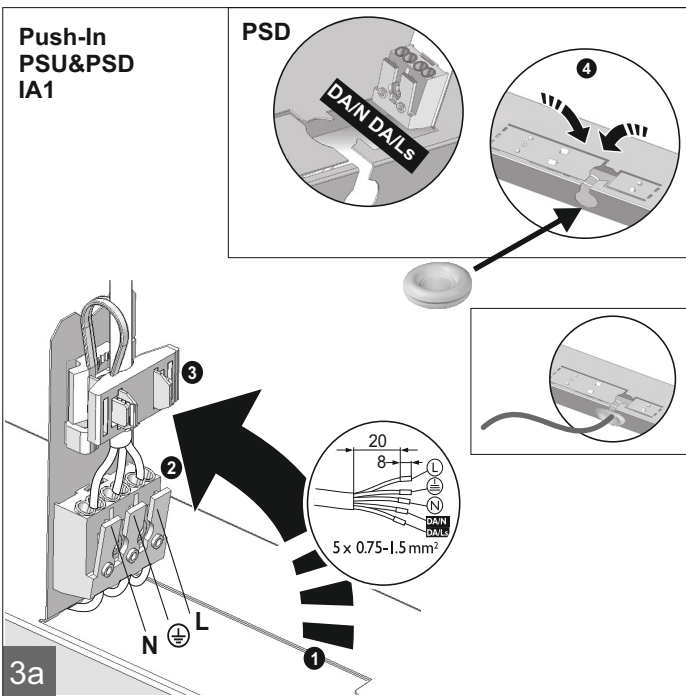
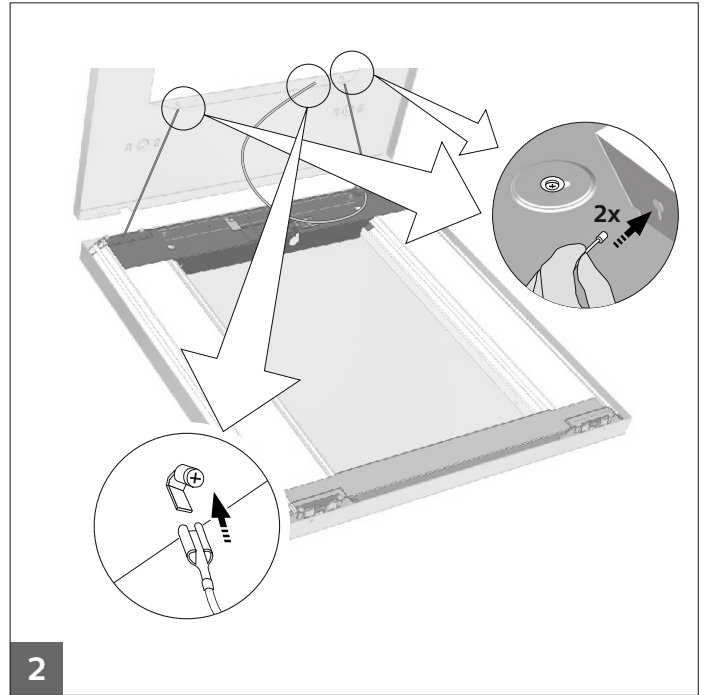
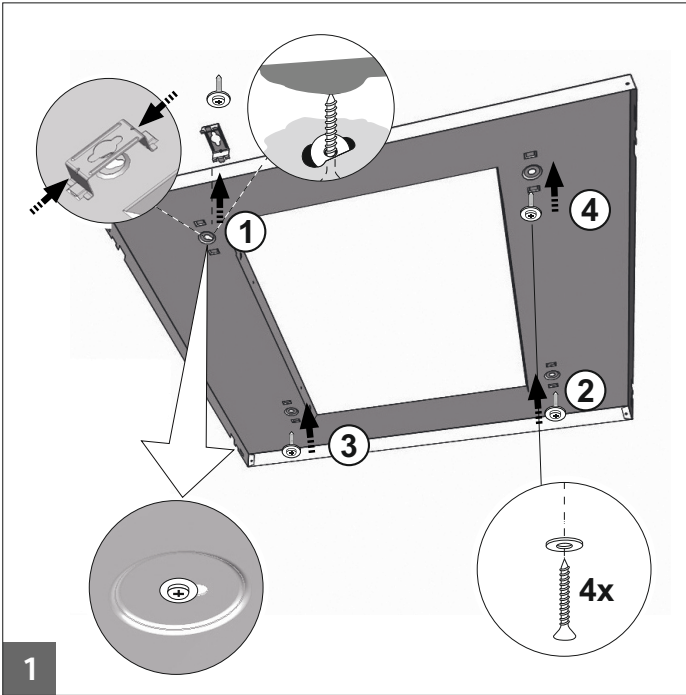
CoreLine Surface-mounted

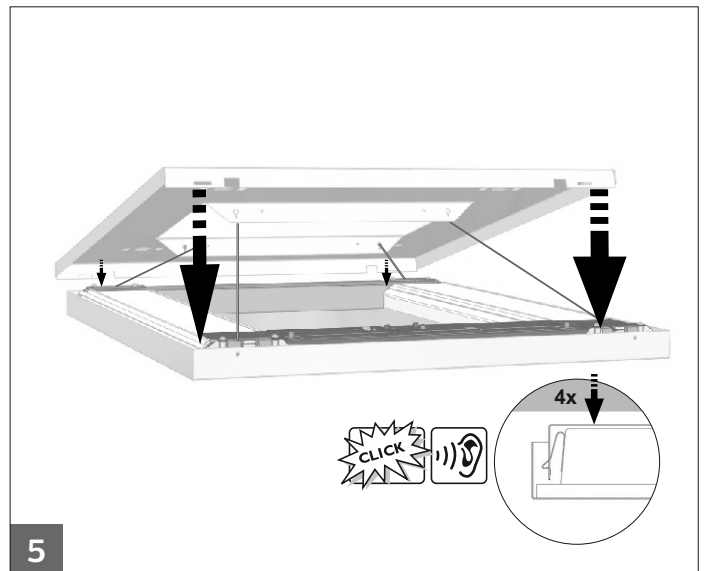
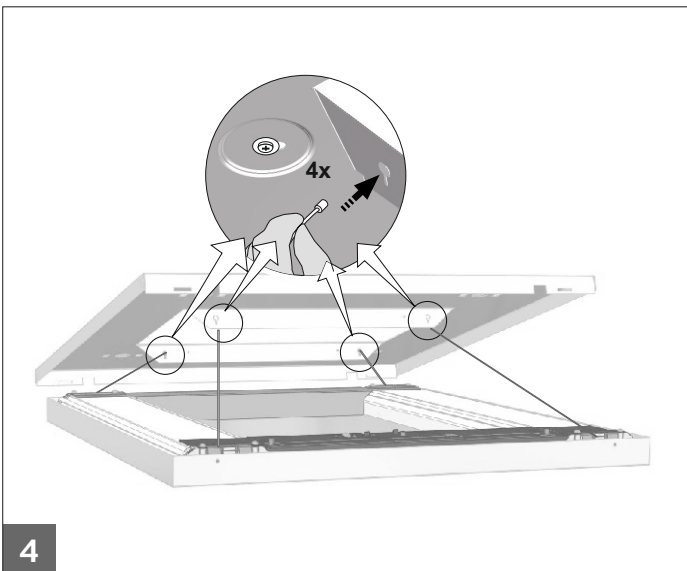
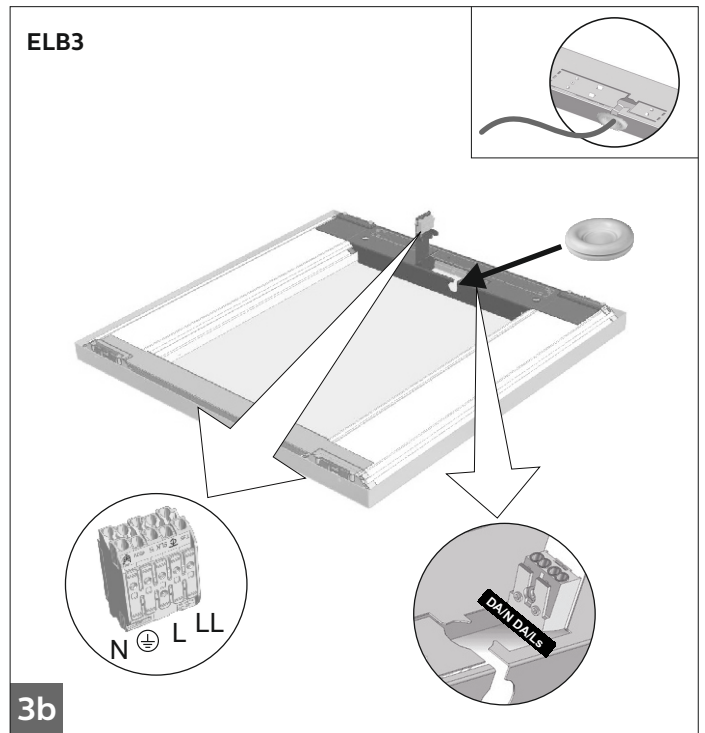
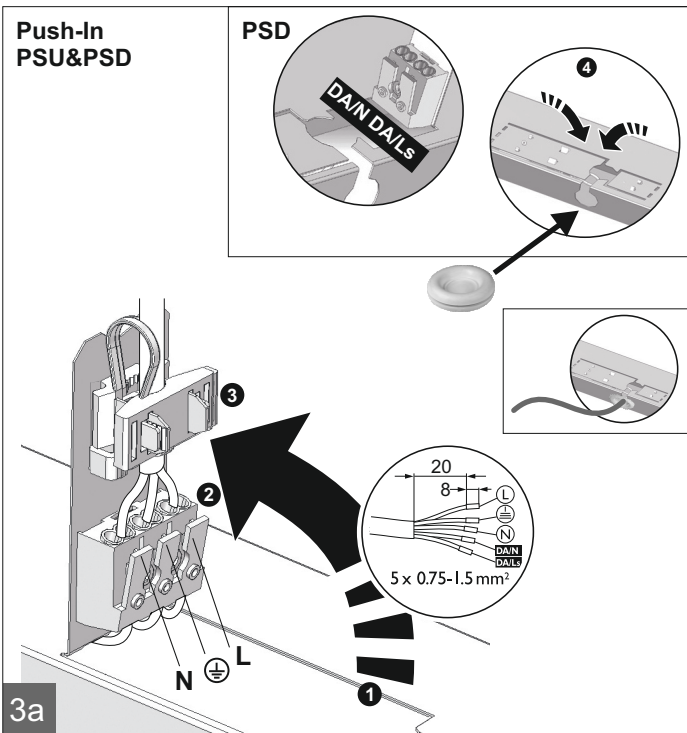
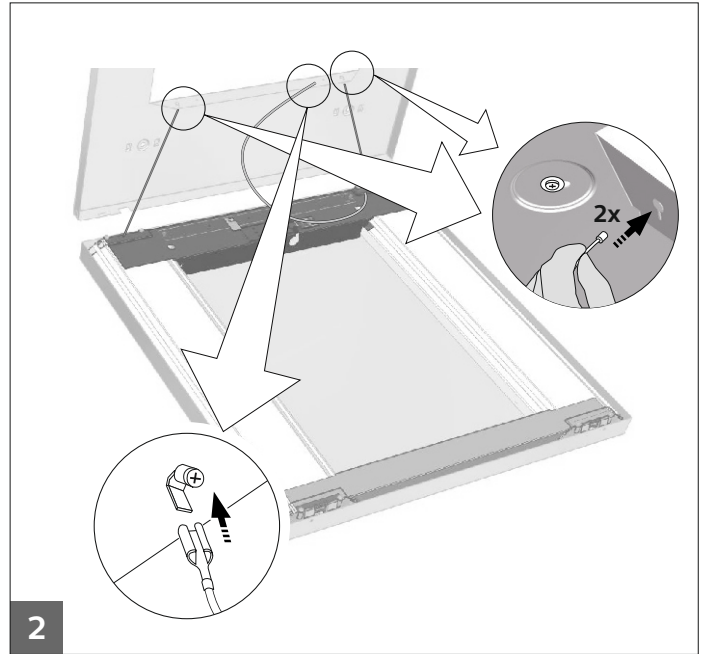
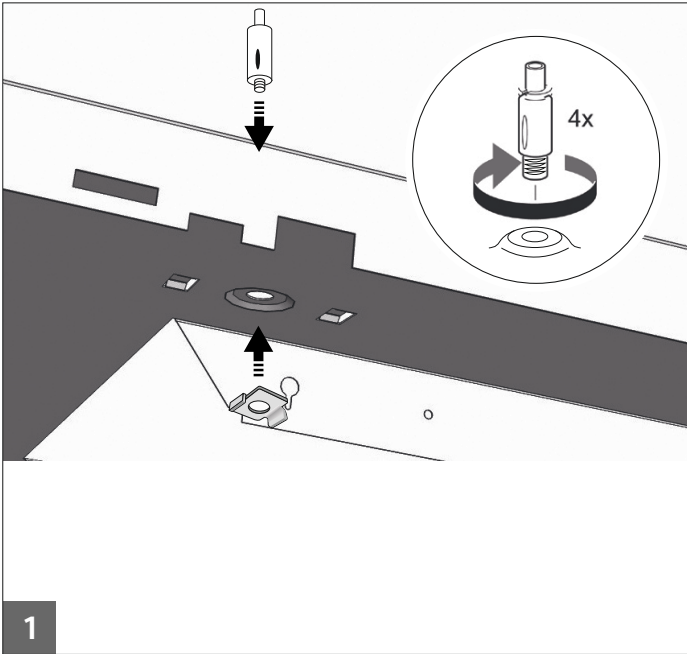
SM134V

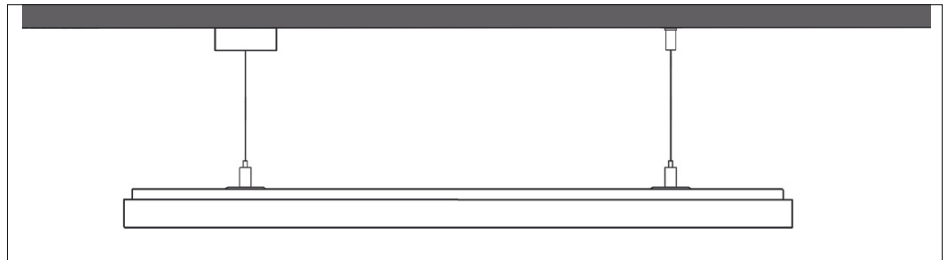
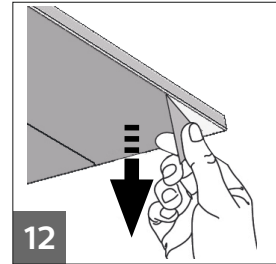
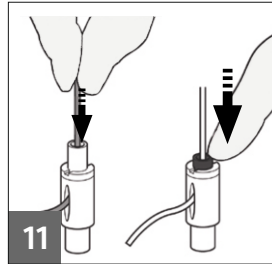
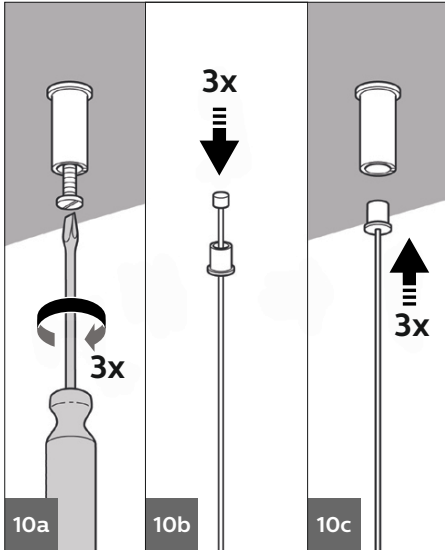
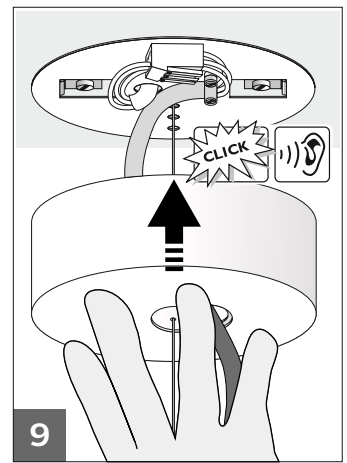
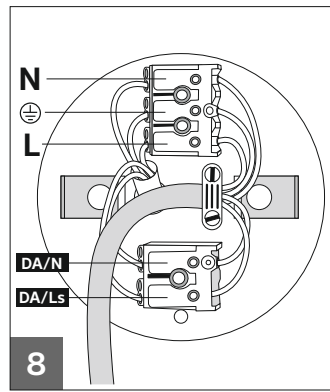
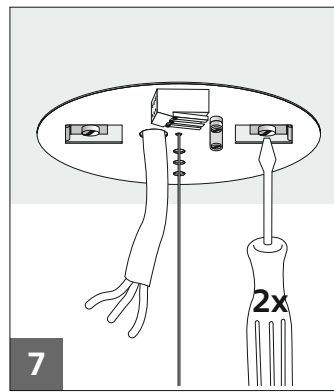
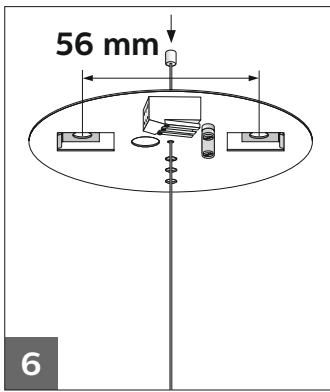


	LED27S/840 PSU P (W)	LED27S/830 PSU P (W)	LED27S/840 PSD P (W)	LED27S/830 PSD P (W)	LED37S/840 PSU P (W)	LED37S/830 PSU P (W)	LED37S/840 PSD P (W)	LED37S/830 PSD P (W)	LED37S/830/840 IA1 P (W)	kg
SM134V W60L60 OC			22.0	23.0	30.5	34.5	31.5	31.5	35.5	4.0
SM134V W60L60 NOC	27.0	28.5	26.5	30.5	34.0	34.0	35.5	35.5	35.5	4.0
SM134V W20L120 OC			22.0	23.0	30.5	34.5	31.5	31.5	35.5	3.4
SM134V W20L120 NOC	27.0	28.5	26.5	30.5	34.0	34.0	35.5	35.5	35.5	3.4
SM134V W60L60 ELB3 OC			25.5				35.0		39.5	4.7
SM134V W60L60 ELB3 NOC	30.5		30.5		38.0		39.0		39.5	4.7
SM134V W20L120 ELB3 OC			25.5				35.0		39.5	4.0
SM134V W20L120 ELB3 NOC	30.5	32.0		34.0	38.0	38.0	39.0	39.0	39.5	4.0

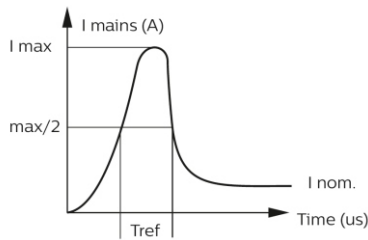








Inrush current

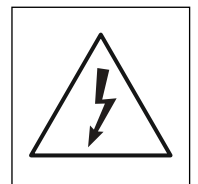
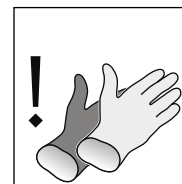


	LED27S/840 PSU NOC	LED27S/830 PSU NOC	LED27S/840 PSD LED27S/830 PSD	LED37S/840 PSU NOC LED37S/830 PSU NOC	LED37S/840 PSU OC	LED37S/840 PSD LED37S/830 PSD	LED37S/840 IA1 LED37S/830 IA1
I _{max} (A)	8	14	14.7	5.3	19	22	22
T _{ref} (μs)	60	250	250	70	280	275	270
B-10 A	15	20	23	15	15	15	13
B-13 A	19	26	30	19	19	19	17
B-16 A	24	33	38	24	24	24	22
B-20 A	30	41	47	30	30	30	27
B-25 A	37	51	59	37	37	37	34
C-10 A	24	34	39	24	24	24	22
C-13 A	32	44	51	32	32	32	29
C-16 A	40	56	64	40	40	40	37
C-20 A	49	68	79	49	49	49	45
C-25 A	62	85	98	62	62	62	57

Maintenance instructions

To assure the lighting quality of this unique LED lighting concept there are a few instructions regarding the maintenance of this LED luminaire:

- Do not touch electronic components!
Electronic components are under high voltage.
Electronic components are ESD sensitive.
- During installation or when maintaining the luminaire please use protective gloves.
- To remove dirt and spots use the following:
 - o Dust: only use micro fiber cloths
 - o Fingerprints, etc.: use a cleaner for synthetic materials with antistatic properties.
- Do not stare into the LED light beam.
- To avoid scratches and dirt on optical parts remove protective foil after installation.
- The luminaire shall be installed by a qualified electrician and wired in accordance with the latest IEE electrical regulations or the national requirements.
- The light source is not replaceable. In case of damage replace the luminaire.
- Driver insulation: Basic according to IEC 61347-1.



© 2019 Signify Holding.

All rights reserved. This document contains information relating to the product portfolio of Signify which information may be subject to change. No representation or warranty as to the accuracy or completeness of the information included herein is given and any liability for any action in reliance thereon is disclaimed. The information presented in this document is not intended as any commercial offer and does not form part of any quotation or contract. Philips and the Philips Shield Emblem are registered trademarks of Koninklijke Philips N.V.. All other trademarks are owned by Signify Holding or their respective owners.

Signify Holding.
The Netherlands

4427 103 25841

© 01/2019 Signify Holding. All rights reserved