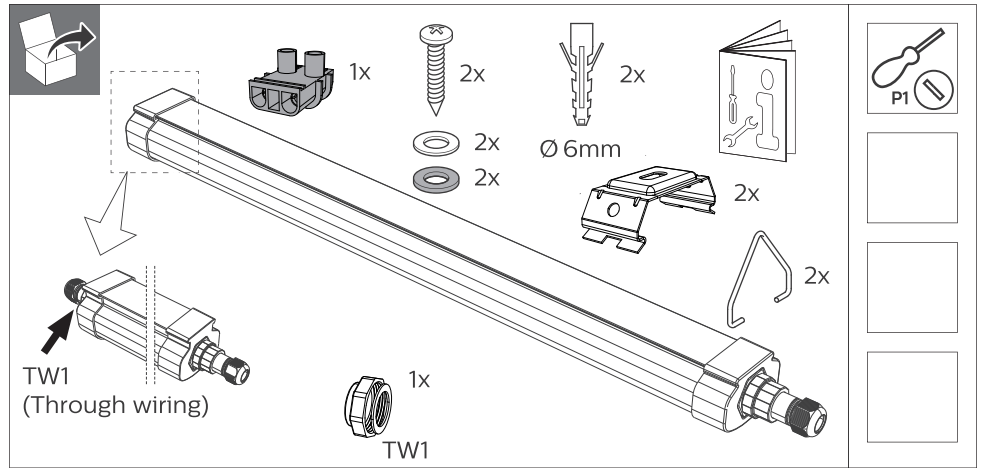


# PHILIPS

## Ledinaire Waterproof

### WT060C



50Hz  
60Hz

220V  
240V

LIFE  
L65  
50K hrs

IP65

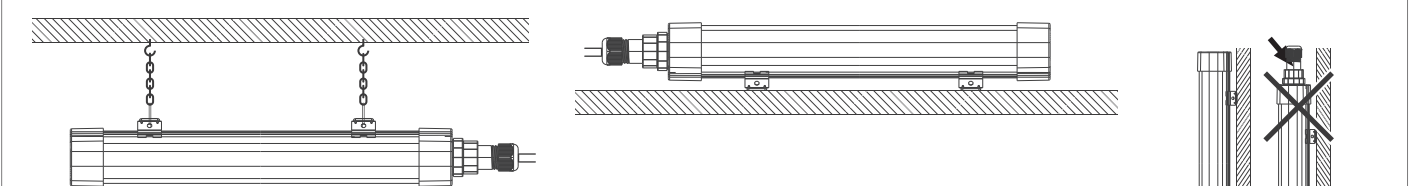
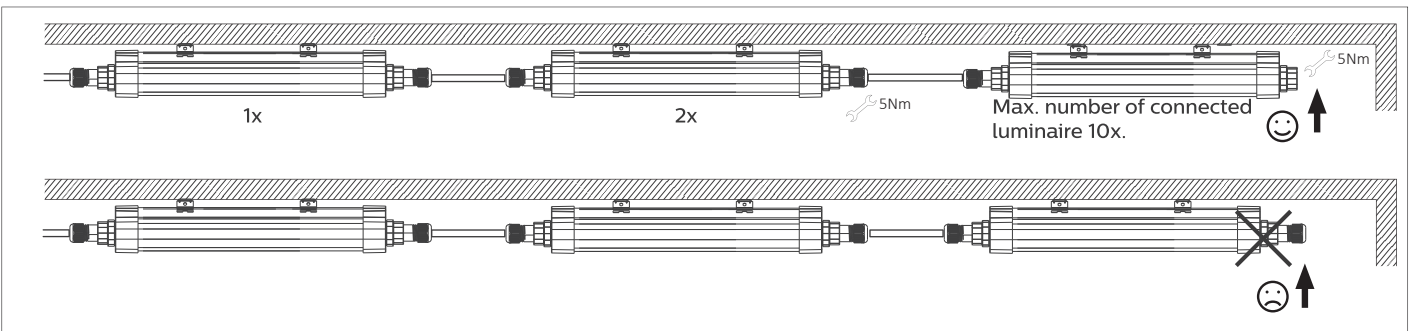
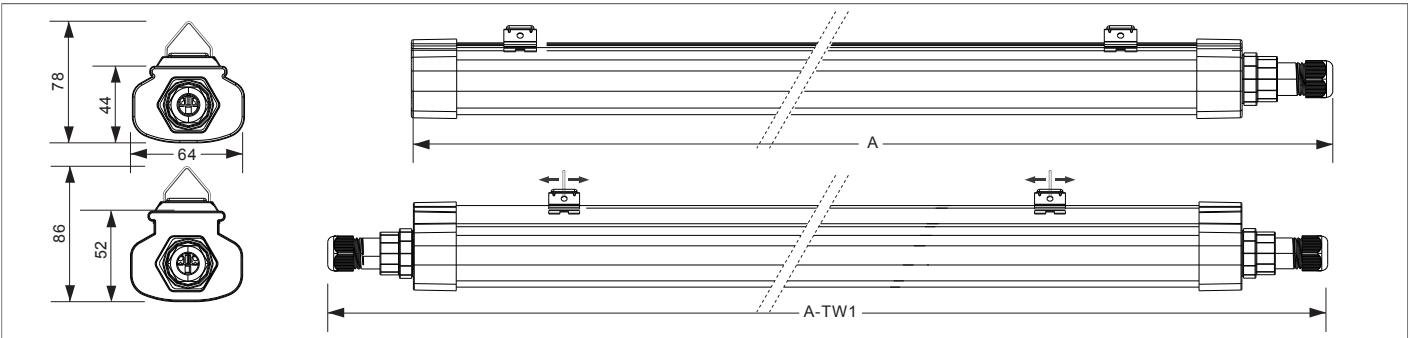
IK08

Ta  
40 °C  
-20 °C

GLOW  
WIRE  
850 °C

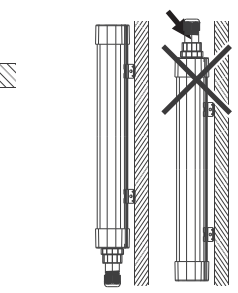


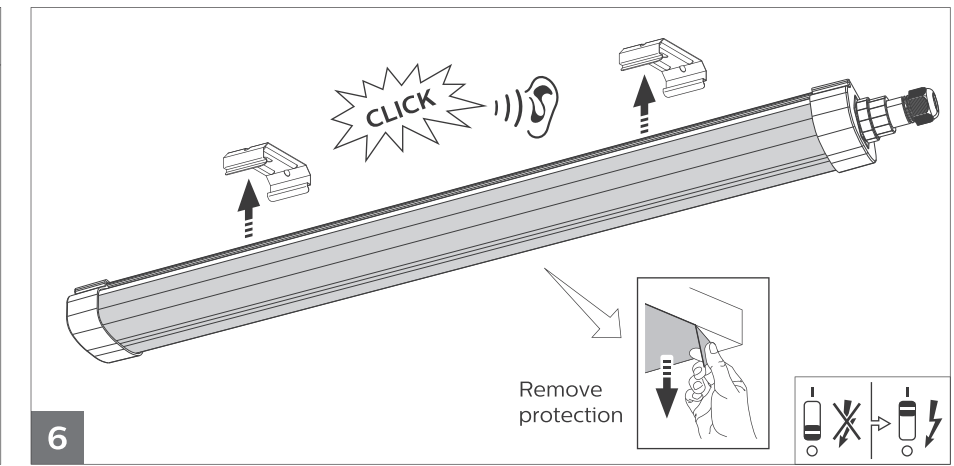
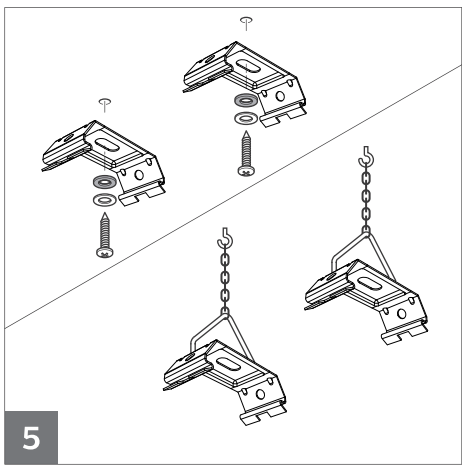
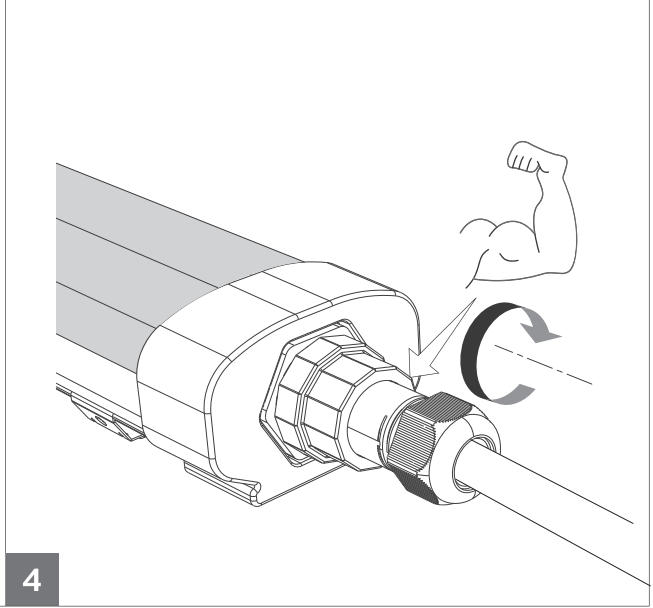
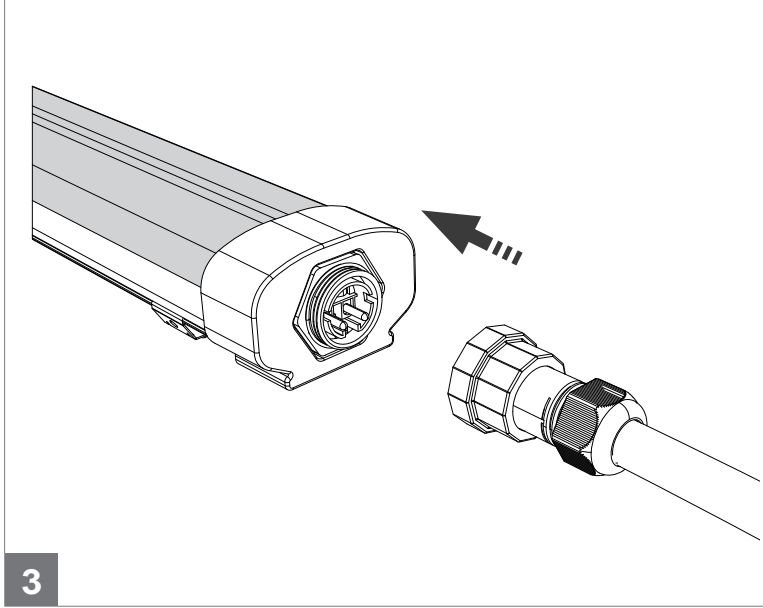
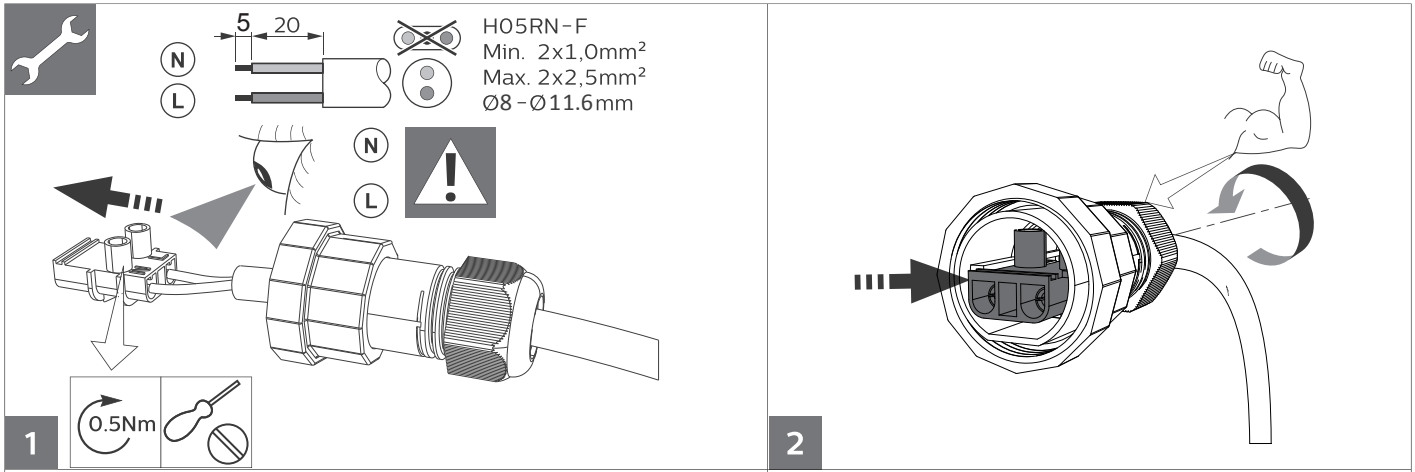
		System lumen (Lm)	CCT	P(W)	A	A-TW1	
WT060C LED18S/840 PSU L600	-	-	-	-	627	-	0.21
WT060C LED18S/840 PSU TW1 L600	•	1800	-	16.5	-	689	0.30
WT060C LED36S/840 PSU L1200	-	-	-	-	1186	-	0.39
WT060C LED36S/840 PSU TW1 L1200	•	3600	4000k	33	-	1249	0.51
WT060C LED56S/840 PSU L1500	-	-	-	-	1466	-	0.47
WT060C LED56S/840 PSU TW1 L1500	•	5600	-	51	-	1529	0.58



- The luminaire shall be installed by a qualified electrician and wired in accordance with the latest IEE electrical regulations or the national requirements.
- LED board & led driver are not serviceable and not replaceable.
- The light source of this luminaire is not replaceable; when the light source reaches its end of life the whole luminaire shall be replaced

**ATTENTION**  
OBSERVE PRECAUTIONS  
FOR HANDLING  
ELECTROSTATIC  
SENSITIVE  
DEVICES





### Inrush current

	LED18S	LED36S	LED56S
Electrical characteristics			
Inom (mA)	75	150	235
Imax (A)	37	37	37
Tref (µs)	1	1	1
MCB Luminaire Max.			
B-10 A	10	10	10
B-16 A	10	10	10
C-10 A	10	10	10
C-16 A	10	10	10