

Digital Cinema Xenon N-type lamps

NEC digital cinema projectors

Digital Xenon Cinema N-type lamps are ideal for today's demanding 3D and 2D digital cinema presentations. They are especially designed for NEC projectors. There is a choice of three power ratings in the N-type Digital Cinema Xenon lamps range: 4000W, 4500W or 6000W. There is also a choice of three power ratings in the NH-type Digital Helios lamps range: 2000W, 300W, and 4200W. All these lamps produce the very high light output needed to maximize screen brightness and enhance the dramatic effect for the viewer. These long-life digital lamps also provide constant color temperature characteristics, and meet all of the stringent arc-stability requirements for consistent customer satisfaction. In addition to N-type Digital Cinema Xenon lamps there are B-, C-, S-, and TA-type Digital Cinema Xenon lamps. These are all individually customized per projector, so there is a different, perfect-fitting lamp for each projector model to ensure optimized projector performance.

Benefits

- Increased brightness on the screen
- Optimum projector performance
- Constant color temperature
- High arc stability and long life

Features

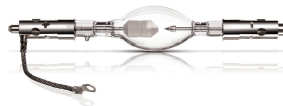
- Higher light output than standard lamps
- Customized by projector model
- Pure xenon fill gas
- Proprietary, advanced electrode design

Application

- Cinema projection

NEC digital cinema projectors

Versions

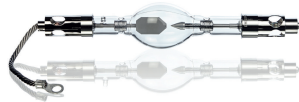
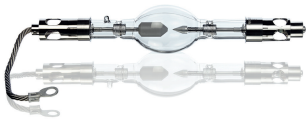


XDC 4500 N

XDC 4000 N

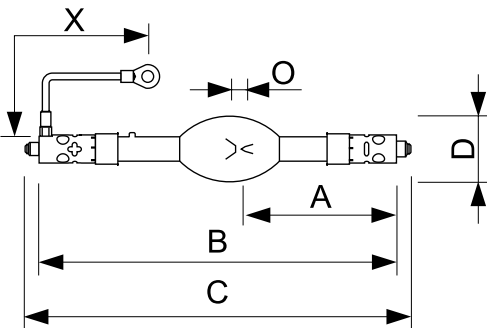
XDC 6000 N

XDC 4002 N

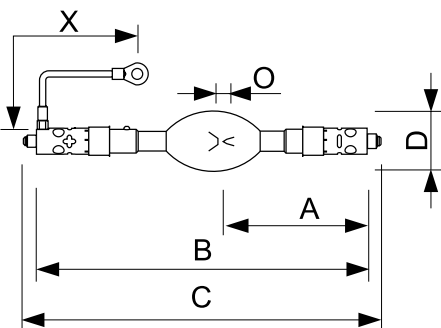


XDC 3000NL

Dimensional drawing



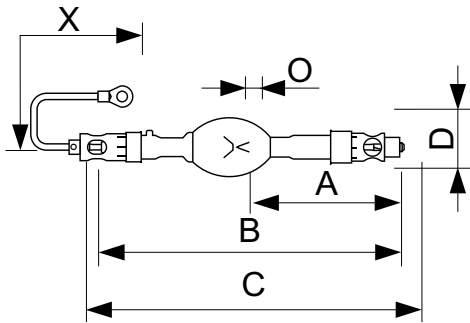
| Product | O | D | X | B (max) | C (max) | A |
|------------|--------|-------|--------|---------|---------|----------|
| XDC 4500NL | 6.0 mm | 70 mm | 220 mm | 387 mm | 425 mm | 171 mm |
| XDC 4500 N | 6.0 mm | 70 mm | 220 mm | 387 mm | 425 mm | 171.5 mm |



| Product | O | D | X | B (max) | C (max) | A |
|------------|--------|-------|--------|---------|---------|----------|
| XDC 6000NL | 7.5 mm | 70 mm | 220 mm | 387 mm | 425 mm | 171 mm |
| XDC 7000N | 7.8 mm | 70 mm | 220 mm | 387 mm | 425 mm | 171.5 mm |
| XDC 6000 N | 7.5 mm | 70 mm | 220 mm | 387 mm | 425 mm | 171.5 mm |

NEC digital cinema projectors

Dimensional drawing



| Product | O | D | X | B (max) | C (max) | A |
|------------|--------|-------|--------|---------|---------|--------|
| XDC 3000NL | 5.5 mm | 60 mm | 306 mm | 306 mm | 336 mm | 144 mm |
| XDC 4000NL | 5.0 mm | 60 mm | 160 mm | 306 mm | 336 mm | 144 mm |
| XDC 4002N | 6.1 mm | 60 mm | 160 mm | 306 mm | 336 mm | 144 mm |
| XDC 4001 N | 6.8 mm | 60 mm | 160 mm | 306 mm | 336 mm | 144 mm |
| XDC 4000 N | 4.9 mm | 60 mm | 160 mm | 306 mm | 336 mm | 144 mm |

Operating and Electrical

| Order Code | Full Product Name | Lamp Current Span | Lamp Current (Nom) | Voltage (Nom) | Power (Rated) (Nom) |
|--------------|-------------------|-------------------|--------------------|---------------|---------------------|
| 928415406201 | XDC 4500 N | 100/150 A | 140 A | 33 V | 4500 W |
| 928415506301 | XDC 4001 N | 100/135 A | 125 A | 32 V | 4001 W |
| 928415406301 | XDC 4000 N | 105/135 A | 125 A | 32 V | 4000 W |
| 928416806201 | XDC 6000 N | 110/160 A | 155 A | 40 V | 6000 W |
| 928420006301 | XDC 7000N | 85/180 A | 170 A | 41 V | 7000 W |

| Order Code | Full Product Name | Lamp Current Span | Lamp Current (Nom) | Voltage (Nom) | Power (Rated) (Nom) |
|--------------|-------------------|-------------------|--------------------|---------------|---------------------|
| 928418006301 | XDC 4002N | 95/125 A | 125 A | 32 V | 4002 W |
| 928419606301 | XDC 3000NL | 45-110 A | 100 A | 30 V | 3000 W |
| 928419706301 | XDC 4000NL | - | - | - | - |
| 928419806301 | XDC 4500NL | - | - | - | - |
| 928419906301 | XDC 6000NL | - | - | - | 6000 W |

General Information

| Order Code | Full Product Name | Nominal Lifetime (Nom) | Main Application | Operating Position |
|--------------|-------------------|------------------------|------------------|--------------------|
| 928415406201 | XDC 4500 N | 900 h | Cinema | P15 |
| 928415506301 | XDC 4001 N | 1500 h | Cinema | P15 |
| 928415406301 | XDC 4000 N | 650 h | Cinema | P15 |
| 928416806201 | XDC 6000 N | 600 h | Cinema | P15 |
| 928420006301 | XDC 7000N | 300 h | Cinema | P15 |

| Order Code | Full Product Name | Nominal Lifetime (Nom) | Main Application | Operating Position |
|--------------|-------------------|------------------------|------------------|--------------------|
| 928418006301 | XDC 4002N | 1000 h | Cinema | P15 |
| 928419606301 | XDC 3000NL | 1700 h | Cinema | P5 |
| 928419706301 | XDC 4000NL | - | - | - |
| 928419806301 | XDC 4500NL | - | - | - |
| 928419906301 | XDC 6000NL | - | - | - |

