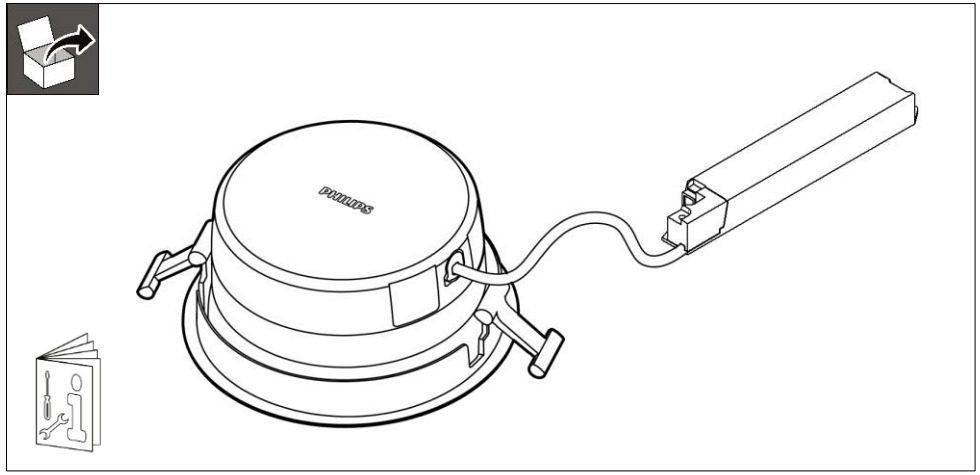


PHILIPS

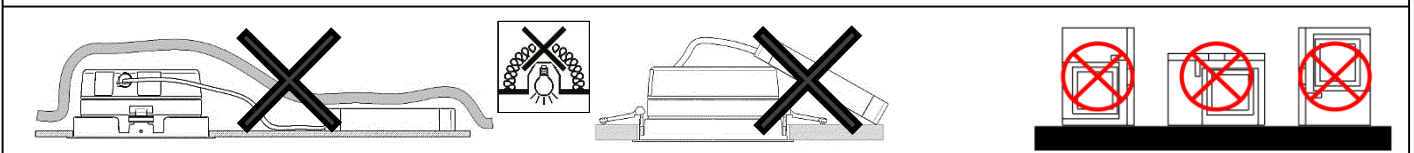
LUXSPACE

DN56*B/DN57*B PoE



	LEDs	A	B	C	T° K	P ± 10%	kg
DN560B/DN561B	LED12S	250mm	550mm	≥3mm	830	9,2 W	0,72 kg
DN560B/DN561B	LED12S	300mm	700mm	≥3mm	840	8,7 W	0,72 kg
DN570B/DN571B	LED12S	300mm	700mm	≥3mm	830	9,7 W	1,17 kg
DN570B/DN571B	LED12S	300mm	700mm	≥3mm	840	9,2 W	1,17 kg
DN570B/DN571B	LED20S	300mm	700mm	≥3mm	830	16,2 W	1,17 kg
DN570B/DN571B	LED20S	300mm	700mm	≥3mm	840	15,4 W	1,17 kg
DN570B/DN571B	LED24S	300mm	800mm	≥10mm	830	20 W	1,17 kg
DN570B/DN571B	LED24S	300mm	800mm	≥10mm	840	19 W	1,17 kg

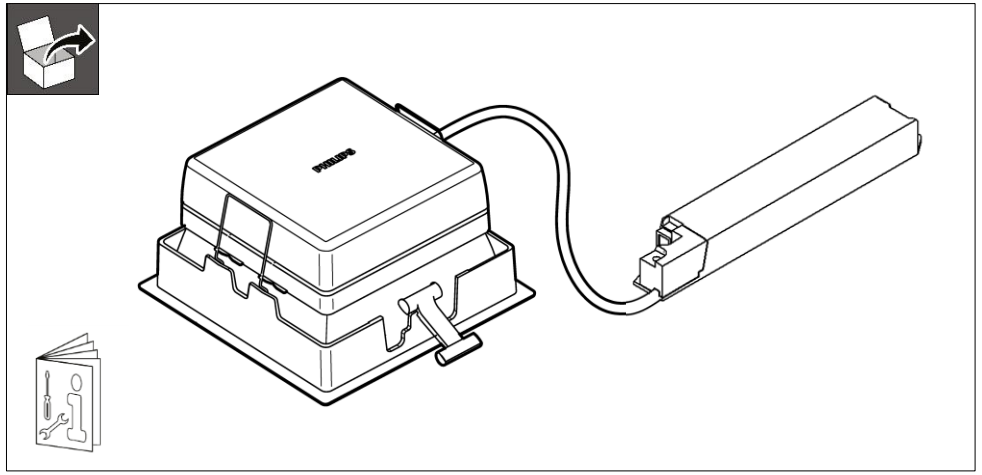
	H	Ø mm	Ø
DN560B	72 mm	150 mm	164 mm
DN561B	86 mm	150 mm	164 mm
DN570B	96,5 mm	200 mm	214 mm
DN571B	119 mm	200 mm	214 mm



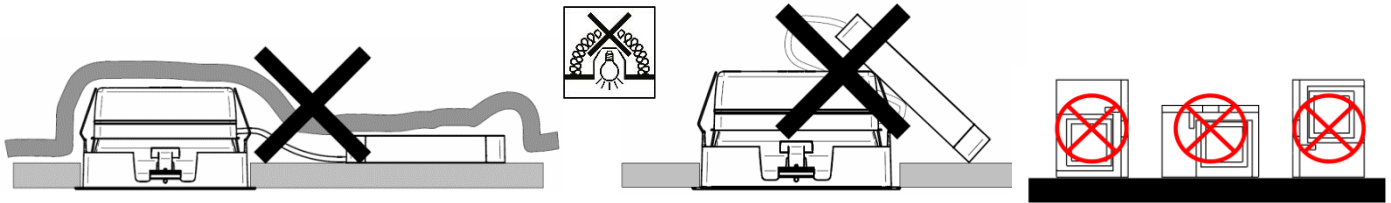
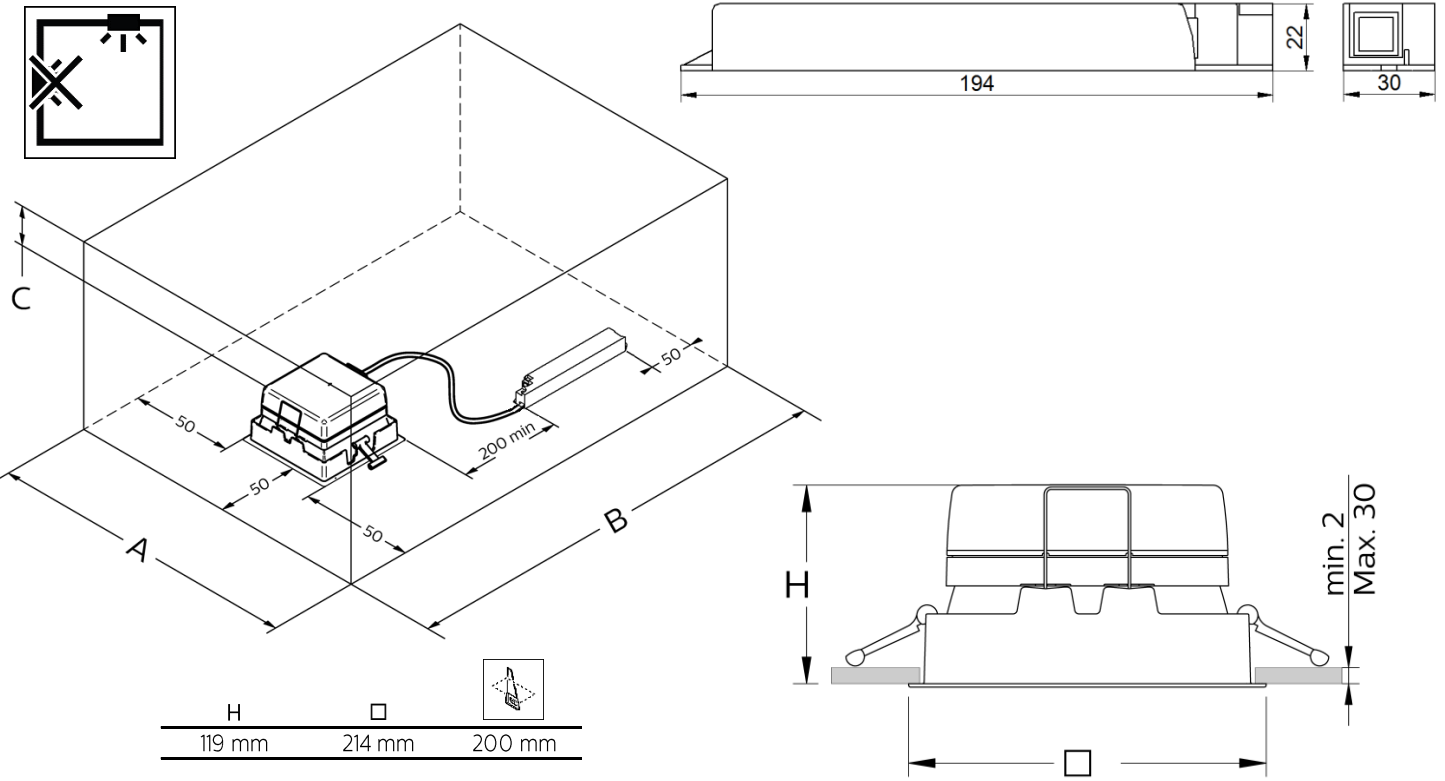
PHILIPS

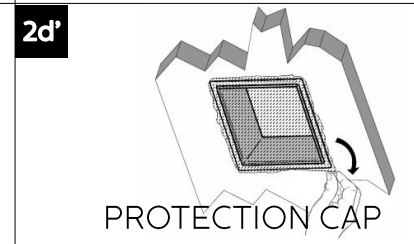
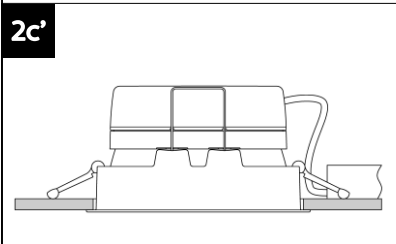
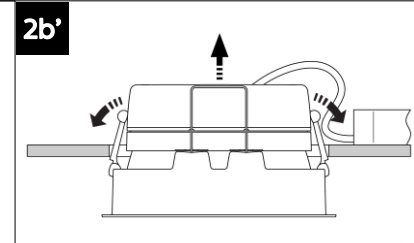
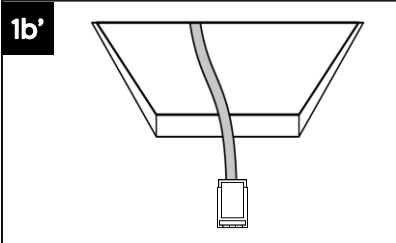
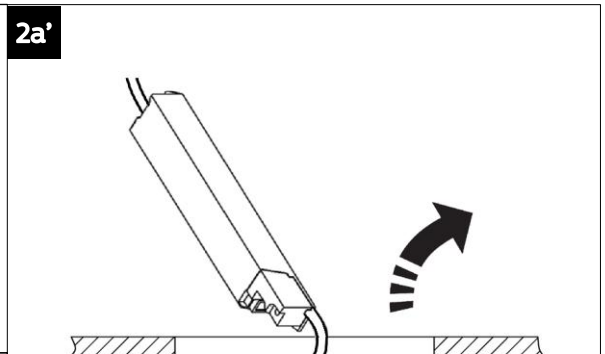
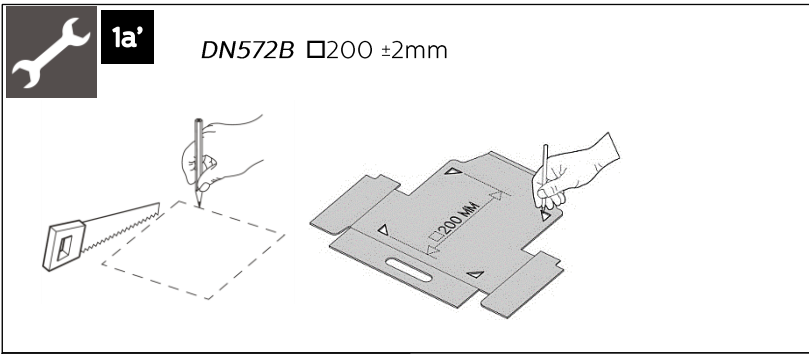
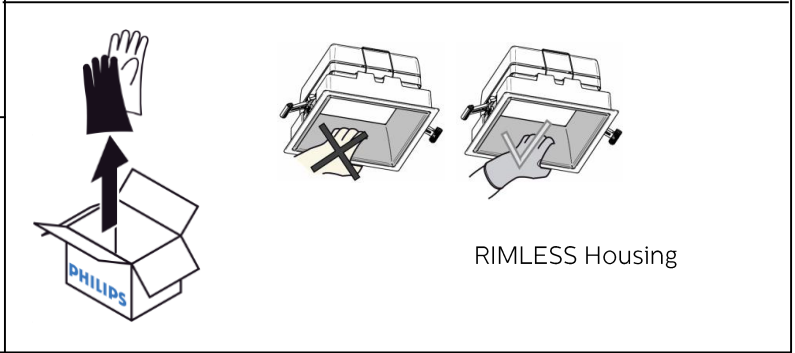
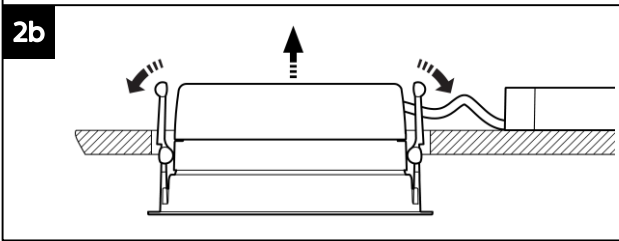
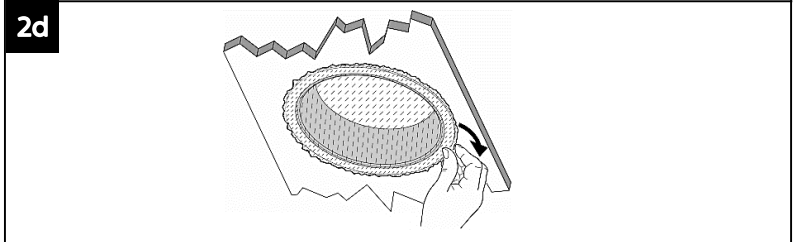
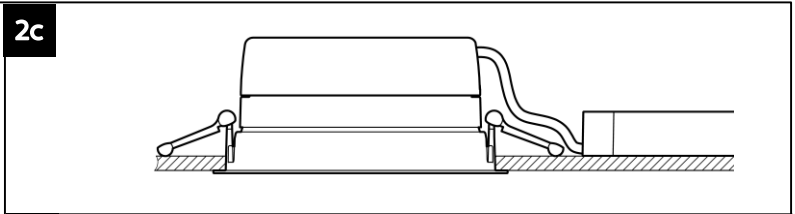
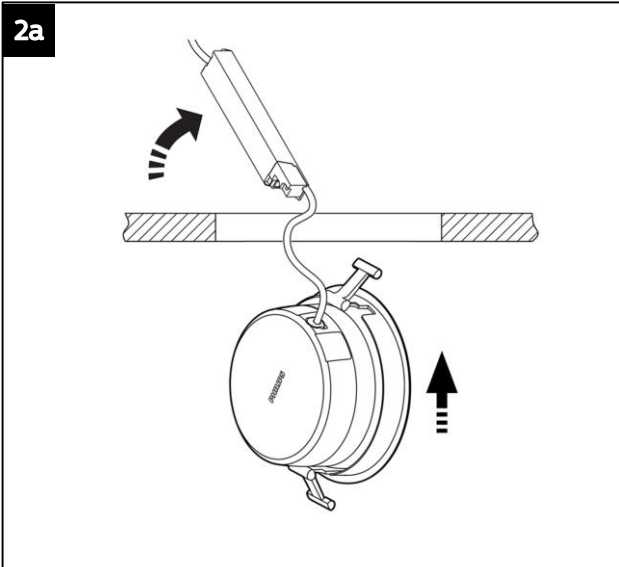
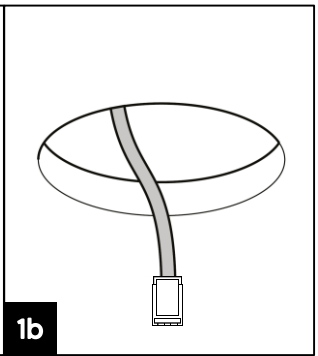
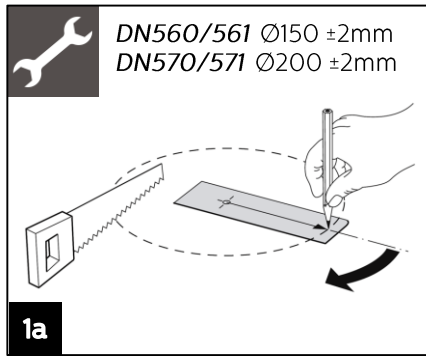
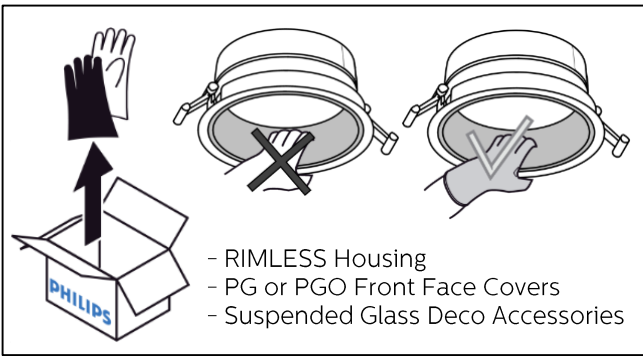
LUXSPACE SQUARE

DN572B PoE

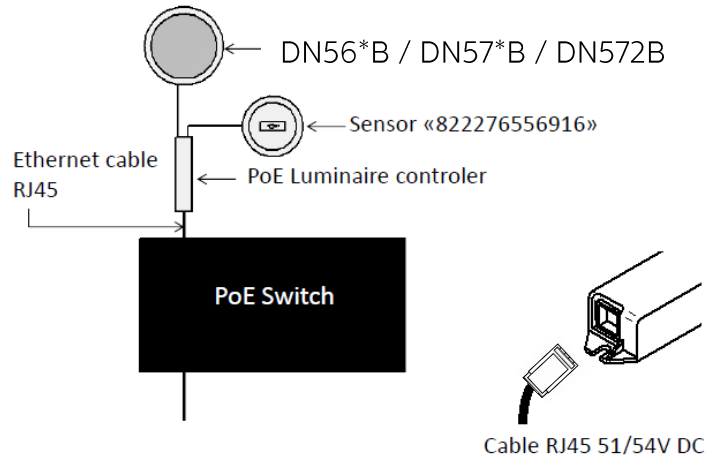


	LEDs	Dimensions			T° K	P± 10%	kg
		A	B	C			
DN572B	LED12S	300mm	700mm	≥3mm	830/840	8,8 W	1,55 kg
DN572B	LED20S	300mm	700mm	≥3mm	830/840	15,2 W	1,55 kg
DN572B	LED24S	300mm	700mm	≥3mm	830/840	19 W	1,55 kg

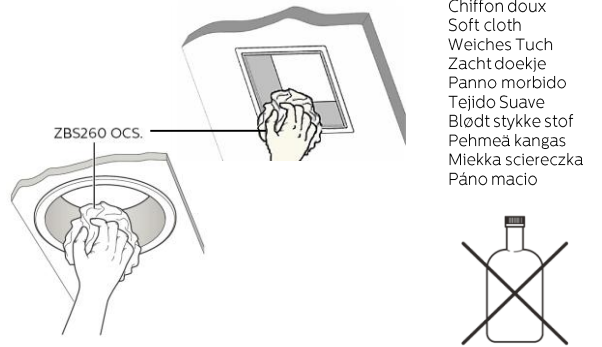
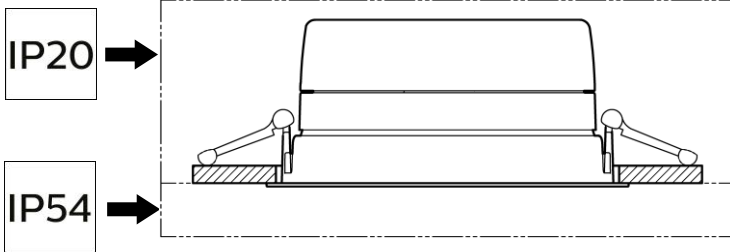




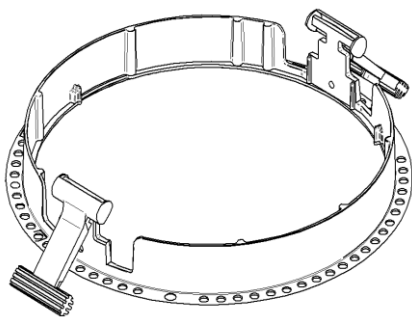
Only PoE Luminaire controller and DN560B / DN 570B are delivery in this product.



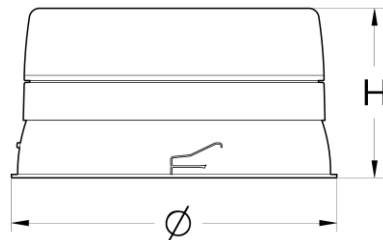
DN560B/561B/570B/571B + PG
DN560B/561B/570B/571B + PGO



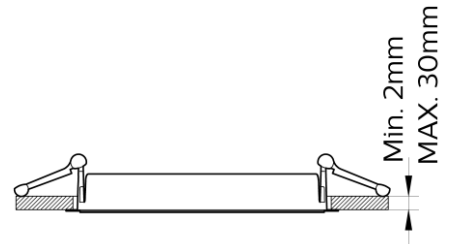
RIMLESS Version



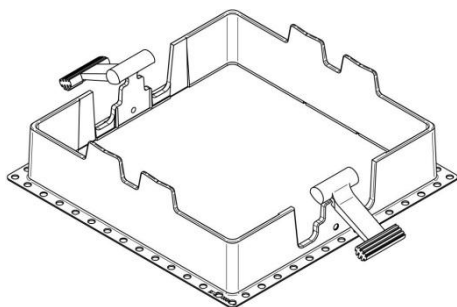
RIM Accessory



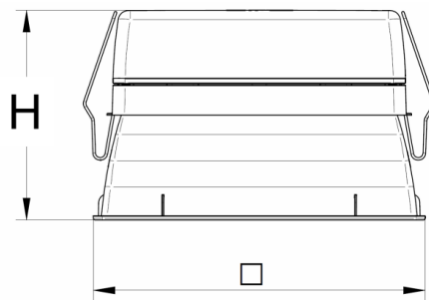
	H	Ø
DN560B	74 mm	139,5 mm
DN561B	88 mm	139,5 mm
DN570B	98,5 mm	189 mm
DN571B	121 mm	189 mm



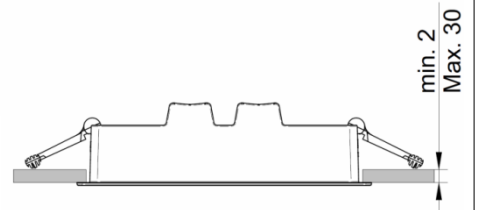
RIMLESS Version



RIM Accessory



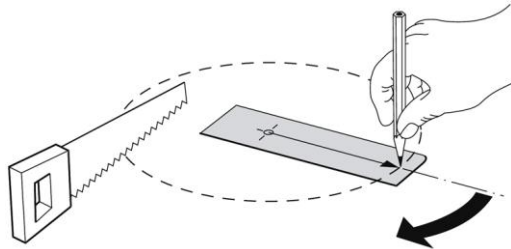
H	□
121 mm	190 mm 200 mm





DN560/561 Ø150 ±2mm
 DN570/571 Ø200 ±2mm

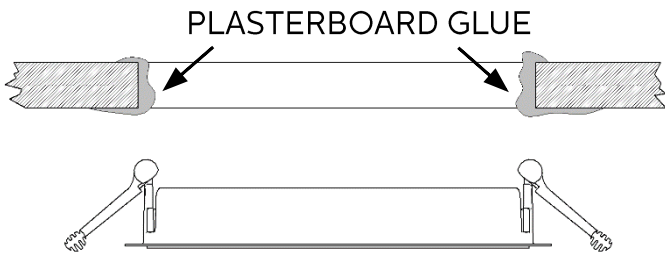
3a



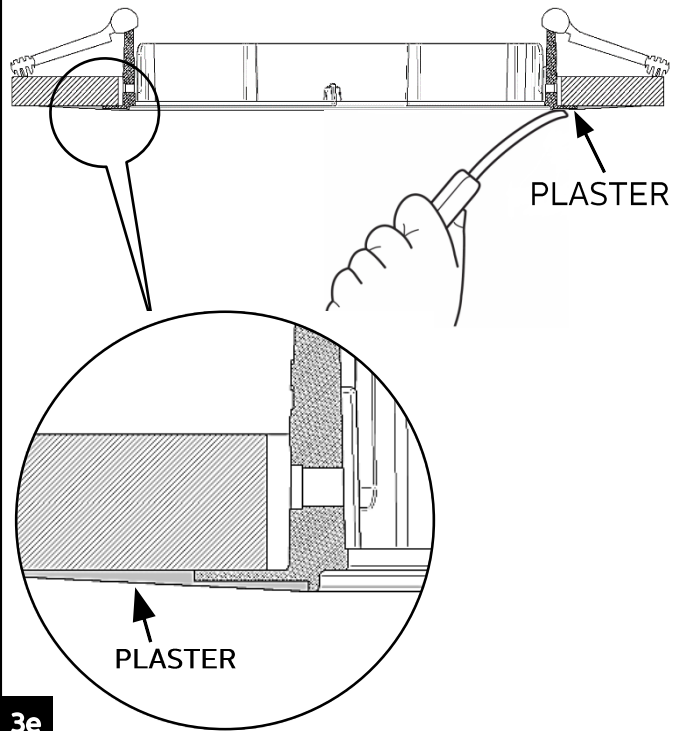
3d



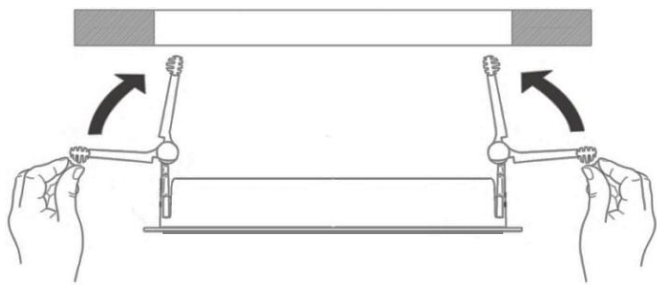
3b



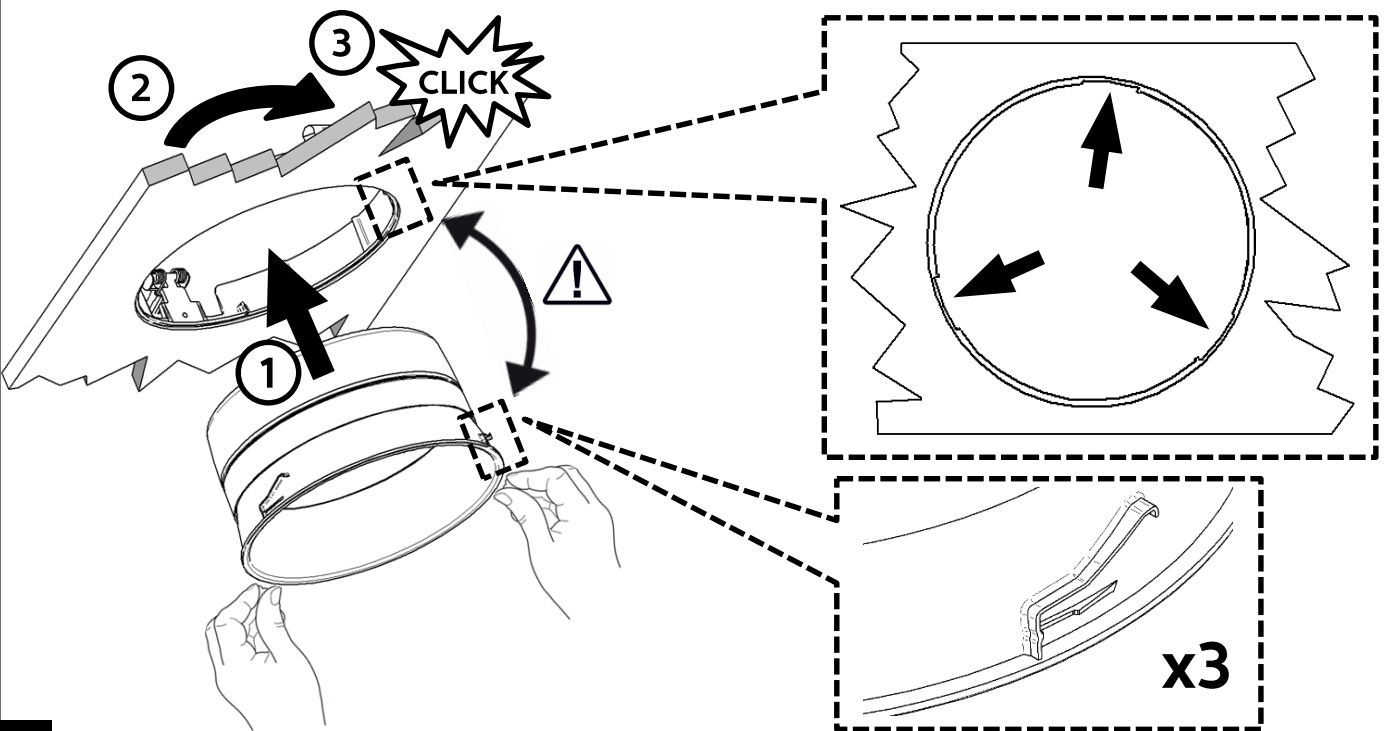
3e



3c

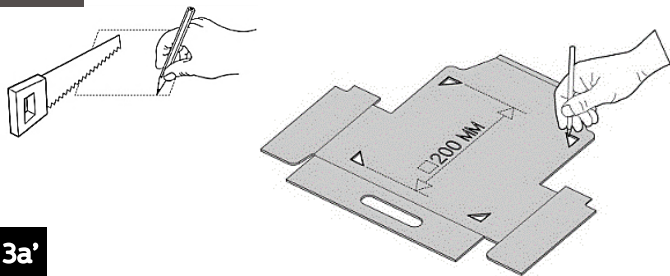


3f

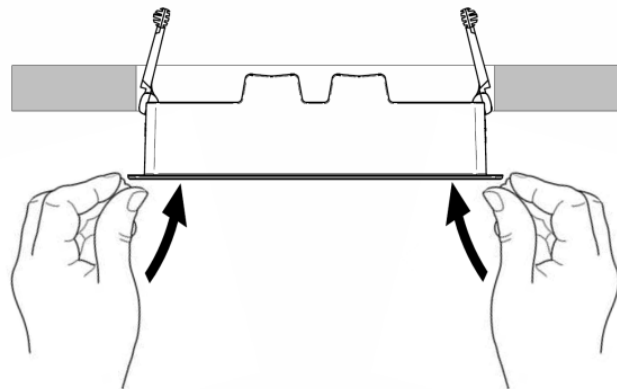




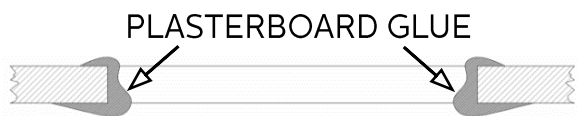
DN572B □200 ±2mm



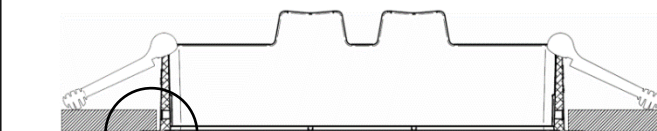
3a'



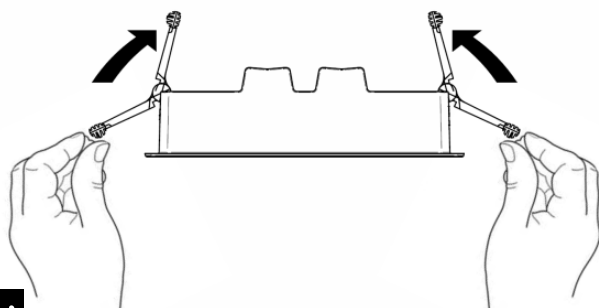
3d'



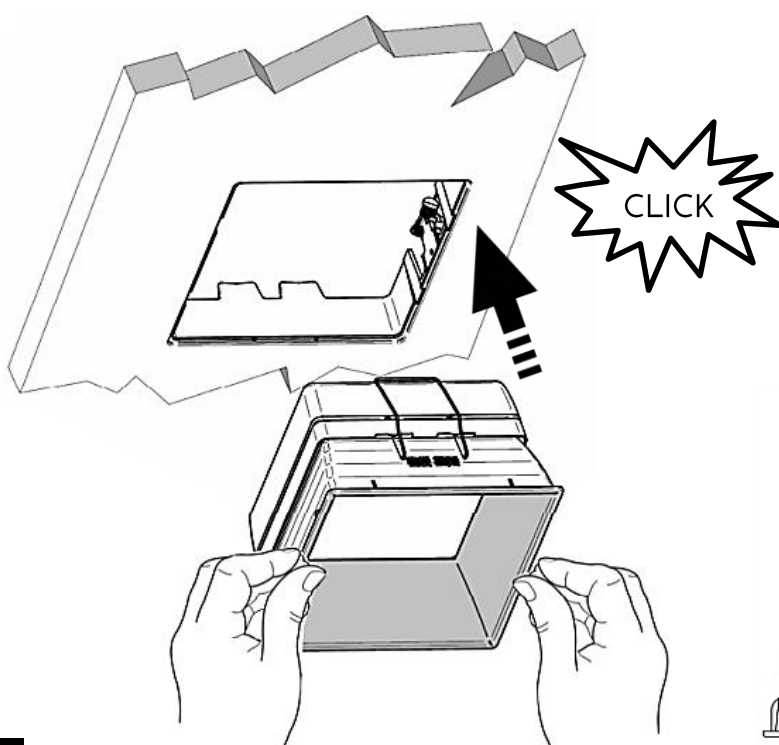
3b'



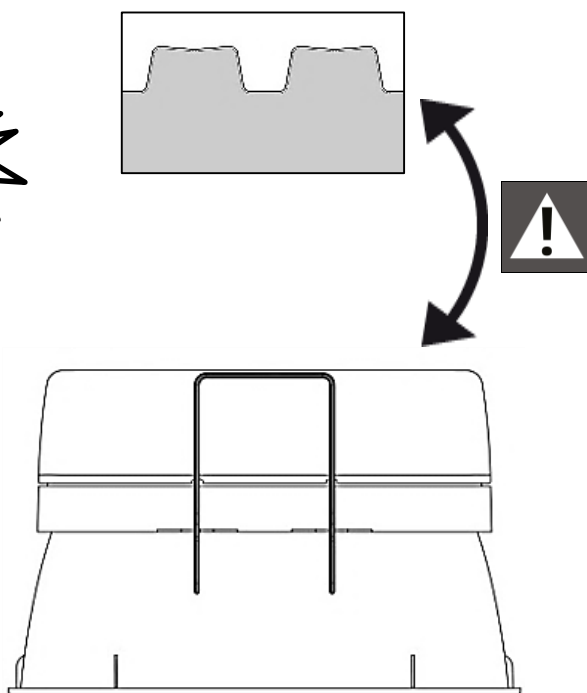
3e'



3c'



3f'



DN57*B : Groupe de risque 1 suivant la norme IEC 62471:2006 / Risk group 1 according to IEC 62471:2006

Note :



© 2016 Philips Lighting Holding B.V.
All rights reserved. Reproduction in whole or in part is prohibited without the prior written consent of the copyright owner.
The information presented in this document does not form part of any quotation or contract, is believed to be accurate and reliable
and may be changed without notice. No liability will be accepted by the publisher for any consequence of its use.
Publication thereof does not convey nor imply any license under patent- or other industrial or intellectual property rights.

Philips Lighting Holding B.V.
The Netherlands