

Standard

STANDARD MAG BALLAST (1) 13W COMPACT(2-PIN) 277V

Available for many fluorescent lamp types sold today, including Preheat, Rapid Start, 2-pin CFL, Slimline, High Output, Very High Output and Circline. Magnetic ballasts can be used in any application where these lamps are used.

Product data

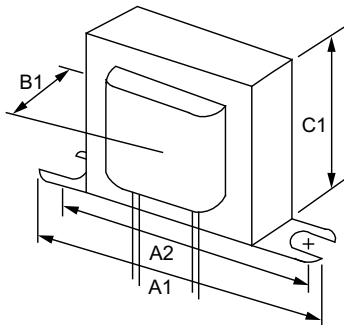
General Information		Rated Lamp Power	
Lamp Type	CFQ13W/GX23	Rated Lamp Power	13 W
Number of Lamps	1 piece/unit	Wiring	
Lamp Footage	-	Wire Striplength	0.50/0.375 mm
Ballast Type	Magnetic Fluorescent	Lamp Connection	Series
Base Model	VLO13TP	Wire Length by Color	See data sheet
Suitable For Outdoor Use	Yes	Wire Gauge (Nom)	18AWG mm
Automatic Restart	Yes	Wire Type	Solid
Operating and Electrical		Remote Wiring Configuration Allowed	Yes
Input Voltage	277 V	Tandem Wiring Configuration Allowed	No
Input Frequency	60 Hz	Through Wiring Configuration Allowed	No
Total Harmonic Distortion USA	10 %	Max Ballast-Lamp Distance Remote Wiring	30'
Ignition Method	Preheat	Max Ballast-Lamp Distance Tandem Wiring	-
Crestfactor (Nom)	1.5	Max Ballast-Lamp Distance Through Wiring	-
Ignition Time (Nom)	1 s	Mechanical and Housing	
Input Current (Open Circuit)	0	Housing Material	Metal
Input Current (Starting)	0.35	Housing	X5
Ballast Factor (Nom)	1	Housing Dimensions	3.25" x 1.75" x 2.0"
Power Factor (Nom)	0.27	Approval and Application	
Input Current (Nom)	0.3 A	EMC Immunity Standard	FCC Non-Consumer
Input Power (Nom)	21 W		

Standard

Approval Marks	CSA certificate UL certificate RoHS Compliant
Hum And Noise Level	A
UL Recognized	No
Product Data	
Order product name	STANDARD MAG BALLAST (1) 13W COMPACT(2-PIN) 277V

EAN/UPC - Product	781087117224
Order code	913700557219
Numerator - Quantity Per Pack	1
Numerator - Packs per outer box	12
Material Nr. (12NC)	913700557219
Net Weight (Piece)	0.486 kg

Dimensional drawing



MAG BALLAST (1) 13W COMPACT(2-PIN) 277V

Product	A1	A2	B1	C1
STANDARD MAG BALLAST (1) 13W COMPACT(2-PIN) 277V	3.75 in	2.19 in	1.75 in	2 in

