



F-can (72C)

F-CAN HID MH BAL 150W M102/142 120/277V FCAN

The Philips Advance line of F-can HID ballasts comes in two dual-voltage configurations for the US and Canadian market. Ballasts for these luminaires are most often encased and potted in fluorescent ballast type cans.

Product data

| General Information | | Input Current (Nom) | |
|---------------------------------|-----------------------|---|---|
| ANSI Code | M102-M142(PULSESTART) | | 1.6/0.7 A A |
| Lamp Type | 150W MH | Input Power (Nom) | 180 W |
| Number of Lamps | 1 piece/unit | Rated Lamp Power | 150 W |
| Circuit Type | HX-HPF | Wiring | |
| Ballast Type | Magnetic HID | Wire Striplength | 0.5 mm |
| Base Model | 72C5482 | Wire Length by Color | 12" |
| Suitable For Outdoor Use | Yes | Wire Type | Stranded |
| Ignitor Catalog Number | Inside Can | Remote Wiring Configuration Allowed | Yes |
| Capacitor Catalog Number | Inside Can | Max Ballast-Lamp Distance Remote Wiring | 5' |
| Automatic Restart | No | Recommended Fuse Value | 10/4 A |
| Operating and Electrical | | Mechanical and Housing | |
| Input Voltage | 120/277 V | Housing Material | Metal |
| Input Frequency | 60 Hz | Housing | F-Can |
| Input Current (Open Circuit) | 3.65/1.55 A | Housing Dimensions | 14.3 x 2.63 x 3.19 |
| Input Current (Starting) | 1.5/0.75 A | Approval and Application | |
| Input Current (Short Circuit) | 1.45-2.15/0.6-0.95 A | Open Circuit Voltage Test (Volts) | 250-300 V |
| Secondary Short Circuit Current | 2.0-2.5 A | Approval Marks | CSA certificate UL certificate RoHS Compliant |
| Constant Wattage Deviation | 12% | Temperature Marking | 90°C max. case |
| Ballast Factor (Nom) | 1 | UL Recognized | No |
| Power Factor (Nom) | 0.90 | | |
| Open Circuit Voltage | 277 V | | |

F-can (72C)

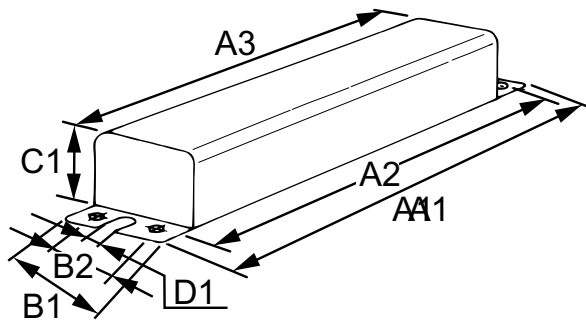
| | |
|------------------------|----------|
| Hipot Test (1 Minute) | 1600 V |
| Hipot Test (2 Seconds) | 2000 V |
| UL Insulation Class | A(105°C) |
| UL Temperature Code | NA |

Product Data

| | |
|--------------------|---|
| Order product name | F-CAN HID MH BAL 150W M102/142 120/277V FCAN |
|--------------------|---|

| | |
|---------------------------------|--------------|
| EAN/UPC - Product | 781087007747 |
| Order code | 913700580109 |
| Numerator - Quantity Per Pack | 1 |
| Numerator - Packs per outer box | 2 |
| Material Nr. (12NC) | 913700580109 |
| Net Weight (Piece) | 5.639 kg |

Dimensional drawing



MH BAL 150W M102/142 120/277 FCAN

| Product | A1 | A2 | A3 | B1 | B2 | C1 | D1 |
|--|-------|----------|----------|--------|--------|--------|--------|
| F-CAN HID MH BAL 150W M102/142 120/277 FCAN | 12 in | 13.75 in | 13.13 in | 3.9 in | 2.0 in | 2.6 in | 0.3 in |

