



Optanium T5HO

OPTANIUM ELE BALLAST (4) F54T5/HO 120-277V

Our new addition to our high-performance, high efficiency Optanium ballasts family, these new programmed start parallel ballasts for T5HO lamps are now available as parallel-wired which provides independent lamp operation within the fixture. When one lamp reaches its end-of-life (EOL) the remaining lamps stay illuminated, which means you change out only the lamps that need to be replaced.

Product data

General Information	
Lamp Type	F54T5/HO
Number of Lamps	3/4 piece/unit
Ballast Type	Electronic Fluorescent
Base Model	IOP4PSP542LSG
Suitable For Outdoor Use	Yes
Automatic Restart	Yes
Operating and Electrical	
Input Voltage	120 to 277 V
Input Frequency	50 to 60 Hz
Total Harmonic Distortion USA	10 %
Ignition Method	Programmed Start
Crestfactor (Nom)	1.6
Ignition Time (Nom)	1.5 s
Ballast Factor (Nom)	1
Power Factor (Nom)	0.98
Input Current (Max)	1.96 A
Input Current (Min)	0.83 A
Input Power (Nom)	235-229 W
Rated Lamp Power	54 W

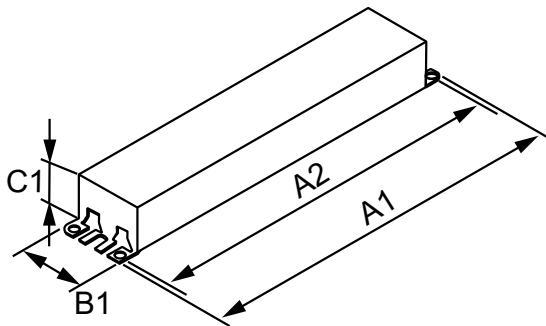
Wiring	
Color Input Terminals	No terminals
Color Output Terminals	No terminals
Wire Striplength	0.50/0.375 mm
Lamp Connection	Parallel
Wire Length by Color	See data sheet
Wire Gauge (Nom)	18AWG mm
Wire Type	Solid
Remote Wiring Configuration Allowed	Yes
Tandem Wiring Configuration Allowed	Yes
Through Wiring Configuration Allowed	Yes
Max Ballast-Lamp Distance Remote Wiring	20'
Max Ballast-Lamp Distance Tandem Wiring	Red & Blue = 20'
Max Ballast-Lamp Distance Through Wiring	Red & Blue = 20'
Connector Type	No connector
Temperature	
T-Case Maximum (Nom)	70 °C
Mechanical and Housing	
Housing Material	Metal
Housing	G

Optanium T5HO

Housing Dimensions	16.7" x 1.7" x 1.18"
Approval and Application	
EMC Immunity Standard	FCC Non-Consumer
Approval Marks	CSA certificate UL certificate CEC Listing RoHS Compliant
Hum And Noise Level	A
UL Recognized	No
Product Data	
Order product name	OPTANIUM ELE BALLAST (4) F54T5/HO 120-277V

EAN/UPC - Product	781087086032
Order code	913701214202
Numerator - Quantity Per Pack	1
Numerator - Packs per outer box	6
Material Nr. (12NC)	913701214202
Net Weight (Piece)	967.000 g

Dimensional drawing



ELE BALLAST (4) F54T5/HO 120-277V

Product	A1	A2	B1	C1
OPTANIUM ELE BALLAST (4) F54T5/HO 120-277V	16.70 in	16.34 in	1.70 in	1.18 in

