



Mark 7 0-10V

MARK 7 0-10V ELE DIMMING BALLAST (1) F32T8 120-277V

The Mark 7 0-10V series of dimmable electronic ballasts offer maximum versatility by incorporating separate control leads for use with a wide array of controllers, including occupancy sensors, daylight harvesting controls, and building management systems from more than 40 manufacturers. When paired with linear fluorescent and 4-pin compact fluorescent lamps, these ballasts optimize the benefits of such popular sustainable lighting techniques as daylight harvesting, occupancy sensing, and load shedding to satisfy the need for an affordable, flexible and versatile controllable lighting solution.

Product data

| General Information | | | |
|-------------------------------|----------------------|--------------------------------------|----------------|
| Lamp Type | F32T8 | Input Current (Max) | 0.29 A |
| Number of Lamps | 1 piece/unit | Input Current (Min) | 0.13 A |
| Ballast Type | Dimmable Fluorescent | Input Power (Max) | 35 W |
| Base Model | IZT132SC | Input Power (Min) | 8 W |
| Suitable For Outdoor Use | Yes | Rated Lamp Power | 32 W |
| Automatic Restart | Yes | | |
| Operating and Electrical | | Wiring | |
| Input Voltage | 120 to 277 V | Color Input Terminals | No terminals |
| Input Frequency | 50 to 60 Hz | Color Output Terminals | No terminals |
| Total Harmonic Distortion USA | 10 % | Wire Striplength | 0.50/0.375 mm |
| Ignition Method | Programmed Start | Control Wire Gauge | 18AWG |
| Crestfactor (Nom) | 1.6 | Lamp Connection | Series |
| Ignition Time (Nom) | 1.5 s | Wire Length by Color | See data sheet |
| Ballast Factor (Max) | 1 | Wire Gauge (Nom) | 18AWG mm |
| Ballast Factor (Min) | 0.05 | Wire Type | Solid |
| Power Factor (Nom) | 0.99 | Remote Wiring Configuration Allowed | Yes |
| | | Tandem Wiring Configuration Allowed | No |
| | | Through Wiring Configuration Allowed | No |

Mark 7 0-10V

| | |
|--|--------------|
| Max Ballast-Lamp Distance Remote Wiring | 6' |
| Max Ballast-Lamp Distance Tandem Wiring | NA |
| Max Ballast-Lamp Distance Through Wiring | NA |
| Connector Type | No connector |

Temperature

| | |
|----------------------|-------|
| T-Case Maximum (Nom) | 70 °C |
|----------------------|-------|

Mechanical and Housing

| | |
|--------------------|---------------------|
| Housing Material | Metal |
| Housing | SC |
| Housing Dimensions | 9.5" x 1.7" x 1.18" |

Approval and Application

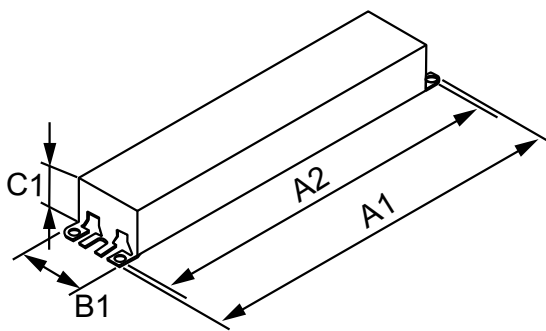
| | |
|-----------------------|--|
| EMC Immunity Standard | FCC Consumer |
| Approval Marks | CSA certificate UL certificate CEC Listing CEE Rated NEMA Premium RoHS Compliant |

| | |
|---------------------|----|
| Hum And Noise Level | A |
| UL Recognized | No |

Product Data

| | |
|---------------------------------|--|
| Order product name | MARK 7 0-10V ELE DIMMING BALLAST (1) F32T8 120-277V |
| EAN/UPC - Product | 781087027790 |
| Order code | 913710213001 |
| Numerator - Quantity Per Pack | 1 |
| Numerator - Packs per outer box | 10 |
| Material Nr. (12NC) | 913710213001 |
| Net Weight (Piece) | 441.000 g |

Dimensional drawing



ELE DIMMING BALLAST (1) F32T8 120-277V

| Product | A1 | A2 | B1 | C1 |
|---|--------|---------|--------|---------|
| MARK 7 0-10V ELE DIMMING BALLAST (1) F32T8 120-277V | 9.5 in | 8.90 in | 1.7 in | 1.18 in |

