

PHILIPS

Lighting



Standard

STANDARD MAG BALLAST (2) 13W COMPACT(2-PIN) 277V

Available for many fluorescent lamp types sold today, including Preheat, Rapid Start, 2-pin CFL, Slimline, High Output, Very High Output and Circline. Magnetic ballasts can be used in any application where these lamps are used.

Product data

General Information	
Lamp Type	CFQ13W/GX23
Number of Lamps	2 piece/unit
Lamp Footage	-
Ballast Type	Magnetic Fluorescent
Base Model	VLO2S13TP
Suitable For Outdoor Use	Yes
Automatic Restart	Yes

Operating and Electrical	
Input Voltage	277 V
Input Frequency	60 Hz
Total Harmonic Distortion USA	15 %
Ignition Method	Preheat
Crestfactor (Nom)	1.5
Ignition Time (Nom)	1 s
Input Current (Open Circuit)	0
Input Current (Starting)	0.375
Ballast Factor (Nom)	0.95
Power Factor (Nom)	0.4
Input Current (Nom)	0.31 A
Input Power (Nom)	34 W

Rated Lamp Power	13 W
------------------	------

Wiring	
Wire Striplength	0.50/0.375 mm
Lamp Connection	Series
Wire Length by Color	See data sheet
Wire Gauge (Nom)	18AWG mm
Wire Type	Solid
Remote Wiring Configuration Allowed	Yes
Tandem Wiring Configuration Allowed	Yes
Through Wiring Configuration Allowed	Yes
Max Ballast-Lamp Distance Remote Wiring	30'
Max Ballast-Lamp Distance Tandem Wiring	Any = 30'
Max Ballast-Lamp Distance Through Wiring	Any = 30'

Mechanical and Housing	
Housing Material	Metal
Housing	X8
Housing Dimensions	4.0" x 1.81" x 2.25"

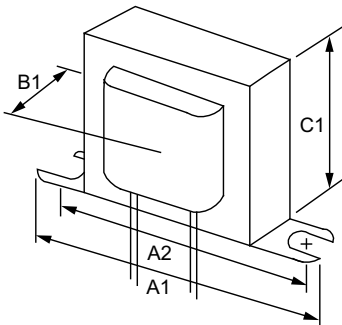
Approval and Application	
EMC Immunity Standard	FCC Non-Consumer

Standard

Approval Marks	CSA certificate UL certificate RoHS Compliant
Hum And Noise Level	A
UL Recognized	No
Product Data	
Order product name	STANDARD MAG BALLAST (2) 13W COMPACT(2-PIN) 277V

EAN/UPC - Product	781087061565
Order code	913710316201
Numerator - Quantity Per Pack	1
Numerator - Packs per outer box	12
Material Nr. (12NC)	913710316201
Net Weight (Piece)	577.000 g

Dimensional drawing



MAG BALLAST (2) 13W COMPACT(2-PIN) 277V

Product	A1	A2	B1	C1
STANDARD MAG BALLAST (2) 13W COMPACT(2-PIN) 277V	4 in	3.5 in	1.81 in	2.25 in

