



CorePro Plastic LEDbulbs

CorePro LEDbulb ND 13-100W A60 E27 840

The CorePro LED bulb is the perfect bulb for your basic lighting needs. It provides beautiful light and dependable performance you expect from LED at an affordable price. CorePro LEDbulbs are compatible with existing fixtures with an E27 or B22 holder and are designed for retrofit replacement of incandescent bulbs. They deliver huge energy savings of 80% and provides excellent quality of light. By offering a lifetime of 15,000 hours it reduces maintenance costs.

Product data

General Information		Operating and Electrical	
Cap-Base	E27 [E27]	Line Frequency	50 to 60 Hz
Nominal lifetime	15,000 hour(s)	Input Frequency	50 to 60 Hz
Switching Cycle	50,000	Power Consumption	13 W
Lighting Technology	LED	Lamp Current (Nom)	120 mA
EU RoHS compliant	Yes	Starting Time (Nom)	0.5 s
		Warm-up time to 60% light	0.5 s
		Power Factor (Fraction)	0.5
		Voltage (Nom)	220-240 V
Light Technical		Temperature	
Color Code	840 [CCT of 4000K]	T-Case Maximum (Nom)	88 °C
Beam Angle (Nom)	200 degree(s)		
Luminous Flux	1,521 lm	Controls and Dimming	
Color Designation	Cool White (CW)	Dimmable	No
Correlated Color Temperature (Nom)	4000 K		
Luminous Efficacy (rated) (Nom)	117.00 lm/W	Mechanical and Housing	
Color Consistency	<6	Bulb Finish	Frosted
Color rendering index (CRI)	80		
LLMF At End Of Nominal Lifetime (Nom)	70 %		

CorePro Plastic LEDbulbs

Bulb Shape	A60 [A 60mm]
------------	--------------

Approval and Application

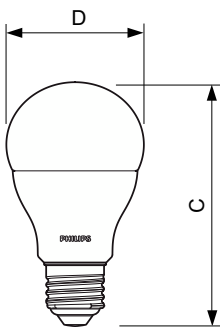
Energy Saving Product	Yes
Suitable For Accent Lighting	No
Energy Consumption kWh/1000 h	13 kWh

Product Data

Order product name	CorePro LEDbulb ND 13-100W A60 E27 840
Full product name	CorePro LEDbulb ND 13-100W A60 E27 840

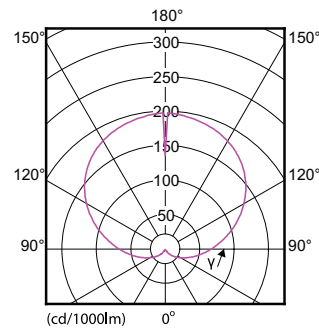
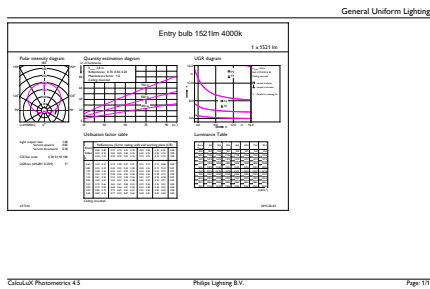
Full product code	871869651030800
Order code	929001234902
Material Nr. (12NC)	929001234902
Numerator - Quantity Per Pack	1
EAN/UPC - Product/Case	8718696510308
Numerator - Packs per outer box	10
EAN/UPC - Case	8718696510315

Dimensional drawing



Product	D	C
CorePro LEDbulb ND 13-100W A60 E27 840	60 mm	110 mm

Photometric data

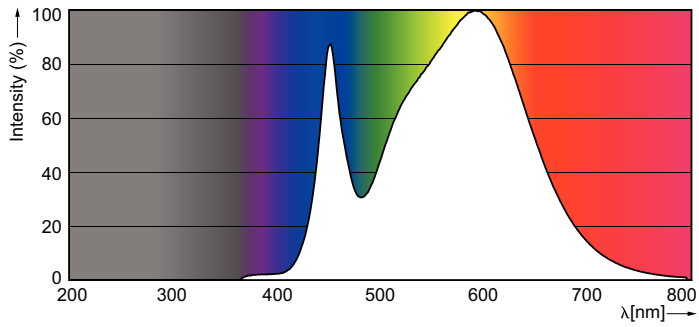


General uniform lighting - CorePro LEDbulb ND 13-100W A60 E27 840

Light Distribution Diagram - CorePro LEDbulb ND 13-100W A60 E27 840

CorePro Plastic LEDbulbs

Photometric data



Spectral Power Distribution Colour - CorePro LEDbulb ND 13-100W A60 E27 840

