

PHILIPS LIGHTOLIER

Track

Alcyon LED

Horizontal Cylinder,
LLAH, 15W/1100lm



Project: _____
 Location: _____
 Cat.No: _____
 Type: _____
 Lamps: _____ Qty: _____
 Notes: _____

Alcyon LED Horizontal Cylinders are ideal for display, accent and task lighting and offer higher efficiency than incandescent or halogen sources leading to energy savings with no ultraviolet or infrared radiation. Alcyon provides concentrated light which dramatically draws interest to objects and elements in a space.

Fixture

example: LLAH11840ATE

Reflector

example: LLRNS

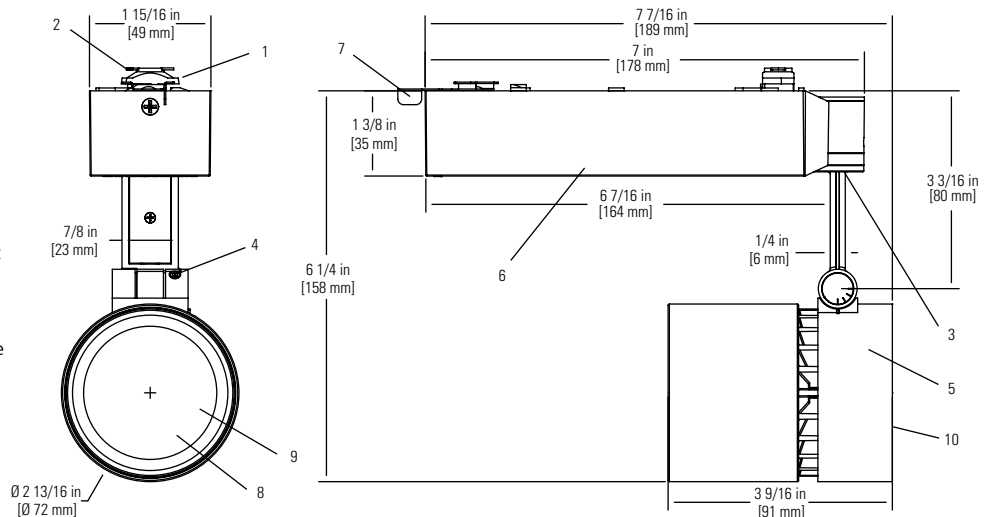
Series	Lumens	CRI/CCT*	Finish	Dimming	Options
LLAH	11	<input type="checkbox"/>	<input type="checkbox"/>	<input type="checkbox"/>	<input type="checkbox"/>
LLAH Alcyon LED Horizontal Cylinder	11 1100lm	830 80CRI/3000K 835 80CRI/3500K 840 80CRI/4000K 927 90CRI/2700K 930 90CRI/3000K	W White A Aluminum B Black	TE Triac/ELV	CW CrispWhite

Series	Reflector
LL	<input type="checkbox"/>
LL Alcyon LED Horizontal Cylinder	RS 13° Spot RNF 22° Narrow flood RF 28° Flood

* CrispWhite can only be ordered with 90/30 CRI/CCT combination. For other configurations and variations please contact the factory.

Features

- Track attachment fitting:** for mechanical/electrical connection.
- Brass contact:** extends for connection to second circuit (advent track only).
- Horizontal pivot:** wireless stem profile with 365° horizontal rotation.
- Vertical pivot:** 0-90° vertical adjustment with aiming indicator.
- Integrated housing heat sink:** die-cast aluminum maintains LED junction temperature for minimum 50,000 hr lifetime at 70% lumen maintenance
- Driver housing:** molded polycarbonate
- Safety locking lever:** locks driver housing to track
- Interchangeable optics:** sold separately.
- Led board:** Chip-on-board LED.



Mounting

For the use with Lytespan Radius, Basic and Advent Track. Not compatible with extension wands or slope ceiling adapters. For monopoint applications refer to specification sheet 6173.

Accessories*

Accessory holder
 LLA01AHWH Accessory Holder White
 LLA01AHBK Accessory Holder Black

Louwer
 AL25HC 2.5" Diam Hex Cell Louwer

* When using two accessories must use holder.

Snoot

LLA01SNWH Snoot 2.42" dia. white
 LLA01SNBK Snoot 2.42" dia. black

Diffusion/Color filters
 AF25, ADF25 Series



LLAH Alcyon LED

Horizontal Cylinder, 15W/1100 lm

Electrical

Electronic power supply
 input voltage: 120V, 50/60 Hz
 Input power: 14.8W
 Slide down Efficiency: 75lm/W
 High power factor >0.9 ELV
 dimming available
 CRI: 84 (typical)

Dimming

Trailing edge (ELV) dimming compatible
SR400RPC120 Philips Controls Sunrise
DVELV-303P Lutron Diva
SELV-300P Lutron Skylark (100 - 10%)
6615 Leviton Decora
IPE04-ILX Leviton Decora (100 - 23%)

Finish

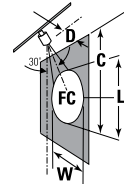
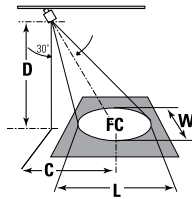
All painted finishes are baked enamel.

Labels

cULus Listed.
 Energy Star certified
 Accessories are not Energy Star qualified.
 5 year warranty

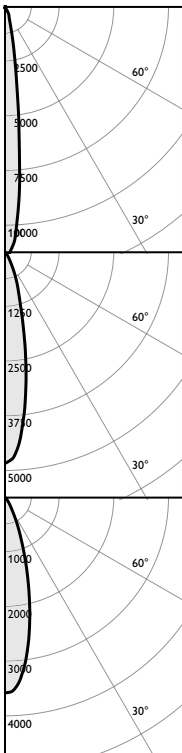
Aiming angles

L and W are the outer points where the candle power drops to 50% of the maximum. FC are the initial footcandles at the center of the beam. Data shown is for 3000K, for 2700K multiply FC by 0.91.



D Distance
C Distance to center beam
FC Footcandles
L Beam length
W Beam Width
A Aiming Angle

CBCP Center Beam Candle Power



Track: LLAH11830BTE
Reflector: LLRS

CCT¹: 3000K
 Output lumens: 1143 lms
 Input watts²: 14.8 W
 Efficacy: 77.2 lm/w
 CRI: 80 min
 CBCP: 11,711 cd
 Beam Angle: 13°
 Report no³: 558GFR

Spot

30° Horizontal Aiming

Distance	Beam				
	D	C	F.C.	L	W
6	3.5	211	1.8	1.6	
8	4.6	119	2.4	2.1	
10	5.8	76	3.1	2.6	
12	6.9	53	3.7	3.2	

30° Horizontal Aiming

Distance	Beam				
	D	C	F.C.	L	W
2	3.5	366	1.9	0.9	
3	5.2	163	2.8	1.4	
4	6.9	91	3.8	1.8	
5	8.7	59	4.7	2.3	

Track: LLAH11830BTE
Reflector: LLRNF

CCT¹: 3000K
 Output lumens: 1170 lms
 Input watts²: 14.8 W
 Efficacy: 79.1 lm/w
 CRI: 80 min
 CBCP: 4,843 cd
 Beam Angle: 23°
 Report no³: 559GFR

Narrow Flood

30° Horizontal Aiming

Distance	Beam				
	D	C	F.C.	L	W
6	3.5	87	3.3	2.8	
8	4.6	49	4.4	3.8	
10	5.8	31	5.5	4.7	
12	6.9	22	6.6	5.6	

30° Horizontal Aiming

Distance	Beam				
	D	C	F.C.	L	W
2	3.5	151	3.7	1.6	
3	5.2	67	5.6	2.4	
4	6.9	38	7.4	3.3	
5	8.7	24	9.3	4.1	

Track: LLAH11830BTE
Reflector: LLRF

CCT¹: 3000K
 Output lumens: 1168 lms
 Input watts²: 14.8 W
 Efficacy: 78.9 lm/w
 CRI: 80 min
 CBCP: 3,597 cd
 Beam Angle: 29°
 Report no³: 560GFR

Flood

30° Horizontal Aiming

Distance	Beam				
	D	C	F.C.	L	W
6	3.5	65	4.2	3.6	
8	4.6	37	5.6	4.8	
10	5.8	23	7.1	6.0	
12	6.9	16	8.5	7.2	

30° Horizontal Aiming

Distance	Beam				
	D	C	F.C.	L	W
2	3.5	112	5.2	2.1	
3	5.2	50	7.8	3.1	
4	6.9	28	10.4	4.1	
5	8.7	18	12.9	5.2	

1. Correlated Color Temperature within specs as defined in ANSI_NEMA_ANSI C78.377-2008: Specifications for the Chromaticity of Solid State Lighting Products.
 2. Wattage controlled to within +/- 5%.
 3. Tested using absolute photometry as specified in LM79: IESNA Approved Method for the Electrical and Photometric Measurements of Solid-State Lighting Products.

© 2015 Koninklijke Philips N.V. All rights reserved.
 Philips reserves the right to make changes in specifications and/or to discontinue any product at any time without notice or obligation and will not be liable for any consequences resulting from the use of this publication.



Philips Lighting, North America Corporation
 200 Franklin Square Drive, Somerset, NJ 08873
 Tel. 855-486-2216

Philips Lighting Canada Ltd.
 281 Hillmount Road, Markham, ON, Canada L6C 2S3
 Tel. 800-668-9008