



Linear

Chopstick Suspended

3400 lm/4ft
3000/3500/4000K



Project: _____
 Spec Type: _____
 Catalog No: 7505LxExN _____
 Qty _____
 Line Notes: _____

Fixture scale, performance, lighting quality and budget—why compromise? Chopstick offers small size with big lighting performance and a price point that makes it ideal for use in many different types of spaces.

Ordering guide

Product Type	Source	Color Temp *	Lumens *	Lower Optics	Upper Optics	Run Length	Wiring †	Voltage	Driver	Finish
<input type="text" value="7505"/>	<input type="text" value="L"/>	<input type="text"/>	<input type="text" value="E"/>	<input type="text"/>	<input type="text" value="N"/>	<input type="text"/>	<input type="text"/>	<input type="text"/>	<input type="text"/>	<input type="text"/>
Chopstick Susp Semi-Indirect	L LED	A 4000K B 3500K C 3000K	E 3400 lm/4ft C 4800 lm/4ft	S MesoOptics Lens Q MesoOptics Lens	N Lightguide	04 4' 06 6' 08 8' Total run length (2' increments)	7 1 cct Dimming E 2 cct A/B Dimming M 1 cct Dimming+ EM Wiring N 1 cct Dimming+ EM Batt. Pack	1 120V 2 277V 3 347V	E Philips Advance 0-10V (1% dim)	W Standard White T Titanium Silver B Black C Custom

* Nominal values within a range. Consult photometry data for color temp, lumens & distribution of chosen configuration.
 † Not all wiring types are available with all configurations. Consult Philips Ledalite for a complete list of available options.

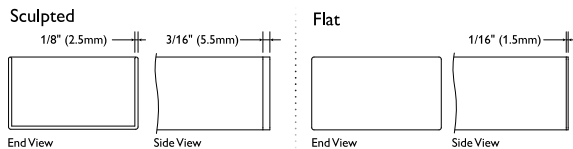
Mounting Hardware

Mount Type
Consult separate mounting spec sheet for mount type options

Suspension Length
Distance from ceiling to top of luminaire in inches

Endcaps -

Integrated Controls Please indicate with check mark.



Response Daylight Single Zone (DS)



Chopstick Suspended

3400 lm/4ft

3000/3500/4000K

Optical System

A low-profile light guide panel is edge lit by an LED array. The light guide couples and transmits the light via total internal reflection, then the etched surface of the panel optimizes the light extraction to create a semi-indirect (suspended) or direct/indirect (wall) distribution. Light is purified and controlled by MesoOptics film as it passes through the non-glare acrylic lens.

Endcaps

Diecast aluminum endcaps, available in flat (standard) or edge sculpted.

Finish

High quality powder coated, available in matte white, black or titanium silver. Other factory and custom colors available on request.

Housing

Precision formed 20 gauge cold-rolled steel.

Weight

Maximum 3.0lb/ft.

Electrical

Factory pre-wired to section ends with quick-wire connectors.

Standard Driver

Philips Advance Xitanium 0-10V, 1-100%. Class 2 rated output. Consult Philips Ledalite for other available drivers.

Standard Battery Pack

Philips Bodine, 90 min, 10W, Class 2 rated output, Emergency lumen output = 10W x luminaire efficacy x 1.1. Typical output: suspended 1100lm, wall 900lm.

Lumen Maintenance

LEDs have been tested by the manufacturer in accordance with IESNA LM-80-08. At an ambient temperature of 25°C, the LED lumen maintenance expectation according to IES TM-21-11 is: L₉₀ (10k) >60,000 hrs (Reported methodology)

Source Color

LEDs rated for color rendering CRI >80, R9 >0 and fixture to fixture color accuracy within 2 SDCM.

Controls

Available with the following integrated controls:
Response daylight sensor (for single zone).

Mounting

Suspended: tamper-resistant aircraft cable grippers provide infinite vertical adjustment capability. Aircraft cable, crimp and cable gripper are independently tested to meet stringent safety requirements. **Wall:** Steel mounting brackets provided, spaced 4ft on center, fixture held 3/4" from wall.

Joints

Self-aligning joining system with hands-free pre-joining wire access.

Approvals

Certified to UL, CSA and IES standards.

Warranty

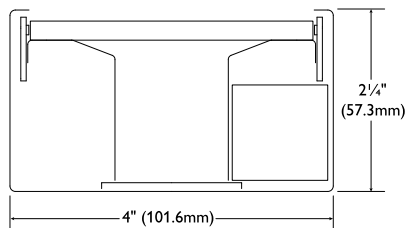
Philips indoor professional luminaires 5 year LED warranty: <http://www.philips.com/warranties>

Environment

Rated for dry or damp locations in operating ambient temperatures 0-40°C (32-104°F). Certain luminaire components may be adversely affected by contaminants. Damage caused by sulfur, chlorine, petroleum based solutions or other contaminants in the area of operation are not covered under warranty. Not suitable for natatorium environments.

Due to continuing product improvements, Philips Ledalite reserves the right to change the specifications without notice.

Dimensions - Cross Section



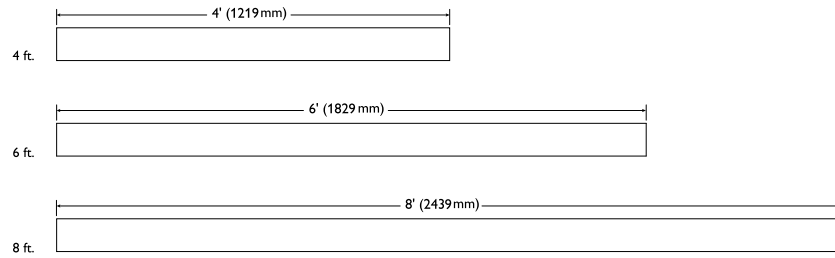
Chopstick Suspended

3400 lm/4ft

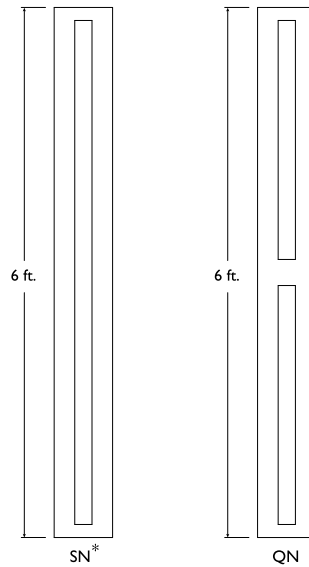
3000/3500/4000K

Dimensions - Modules

Modules



Optics and Styles



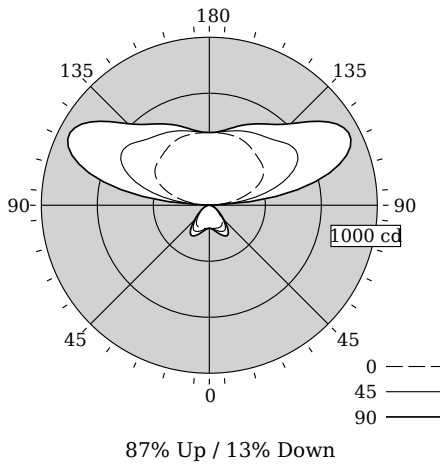
*SN optic is only available in 6ft modules

Chopstick Suspended

3400 lm/4ft

3000/3500/4000K

Photometry - 3500K



Candela Distribution

Vertical Angle	Horizontal Angle				Zonal Lumens	
	0	22.5	45	67.5		
0	137	137	137	137	0	
5	139	137	139	140	13	
15	142	144	154	162	44	
25	145	152	172	193	79	
35	133	143	167	190	102	
45	96	100	112	122	86	
55	60	61	66	69	59	
65	36	37	39	39	38	
75	16	18	18	18	19	
85	3	4	5	5	5	
90	0	0	0	0	0	
95	68	83	127	205	244	155
105	224	270	406	626	740	464
115	339	404	573	808	930	593
125	391	455	605	777	864	550
135	406	450	549	645	667	426
145	424	450	514	569	591	321
155	437	450	487	519	530	225
165	437	442	457	469	473	130
175	434	432	436	437	436	42
180	433	433	433	433	433	0

Values per 4ft unit

Fixture photometry has been conducted in accordance with IESNA LM-79-08

IES files for this and other photometric options can be downloaded online at www.lightingproducts.philips.com

Coefficients of Utilization (%)

RCR	Ceiling											
	70	50	30	10	70	50	30	10	50	30	10	0
0	98	98	98	98	86	86	86	63	63	63	13	0
1	90	86	82	79	78	75	72	55	53	52	11	0
2	82	75	69	64	71	66	61	48	45	43	10	0
3	75	66	59	54	65	58	52	43	39	36	8	0
4	68	58	51	45	59	51	45	38	34	31	7	0
5	62	52	44	38	54	45	39	34	29	26	6	0
6	57	46	38	33	50	41	34	30	26	23	6	0
7	53	41	34	29	46	36	30	27	23	20	5	0
8	49	37	30	25	42	33	27	25	20	17	4	0
9	45	34	27	22	39	30	24	22	18	15	4	0
10	42	31	24	19	37	27	21	20	16	14	4	0

Avg. Luminance (cd/m2)

Vertical Angle	Horizontal Angle		
	0	45	90
55	3088	3387	3536
65	2501	2704	2704
75	1766	1987	2097
85	983	1639	1967

Distribution

Hemisphere	87% Up / 13% Down
Peak/Zenith	2.16
Peak Output	935 cd
Glare Control	Meets RP-1-12 recommendations for VDT-Critical spaces

Lighting facts
A Program of the U.S. DOE

Light Output (Lumens) 3352
Watts 31.8
Lumens per Watt (Efficacy) 105

Color Accuracy
Color Rendering Index (CRI) 83

Light Color
Correlated Color Temperature (CCT) 3402 (Bright White)

Warm White | Bright White | Daylight
2700K | 3000K | 4500K | 6500K

Warranty** Yes

All results, except LED Lumen Maintenance, are according to IESNA LM-79-2008: Approved Method for the Electrical and Photometric Testing of Solid-State Lighting. The U.S. Department of Energy (DOE) verifies product test data and results.

** See www.lightingfacts.com/products for details.

Registration Number: F462-LZCJOF (3/20/2014)
Model Number: 7505LBE004
Type: Luminaire - Linear

Chopstick Suspended

3400 lm/4ft

3000/3500/4000K

Optical Performance

Flux (lm)	3445	3352	3200
Efficacy (lm/W)	108.0	105.4	100.9
Power (W)	31.9	31.8	31.7
CCT (K)	3916	3402	3031
CRI	82	83	82
R9	10	9	8
x	0.3859	0.4120	0.4361
y	0.3851	0.3962	0.4062
Duv	0.0020	0.0010	0.0010

Electrical Performance - 3500K

Input Voltage	120V	277V	347V
Input Power	31.8W	31.7W	25.0W
Input Current	0.27A	0.13A	0.08A
Power Factor	0.985	0.887	0.943
Total Harm. Distortion	15.7%	20.2%	12.0%
Tested values – contact technical support for rated values. Off-state power zero unless certain controls are specified.			

