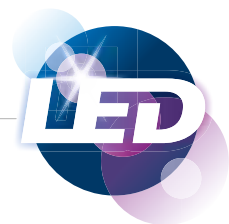




SmartBalance – combining performance with smart design

Advanced, elegant and energy efficient



PHILIPS



Getting the balance right

Maybe you're looking to specify a luminaire for office lighting and you're interested in reducing the energy or overall operational costs on your project. Perhaps your agenda is to find a more elegant lighting solution that not only meets the required lighting standards but looks good too. Or you need a lighting solution that blends in rather than stands out, to fit with the design aesthetics of your building. Meet SmartBalance, the new flexible and energy efficient luminaire family from Philips.

4/5	Performance with clear value
6/7	Beauty and flexibility
8/9	Design plus performance
10/11	SmartBalance surface mounted and suspended optics and features
12/13	SmartBalance free floor standing features and benefits
14/15	ActiLume Wireless
16/19	Case study: Plantteams.ch AG, Kaegiswil, Switzerland
20/23	Lighting design
24/27	Case study: Tomra, Brunn am Gebirge, Austria
28	Ease of installation
29/30	Specification
31	Choice sheet and ordering codes



Performance with clear value

Whatever your priorities, your goals can now be achieved by using one elegant LED lighting solution that delivers exceptional performance (up to 113 lumens per watt system efficacy with SmartBalance free floor standing) at a reasonable cost. SmartBalance has been designed as a better alternative to traditional T5 and PL-L lighting, whilst offering next generation style and adaptability. Reliable and sustainable, its long lifetime LED technology reduces energy use, also helping to reduce carbon impact, whilst simultaneously enhancing the appeal of your office space. When using controls for presence detection and daylight harvesting, you can easily save an additional 50% on the rated energy consumption level.

Surface mounted

Suspended

Free floor standing



Beauty and flexibility

Stand out or blend in? As a suspended luminaire, SmartBalance's soft, pleasing curves and award-winning minimal design can add appeal to any ceiling. As a surface mounted luminaire, it's as unobtrusive as you need it to be, preventing clutter on the ceiling – fitting seamlessly with your interior architecture concept. And as a free floor standing luminaire it lights up two desks with one luminaire, while blending into the environment thanks to its compact design.

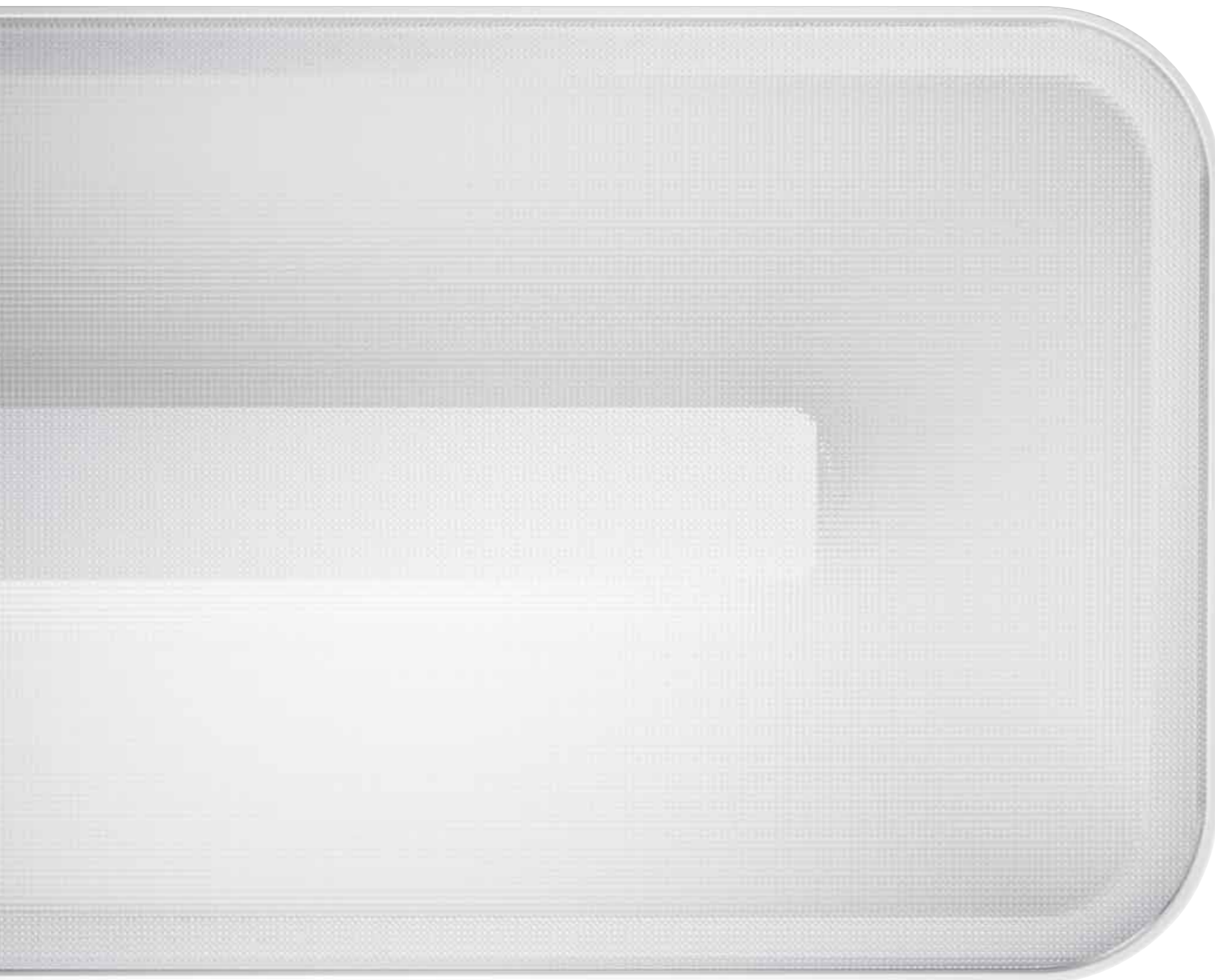
So if you've been waiting for a genuine alternative to T5 and PL-L, we're happy to announce that it's here. Energy efficient, elegant and excellent value for money office lighting has finally arrived. Its name is SmartBalance.



The design perspective

Lilian Marijnissen
Senior Design Consultant, Philips Lighting

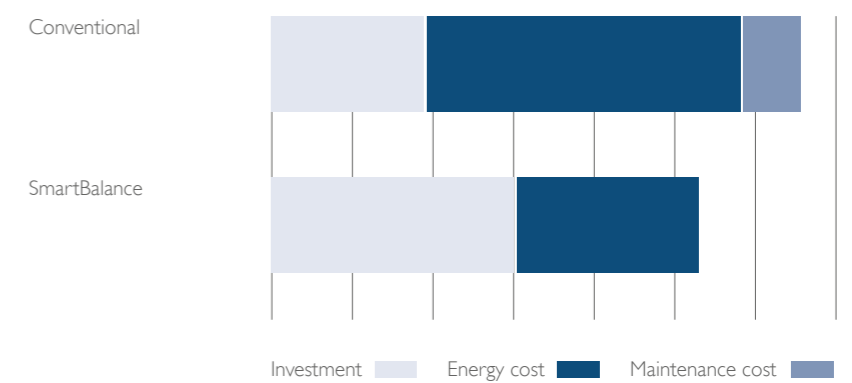
“The design challenge for us with SmartBalance was to bring good value to a dedicated LED office luminaire, whilst achieving good lighting performance and creating something unobtrusive in the office space. The luminaire has a softened geometry, where the volume is optimized around the LED technology, reducing it to its essentials to meet our aim of ‘celebrating light’. High standards were set for detailing, finishing and production within challenging cost targets – our ultimate goal being to set a new standard for LED office luminaires.”



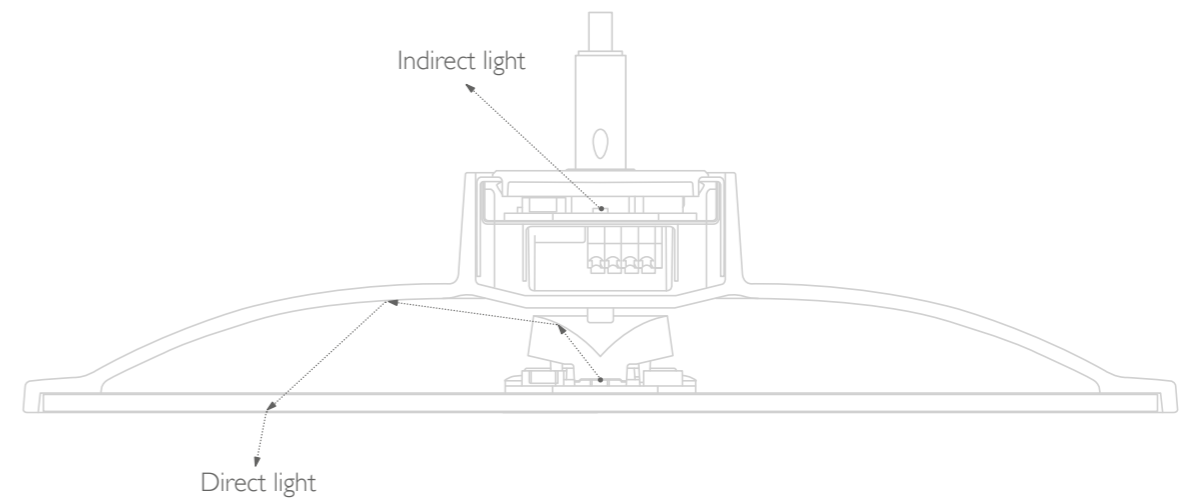
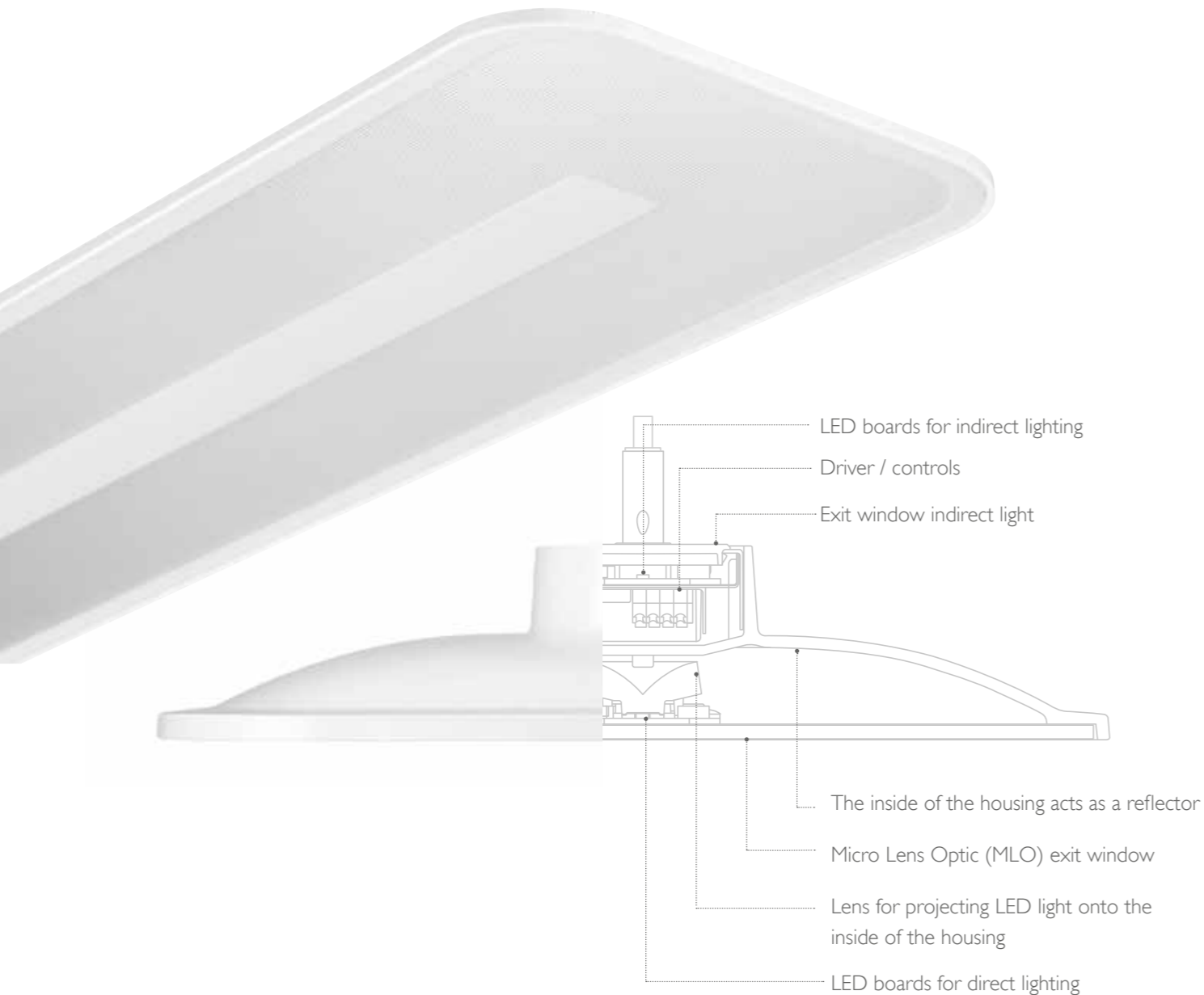
Design plus performance

Our goal with SmartBalance was to give you the best of both worlds – to create an effective and flexible lighting solution, suitable for a wide range of office applications, without compromising on design. The result is a contemporary luminaire that offers excellent lighting performance with clean design, attractive profiles and detailing – whether suspended, surface mounted or free floor standing.

Total cost of ownership at 50,000 hrs



SmartBalance surface mounted and suspended optics and features



Direct and indirect lighting

One of the benefits of using a suspended luminaire is the opportunity to add indirect lighting to create a more spacious room. When using SmartBalance (SP482P) with both direct and indirect lighting, you will be able to create the right light levels needed for visual performance using direct light, but will also greatly enhance the comfort level and look and feel of the space through indirect light from the luminaire, to create brighter ceilings and walls.



Smart coupling

If you want to limit the number of power cables feeding the luminaires you can consider using a coupling piece to make a connected line of up to three luminaires.



Wireless control

With ActiLume Wireless (ACW-NS), personal control and lighting controls can be installed without the need for additional wiring, offering convenience, flexibility and aesthetic benefits. It is ideal for lighting installations where it is difficult to pull in additional control wires.



Emergency lighting

Optionally you can equip SmartBalance with an emergency lighting function (EL1.5-LED). The indication LED is positioned on the front of the gear tray.



Advanced optics

SmartBalance uses state-of-the-art optics technology. The light generated by the LED boards is guided through a dedicated lens and is internally reflected by a high reflective housing. In order to ensure the right office-compliant beam, the light passes through a Micro Lens Optic (MLO) before entering the application space, ensuring the correct spread of light.

OLC micro-lens optic made of clear acrylic (ACC-MLO):

The most efficient solution offering limited brightness (UGR: 19/L65 < 2,200 cd/m²)

OLC micro-lens optic made of acrylic (AC-MLO):

The most comfortable solution offering low brightness (UGR: 16/L65 < 1,500 cd/m²)

OLC micro-lens optic made of polycarbonate (PC-MLO):

The most versatile solution, suitable for emergency lighting and those applications requiring GWT850 offering low brightness (UGR: 16/L65 < 1,500 cd/m²)

Suspension set

SMT1: connection with clips to an exposed T-bar ceiling with two steel-wire suspensions

SM1: suspension set twin metal tubes

SM2: suspension set with ceiling cap and metal tube



SmartBalance free floor standing features and benefits



Stand-alone style

The SmartBalance free floor standing luminaire means you can now have the clean and minimal style of SmartBalance as a stand-alone, plug-and-play solution.

Its compact size offers complete flexibility of placement and the switch panel on the pole allows easy control of the lighting level.

Using the same optical system of independent LED modules for both direct and indirect light as the suspended version, this free floor standing luminaire offers the same comfortable lighting. It also offers maximum energy efficiency through the use of Philips LED technology.



Performance explained

The SmartBalance free floor standing LED luminaire offers 2,000 lumen direct lighting and up to 9,800 lumen indirect (total package 11,800 lumen), suitable for lighting two desks with one luminaire.

A version with 2,000 lumen direct lighting and 2,500 lumen indirect is available to use for applications in which the luminaire is used as an additional source of light. The optic is an OLC micro-lens optic made of clear acrylic (ACC-MLO) which ensures excellent glare control with $L65 < 2,000 \text{ cd/m}^2$.

Power consumption of approximately 106W for the 11,800 lumen version and 40W for the 4,500 lumen version ensures sustainable lighting plans can be made with luminaire efficacy up to 113lm/W.

Lighting workspaces

Direct light focuses on illuminating the task area, while indirect light creates the surrounding light level. Light from a single luminaire is enough for two full workplaces. Two lumen packages are available – an 11,800 lumen combined direct and indirect lighting package, plus a useful 4,500 lumen package for additional lighting, where a general lighting installation already exists but does not offer the required amount of light.



Intuitive user interface

One of the benefits that LED brings to free floor standing luminaires is the possibility to independently switch and dim the direct and indirect lighting. The switch panel is integrated into the pole of the luminaire and has separate buttons for direct and indirect light (on SW versions). Adjusting the lighting level to your personal preference is simply done with a push of a button.



Intelligent controls

The integrated ActiLume system provides huge energy savings and maximum lighting comfort. The system offers both presence detection, turning the luminaire on only when workspaces are in use and daylight harvesting, by measuring the light level on your desk and setting the luminaire to deliver any additional light that is required.



Available in black and silver gray on request





ActiLume Wireless – endless freedom and flexibility

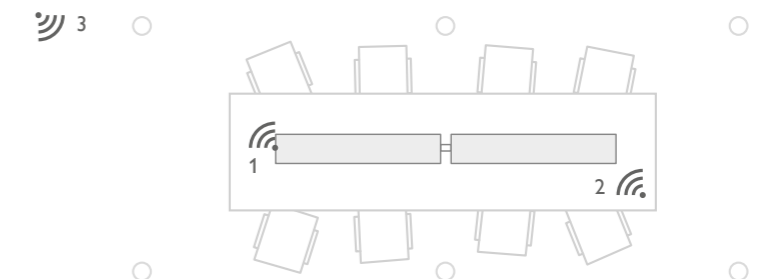


Think controllability without the hassle of data cables – because when you add intelligent control to your system by using ActiLume Wireless, you can do it easily without the need for additional cabling. So if you're restricted by the existing infrastructure, don't want to use 5 wire cables, or simply want to connect your system in the easiest way, then ActiLume Wireless is your ideal choice.

It's perfect for applications where adding new wires is either impossible or too expensive. It suits spaces that need to be changed quickly or upgraded with additional functionality. It's also the easiest way of creating a data network with no need for 5 wire cables (230V + data). This creates opportunities to add functionality later without having a huge cost impact – no additional, expensive wiring is needed after a building is constructed. Where there is no restriction on using data cables, you can pair SmartBalance with wired DALI controls, such as OccuSwitch DALI.

In this meeting room set-up you can easily add a presence detector (3) to work together with SmartBalance luminaires equipped with ActiLume wireless control (1). Commissioning can be done through a remote control (2) that normally would act as a user interface for day to day use.

The remote control allows you to change the light level, set scenes and easily recall scene settings for presentations or meetings.



1 ActiLume Wireless controller inside SmartBalance

2 Wireless Scene Remote

3 OccuSwitch Wireless corner sensor



Case study



Energy-saving lighting for a creative environment

Project overview:

Customer and project
Planteams.ch AG, Kaegiswil, Switzerland

Project team

Planteams.ch AG: Hampi Lussi – management
L&G Inventron AG: Urs Stöckli, Cornel Waldvogel – project management
Philips Lighting: Giancarlo Biasone – lighting consultant

Lighting Solution

SmartBalance suspended

Key features

- Attractive, glare-free LED luminaire, suitable for office use
- Energy savings of up to 30% compared to conventional TL5 fluorescent lighting
- Long lifetime – 50,000 hours

Our client

Swiss architect practice Planteams.ch AG describes itself as 'a competent advisor and personal guide to the realization of individual real estate ideas throughout central Switzerland'. Their work focuses on the planning and execution of single and multi-family houses and commercial buildings as well as rural residential and farm buildings. They also offer energy consultancy. The firm has a modern office space, with 18 employees in two different locations.

Case study



SmartBalance suspended



Our challenge

The office building in Kägswil is built to Minergie standard – the highest energy standard for new buildings in Switzerland. Therefore the brief for the new first floor office lighting was to achieve significant energy and cost savings. At the same time, the lighting was to offer maximum functionality and be fully integrated into the new office concept. Essential for staff was a delicate, unobtrusive design and excellent lighting providing a 'feel-good effect' for all the five individual offices, plus the open-plan office with its integrated conference corner.

Our solution

The chosen solution was SmartBalance suspended, with neutral white light (4,000K) and DALI lighting controls. SmartBalance combines high performance and efficiency with an appealing elegance – its sleek, flat design fits harmoniously and unobtrusively into the different offices and gives every room in the office an ambience of its own. The award-winning suspended version features both direct with indirect light to brighten ceilings, which helps to give the working environment a greater sense of space. SmartBalance offers high quality, uniform and office compliant lighting – achieved by a combination of sophisticated Micro Lens Optics, plus attractive and unobtrusive 'wing' styling.

The results

Highly efficient due to its use of LED and innovative optics, SmartBalance achieves a luminous efficacy of up to 96 lumens per watt. This is reflected in reduced energy consumption, which is up to 30% lower than comparable TL5 fluorescent lamps. Further energy savings have been realized by the use of dimmable DALI controls and its long lifetime of 50,000 hours ensures low maintenance costs. As a modern office luminaire, SmartBalance also supports wellbeing and productivity in the workplace. Its comfortable, high-quality light promotes concentration and helps to reduce fatigue.

Hampi Lussi, CEO of Planteams.ch is delighted: "We are all enthusiastic about the solution and we very quickly made a decision to equip our second floor offices with this great LED light – soon we will also convert our other spaces."



The client perspective

Hampi Lussi
CEO Planteams.ch AG

"Believe me, architects are not easily satisfied. However, we are convinced by the performance, energy efficiency and the really nice design. We now have light all around us in our new office."

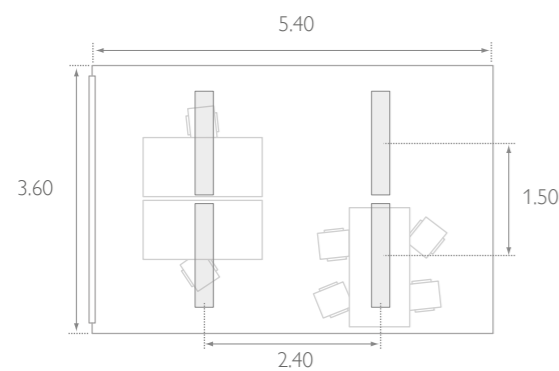
Lighting design

Cell office



SmartBalance SM480C 1xLED35S/840 PSD ACC-MLO
Measurements in meters

Savings of up to
30%
possible
using LED



Base values	
Ceiling height	2.8m
Mounting height	2.8m
Luminaire spacing	2.4 x 1.5m
Reflection factors (ceiling/wall/floor)	70%/50%/20%
Task area height	0.75m
Maintenance factor	0.8

Summary

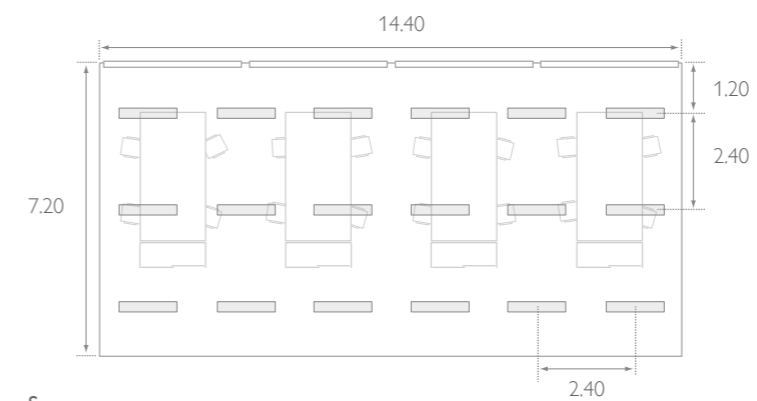
	Type	# lums	Sys. power	\bar{E}_m [lux]	U_o	W / m ²	W / m ² / 100lux
SmartBalance LED	SM480C W24L134 1xLED35S/840 PSD ACC-MLO	4	4x40W	514	0.65	8.23	1.60
Fluorescent T5 alternative (typical)	SmartForm TCS460 1xTL5-49W/840 HFP D8	4	4x55W	525	0.67	11.32	2.16

Open plan office



SmartBalance SP482P 1xLED40S/840 PSD AC-MLO
Measurements in meters

Savings of up to
25%
possible
using LED



Base values	
Ceiling height	2.8m
Mounting height	2.4m
Luminaire spacing	2.4 x 2.4m
Reflection factors (ceiling/wall/floor)	70%/50%/20%
Task area height	0.75m
Maintenance factor	0.8

Summary

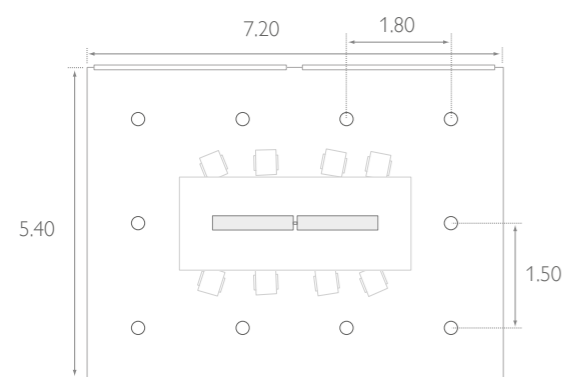
	Type	# lums	Sys. power	\bar{E}_m [lux]	U_o	W / m ²	W / m ² / 100lux
SmartBalance LED	SP482P W24L134 1xLED40S/840 PSD AC-MLO	18	18x48W	534	0.76	8.33	1.56
Fluorescent T5 alternative (typical)	SmartForm TPS462 2xTL5-28W/840 HFP D8	18	18x62W	530	0.73	10.76	2.03

Lighting design

Meeting room



SmartBalance SP480P 1xLED30S/840 PSD AC-MLO
Measurements in meters



Savings of up to
30%
possible
using LED**

Base values	
Ceiling height	2.8m
Mounting height	2.4m
Luminaire spacing	n.a.
Reflection factors (ceiling/wall/floor)	70% / 50% / 20%
Task area height	0.75m
Maintenance factor	0.8

Summary

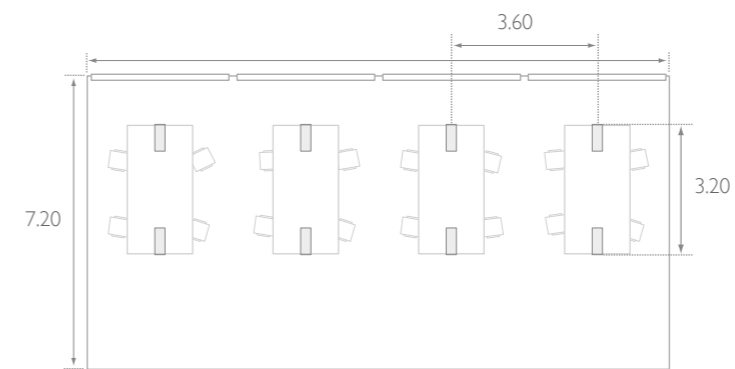
Type	# lums	Sys. power	\bar{E}_m^* [lux]	U_o^*	W / m ²	W / m ² / 100lux	
SmartBalance LED	SmartBalance SP480P W24L134 1xLED30S/840 PSD AC-MLO	12	350W	664	0.741	9.00	1.36
Fluorescent T5 alternative (typical)	SmartForm TPS460 1xTL5-49W HFP z*	12	380W	683	0.711	9.77	1.43

* Results include 10 LuxSpace downlights BBS499 1xDLED-4000 C
** Energy saving of pendant luminaires, excluding downlights

Open plan office with free floor standing



SmartBalance FS484F LED118S/840 PSD-T MLO
Measurements in meters



Savings of up to
40%
possible
using LED

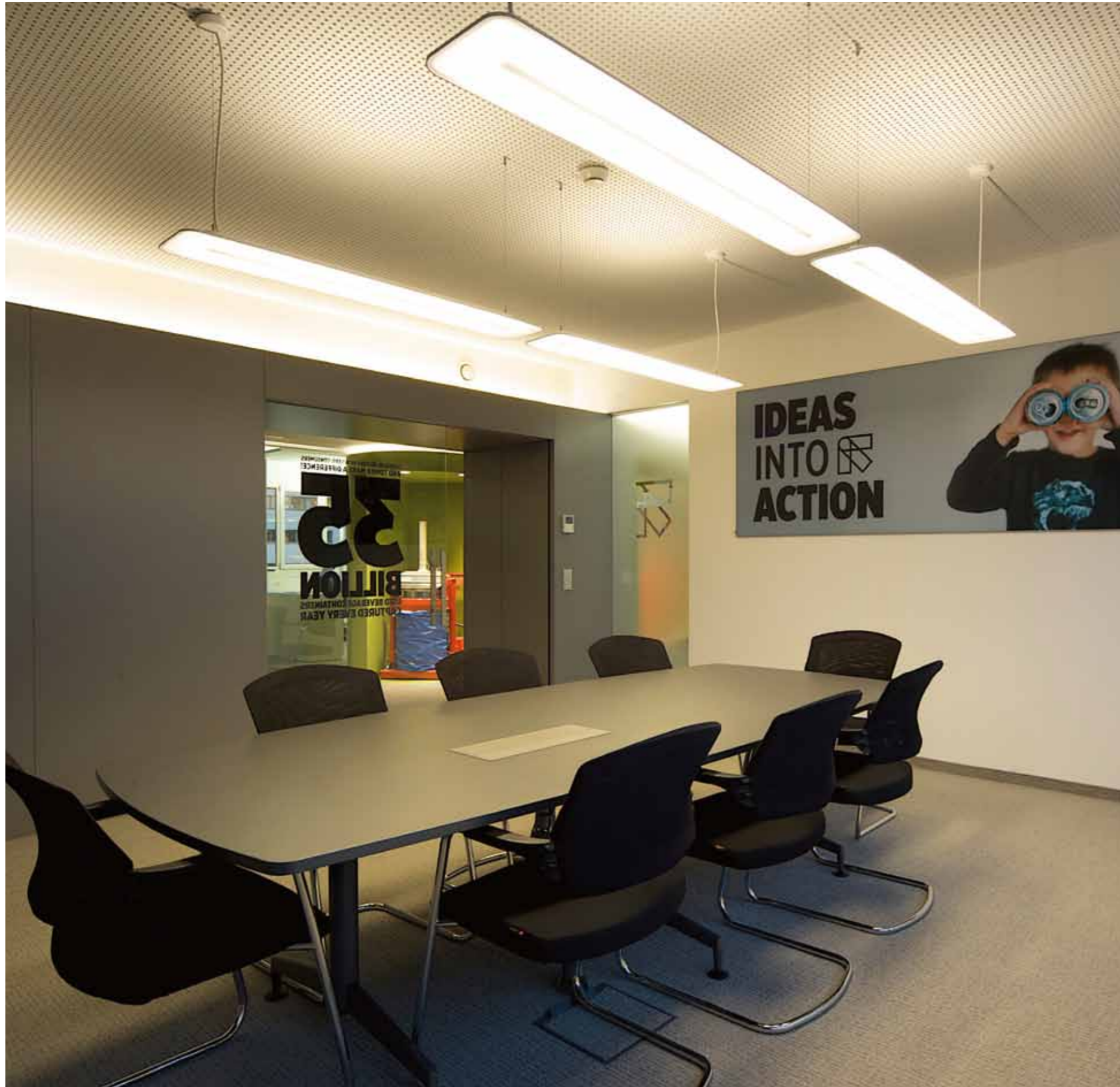
Base values	
Ceiling height	2.8m
Mounting height	2.0m
Luminaire spacing	3.6 x 3.2m
Reflection factors (ceiling/wall/floor)	70% / 50% / 20%
Task area height	0.75m
Maintenance factor	0.8

Summary

Type	# lums	Sys. power	\bar{E}_m^* [lux]	U_o^*	W / m ²	W / m ² / 100lux	
SmartBalance LED	SmartBalance FS484F LED118S/840 PSD-T MLO	8	8x106W	736	0.76	8.18	1.53
Fluorescent T5 alternative (typical)	Savio FFS764 3xPL-L55W HFP AC-MLO	8	8x171W	730	0.71	13.19	2.56

* Results on full desk surface

Case study



A two-part strategy, right first time

Project overview:

Customer and project
Tomra, Brunn am Gebirge, Austria

Project team

Tomra, Roman Postl – sales manager; Frey Wolfgang – service manager
Frötscher x Prader Architects, Helmut Frötscher – architect
Next Office, Andreas Horvath – lighting planning
Philips Lighting, Roman Vögler – lighting consultancy

Lighting Solution

SmartBalance free floor standing, SmartBalance suspended

Key features

- Design-oriented LED lighting with high energy efficiency
- Warm white light color throughout for a relaxed look
- Long lifetime – 50,000 hours

Our client

For over 40 years, Norway-based company Tomra has been the international leader in collecting recyclable packaging for drinks and other goods. Their 'reverse vending machines' now collect around 30 billion drinks containers per annum. ORWAK balers, used to compress waste into secure bales ready for recycling, ensure that clients save approximately 50,000 transport journeys, 700,000 liters of fuel and up to 50% in disposal costs, due to the resulting space saved.

Case study

SmartBalance free floor standing, double workplace



SmartBalance free floor standing, single workplace



Flexible solution to give light where it is needed

Our challenge

Tomra's subsidiary in Brunn am Gebirge in Austria wanted a modern LED lighting concept for their new 440 m² office floor, that includes an integrated demonstration room, meeting rooms, an open plan office and individual offices. Their brief asked for two aspects to be considered in the lighting solution – firstly to focus on ecological considerations, which, as it operates in the environmental sector, is of major importance to the company. Secondly, the solution needed to comply with lighting norms, be decorative and emit a warm white color throughout – the goal being to generate a comfortable atmosphere for clients and staff alike.

An additional challenge was to provide the most effective and aesthetically pleasing lighting for the product cylinders in the demonstration room, which are covered in green acoustic felt made from recycled PET bottles.

Our solution

Architect Helmut Frötscher in collaboration with Andreas Horvat at Next Office, devised a harmonious and innovative LED lighting solution that combined SmartBalance suspended luminaires with newly developed SmartBalance free floor standing luminaires, to give a 'family' feel. These were installed for the first time in all of the offices, meeting rooms and the sales room. Each energy-efficient and attractive designer luminaire, with its all-round, glare-free optics and outstanding color reproduction, complies with all the requirements and norms needed to illuminate a double workspace. With their combination of direct and indirect light, they also brighten up the ceiling, making rooms seem larger and more spacious. The 3,000K warm white light conveys a cosy overall impression. A control system based on daylight harvesting and human presence detection ensures maximum energy savings.

The results

This choice of lighting provided Tomra with an integrated lighting solution. The high level of energy efficiency and the long service life of up to 50,000 operating hours meet the company's ecological standards, as does the daylight and presence-based control system for the SmartBalance standard luminaires. Implementing them at all of the computer workstations contributes to staff wellbeing and motivation throughout the workplace, where the high-quality lighting aids concentration. In the demonstration room, an intelligent mix of lighting accentuates the presentation cylinders visually and reinforces the impression that the technology on display is sophisticated and performs well.

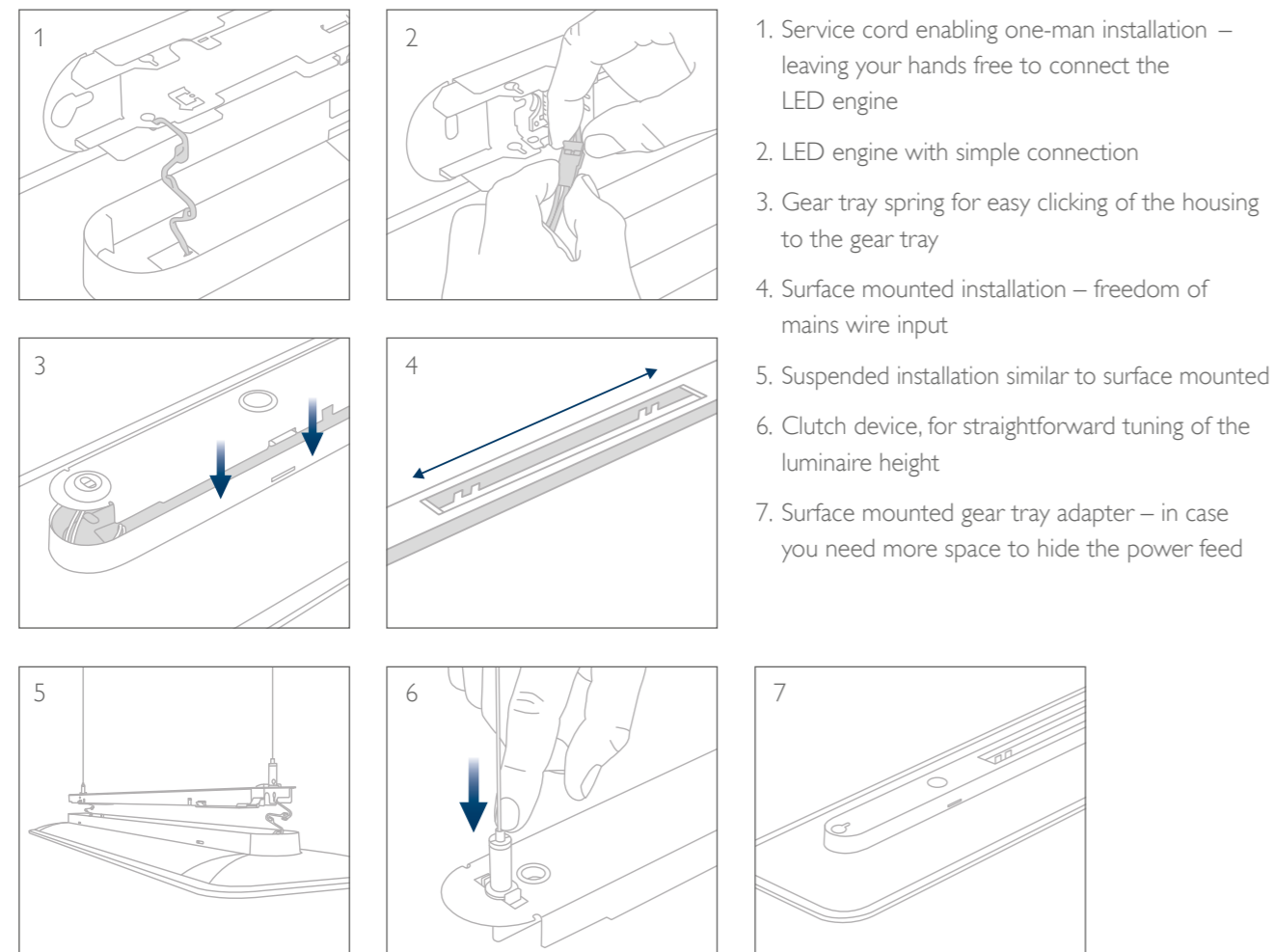
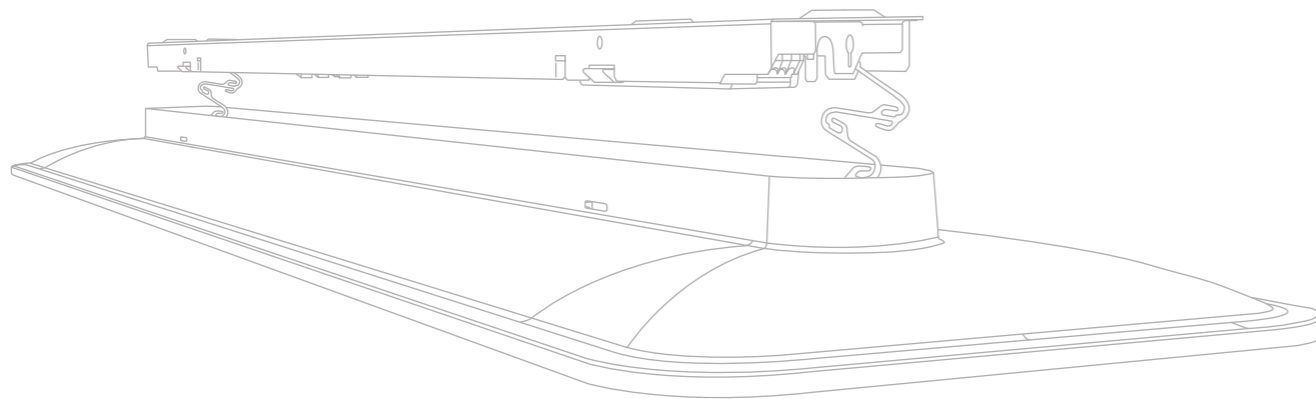
"It's unusual to see all of the requirements being met and a concept being implemented 1:1 as planned. Everyone loves the results."

Helmut Frötscher, Architect

Ease of installation

We have aimed to make installation as simple as possible. SmartBalance surface mounted and suspended luminaires consist of two parts, a gear tray and a housing that can be easily clicked together, both in surface mounted and suspended installation. As standard we offer some installation features to make your life easier – like a service cord, connectors, freedom of mains input for surface mounted and a clutch device for the suspended version. As an option, in case you need more space to hide the power feed, you can also choose a surface mounted gear tray adapter.

SmartBalance free floor standing comes pre-wired with a cord and a plug. Installation requires the base plate and the luminaire head to be connected to the pole of the luminaire.



Specification

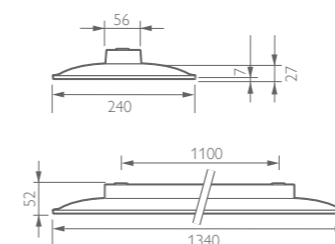
SmartBalance surface mounted

Type	SM480C
Light source	Philips Fortimo LED Line 1R
Power (+/-10%)	40 W (4000K / ACC-MLO)
Luminous flux	3000 or 3500lm
Correlated color temperature	3000 or 4000K
Color rendering index	≥ 80
Median useful life L90B50	25,000 hours at 25 °C
Median useful life L80B50	50,000 hours at 25 °C
Operating temperature range	+10 to +40 °C
Driver	Built-in
Mains voltage	220-240 V / 50-60 Hz
Dimming	Dimmable
Controls system input	DALI
Options	Emergency lighting: 1.5 hours ActiLume Wireless
Material	Housing: polycarbonate and sheet metal Cover/optic: PMMA or polycarbonate
Color	White (WH) or silver grey (SI)
Optic	OLC micro-lens optic made of acrylic (AC-MLO) OLC micro-lens optic made of clear acrylic (ACC-MLO) OLC micro-lens optic made of polycarbonate (PC-MLO)
Connection	Push-in connector (PI)
Maintenance	Optical module sealed for life; no internal cleaning required
Installation	Individual; locking the luminaire into pre-mounted ceiling plate (delivered with the luminaire) Through-wiring possible Optional: use of surface mounted gear tray adapter

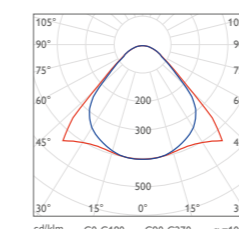
SmartBalance suspended

Type	SP480P (direct lighting version) SP482P (direct/indirect lighting version)
Light source	Philips Fortimo LED Line 1R
Power (+/-10%)	SP480P: 40 W (4000K / ACC-MLO) SP482P: 42 W (4000K / ACC-MLO)
Luminous flux	3000, 3500 or 4000lm
Correlated color temperature	3000 or 4000K
Color rendering index	≥ 80
Median useful life L90B50	25,000 hours at 25 °C
Median useful life L80B50	50,000 hours at 25 °C
Operating temperature range	+10 to +40 °C
Driver	Built-in
Mains voltage	220-240 V / 50-60 Hz
Dimming	Dimmable
Controls system input	DALI
Options	Coupling piece (to connect up to 3 luminaires) ActiLume Wireless
Material	Housing: polycarbonate and sheet metal Cover/optic: PMMA or polycarbonate
Color	White (WH) or silver grey (SI)
Optic	OLC micro-lens optic made of acrylic (AC-MLO) OLC micro-lens optic made of clear acrylic (ACC-MLO) OLC micro-lens optic made of polycarbonate (PC-MLO)
Connection	Push-in connector (PI)
Maintenance	Optical module sealed for life; no internal cleaning required
Installation	Suspended mounting with a set of single steel-wire suspensions including a power cord, 170 cm Suspension set SM1: set with twin metal tubes Suspension set SM2: set with ceiling cap and metal tube Suspension set SMT1: connection with clips to an exposed T-bar ceiling with two steel-wire suspensions Fast fine adjustment with clutch device (Reutlinger) Through-wiring possible Optional: coupling piece for mechanical and power/data connection of up to three suspended luminaires

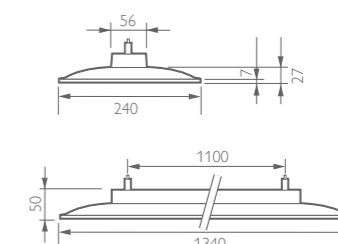
Surface mounted SM480C



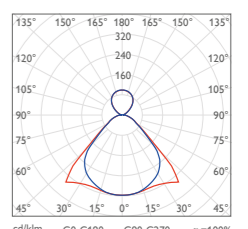
SM480C W24L134
LED35S-840 ACC-MLO



Suspended SP482P direct/indirect lighting



SP482P W24L134
LED40S-840 ACC-MLO



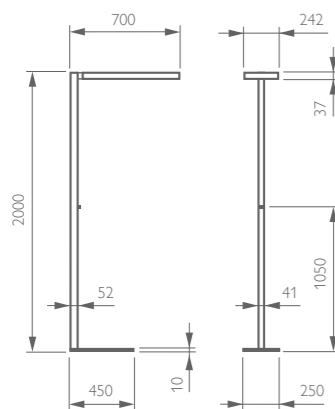
Specification



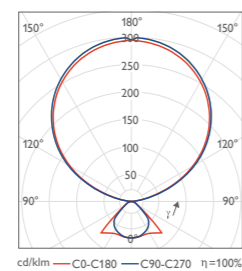
SmartBalance free floor standing

Type	FS484F
Light source	Philips Fortimo LED Line 1R
Power (+/-10%)	106 W (LED118S version for standalone lighting applications, 4000 K) 40 W (LED45S version for supporting lighting applications, 4000 K)
Luminous flux	11,800 lm (LED118S, 4000K) 4500 lm (LED45S, 4000K)
Correlated color temperature	3000 or 4000K
Color rendering index	≥80
Median useful life L90B50	25,000 hours at 25 °C
Median useful life L80B50	50,000 hours at 25 °C
Operating temperature range	+10 to +40 °C
Driver	Built-in
Mains voltage	220-240 V / 50-60 Hz
Dimming	Dimmable via touch button
Options	Dimming of direct and indirect light separately (SW) Swiss power plug (CCH)
Material	Head and pole: lacquered aluminum Base: lacquered steel
Color	White (WH) similar to RAL 9003 Other colors available on request
Optic	Micro-lens optic, clear acrylate (ACC-MLO)
Connection	Cable, length 250 cm, with plug CEE7 (CCE)
Maintenance	Optical module sealed for life; no internal cleaning required
Installation	Luminaire comes pre-wired with a mains plug

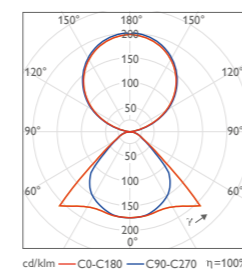
Free floor standing FS484F



FS484F
LED118S/840 MLO



FS484F
LED45S/840 MLO



Choice sheet and ordering codes

Choice sheet for surface mounted and suspended

Type	Lumen package	Color temperature	Driver	Controls
SM480C	LED30S ⁽¹⁾	830	PSR	No
SP480P	LED35S ⁽¹⁾	840	PSD	ACW-NS ⁽³⁾
SP482P	LED40S ⁽²⁾		PSD-T	
Optics	Emergency lighting	Suspension set ⁽⁷⁾	Color housing	Cable ⁽⁷⁾
PC-MLO ⁽⁴⁾	No	No	WH	No
AC-MLO ⁽⁴⁾	EL1.5-LED ⁽⁶⁾	SM1	SI	C1700-5-WH ⁽⁸⁾
ACC-MLO ⁽⁵⁾		SMT1		C1700-5P-SI ^{(8) (9)}
		SM2		C1700-3-WH ⁽³⁾
				C1700-3P-SI ^{(3) (9)}

1 : Not for SP482P
2 : Not for SM480C / SP480P
3 : Not for driver types PSD / PSD-T
4 : Not for lumen package LED35S
5 : Not for lumen package LED30S
6 : Not for SP480P / SP482P; not icw ACW-NS, ACC-MLO, AC-MLO
7 : Only for SP480P / SP482P
8 : Not for ACW-NS
9 : Not for color housing WH

Product ID	European ordering code	Product ID	European ordering code
Surface mounted		Coupling piece for suspended	
SM480C LED30S/830 PSD W24L134 AC-MLO PI	27350900	SP480Z CP WH	26503000
SM480C LED30S/840 PSD W24L134 AC-MLO PI	27349300	SP480Z CP SI	26504700
SM480C LED35S/830 PSD W24L134 ACC-MLO PI	27352300	Accessories for ActiLume Wireless	
SM480C LED35S/840 PSD W24L134 ACC-MLO PI	26756000	LRM1770/10 OS Wireless Corner sensor	25061600
SM480C LED30S/830 PSD W24L134 PC-MLO PI	27354700	UID8410/10 Wireless Scene Remote HH	25669400
SM480C LED30S/840 PSD W24L134 PC-MLO PI	27353000	Free floor standing	
Suspended direct lighting		FS484F LED45S/840 PSD-T MLO WH	27374500
SP480P LED30S/830 PSD W24L134 AC-MLO SM2	27356100	FS484F LED45S/840 PSD-T MLO ACL WH	27375200
SP480P LED30S/840 PSD W24L134 AC-MLO SM2	27355400	FS484F LED118S/840 PSD-T MLO SW WH	27376900
SP480P LED30S/840 PSD W24L134 AC-MLO SM2	27358500	FS484F LED118S/840 PSD-T MLO ACL WH	27377600
SP480P LED35S/840 PSD ACC-MLO SM2 PI	26757700	FS484F LED45S/830 PSD-T MLO WH	27378300
SP480P LED30S/840 PSD PC-MLO SM2 PI SI	26710200	FS484F LED45S/830 PSD-T MLO ACL WH	27379000
Suspended direct / indirect lighting		FS484F LED113S/830 PSD-T MLO SW WH	27380600
SP482P LED40S/840 PSD W24L134 AC-MLO SM2	27359200	FS484F LED113S/830 PSD-T MLO ACL WH	27381300
SP482P LED40S/830 PSD W24L134 AC-MLO SM2	27360800		
SP482P LED40S/830 PSD ACC-MLO SM2 PI	27362200		
SP482P LED40S/840 PSD ACC-MLO SM2 PI	26758400		
SP482P LED40S/830 PSD W24L134 PC-MLO SM2	27364600		
SP482P LED40S/840 PSD W24L134 PC-MLO SM2	27363900		

All luminaires mentioned in the above overview have a white housing

Visit the Philips Lighting website to find out more about the benefits of SmartBalance and the options to suit your requirements



Save an additional 30% energy with OccuSwitch Wireless, our smart sensor solution which is easy to install and offers maximum flexibility



For more information on Office Lighting visit
www.philips.com/ledsinoffices



©2014 Koninklijke Philips N.V.

All rights reserved. Reproduction in whole or in part is prohibited without the prior written consent of the copyright owner. The information presented in this document does not form part of any quotation or contract, is believed to be accurate and reliable and may be changed without notice. No liability will be accepted by the publisher for any consequence of its use. Publication thereof does not convey nor imply any license under patent – or other industrial or intellectual property rights.

Document order number: SmartBalance#2 03/14