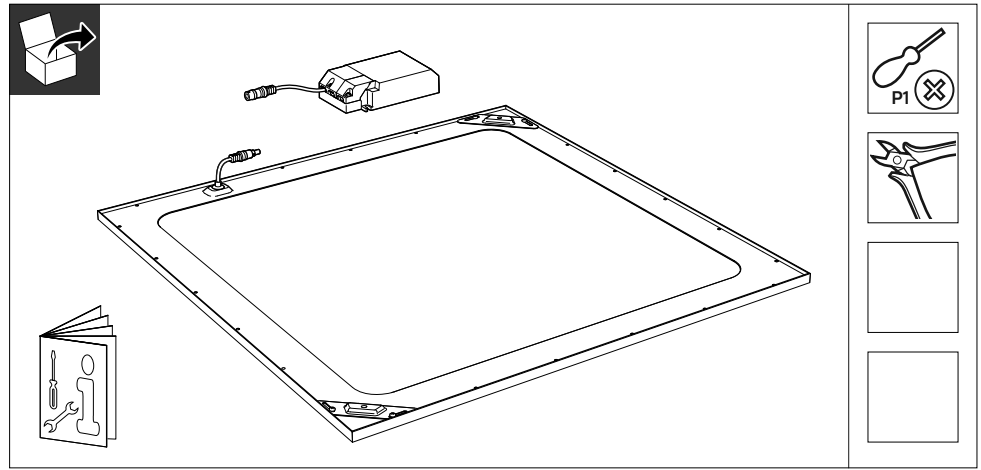


PHILIPS

Ledinaire Panel RC065B

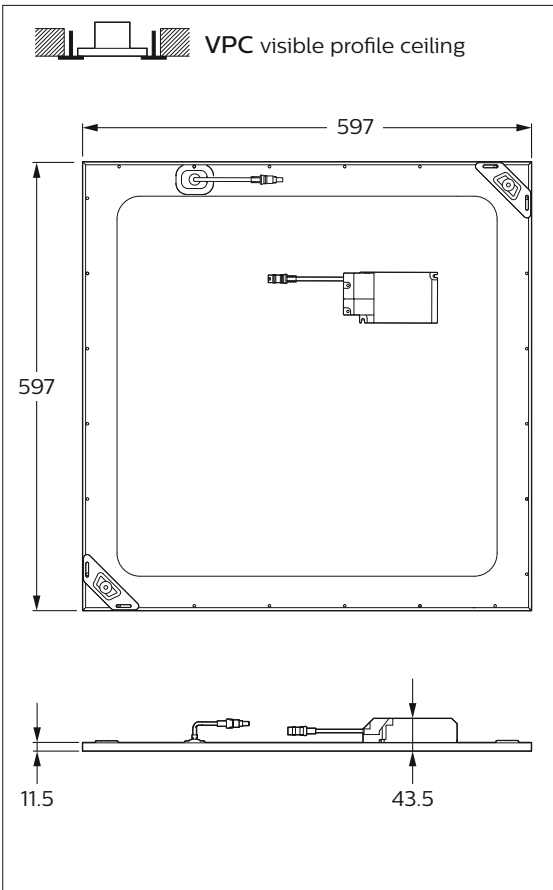
Recessed (VPC)



	Driver	Lumen (lm)	CCT (K)	
RC065B	PSU(42W)	3200	4000	2.7

Optional:

Suspension set: RC125Z SME-2 WH 910930031418 	Surface mounted set: RC125Z SMB W60L60 910930031018 	Plaster set: RC125Z SMB-PLC 910930031318 	Safety cable: RC125Z SC 910930031518
---	--	---	---



The luminaire shall, under no circumstance, be covered with thermal insulation matting or similar material.

The light source of this luminaire is not replaceable; when the light source reached its end of life the whole luminaire shall be replaced.

Inrush current

Electrical characteristics	
I _{max} (A)	5
T _{ref} (μs)	55
MCB	Panels Max.
B-10 A	25
B-13 A	32
B-16 A	40
C-10 A	40
C-13 A	54
C-16 A	68

