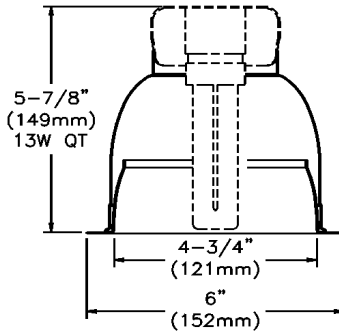


5-1/4" Aperture Specular Cone  
 Compact Fluorescent  
 Ceiling Opening: 5-1/4" (130mm)



Complete fixture consists of Reflector Trim & Frame-in Kit. Select each separately

Reflector Trim	Frame-in-Kit	Lamp
<b>1076CL</b> Specular Clear Alzak	<u>Electronic 120V</u> <b>1001F13N120</b>	<u>Electronic 347V</u> <b>1001F13N347</b>
<b>1076CH-12</b> Specular Chrome	<b>1004ICF13N120</b>	<b>1004ICF13N347</b>
<b>1076BS-12</b> Specular Brass	<b>1004ICRF13N120</b>	<b>1004ICRF13N347</b>
	<b>1004ICXF13N120</b>	<b>1004ICXF13N347</b>
		Uniframe Non IC
		Lytening Frame IC
		Lytening Remodeler IC
		Lytening ICX Frame AirSeal®
		1 x 13W QT
		1 x 13W QT
		1 x 13W QT
		1 x 13W QT

**Reflector** : Hydroformed aluminum, .032" thick ; non-yellowing reflective white ; white trim flange.  
**Cone** : Hydroformed aluminum, .040" thick. Specular finish.

**Accessories**  
**1967B** 2 in (51mm). Thick Ceiling Adaptor

**Frame-in Kit**

See Frame-In Kit specification sheets for more details.

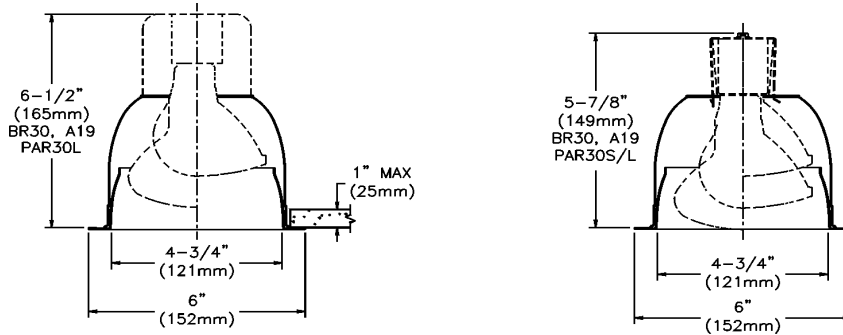
**Finish**

All painted finishes are baked powder or enamel.

**Marking**

cCSAus Certified, suitable for damp locations.

Job Information	Type:
<b>Job Name:</b>	
<b>Cat. No.:</b>	
<b>Lamp(s):</b>	
<b>Notes:</b>	



Complete fixture consists of Reflector Trim & Frame-in Kit. Select each separately

Reflector Trim	Frame-in-Kit		Lamp		
<b>1076CL</b>	<b>1002</b>	Frame Non-IC	75W PAR30L	85W BR30	100W A19
Specular Clear Alzak	<b>1003RS-CDN</b>	Remodeler Ring Non IC	75W PAR30L	85W BR30	100W A19
<b>1076CH-12</b>	<b>1002IC</b>	Frame IC	75W PAR30L	75W BR30	40W A19
Specular Chrome	<b>1004IC-CDN</b>	Lyteneing Frame Non-IC	75W PAR30	85W BR30	40W A19
<b>1076BS-12</b>	<b>1004IC-CDN</b>	Lyteneing Frame IC	50W PAR30	65W BR30	40W A19
Specular Brass	<b>1004ICRS-CDN</b>	Lyteneing Remodeler Non-IC	75W PAR30	85W BR30	40W A19
	<b>1004ICRS-CDN</b>	Lyteneing Remodeler IC	50W PAR30	65W BR30	40W A19
	<b>1004ICX-CDN</b>	Lyteneing ICX Frame AirSeal®	75W PAR30	85W BR30	40W A19

**Features**

**Reflector** : Hydroformed aluminum, .032" thick ; non-yellowing reflective white ; white trim flange.

**Cone** : Hydroformed aluminum, .040" thick. Specular finish.

**Accessories**

**1967B** 2 in (51mm). Thick Ceiling Adaptor

**Frame-in Kit**

See Frame-In Kit specification sheets for more details.

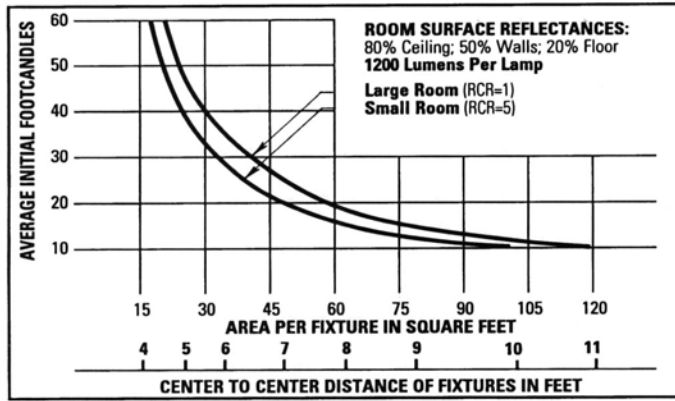
**Finish**

All painted finishes are baked powder or enamel.

**Marking**

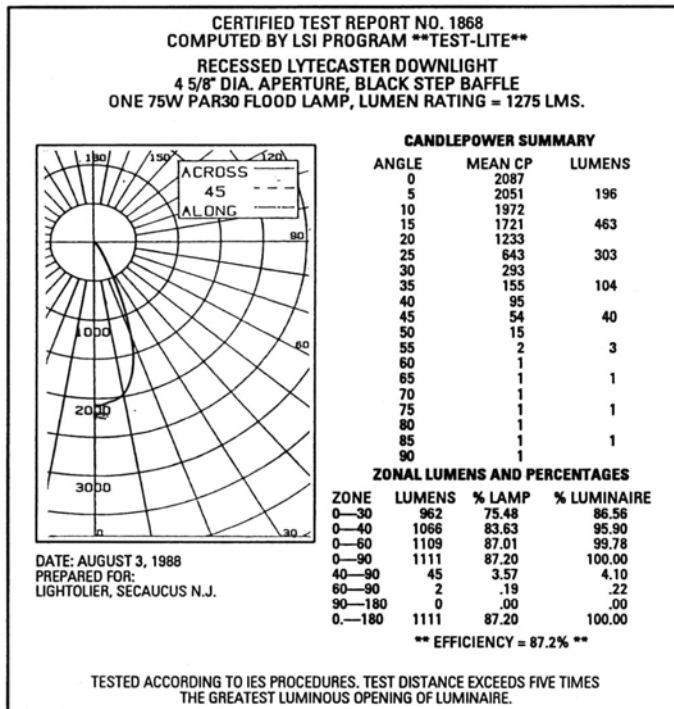
cCSAus Certified, suitable for damp locations.

Job Information	Type:
<b>Job Name:</b>	
<b>Cat. No.:</b>	
<b>Lamp(s):</b>	
<b>Notes:</b>	



Use quick calculator chart to determine the spacing of 75 Watt PAR30 FL units (Black) for a desired level of illumination. Conversion Factors: 75W PAR30 FL, White, F.C. x 1.1.

SPACING RATIO = 0.7



**COEFFICIENTS OF UTILIZATION**  
% EFFECTIVE CEILING CAVITY REFLECTANCE

ROOM CAVITY RATIO	% EFFECTIVE CEILING CAVITY REFLECTANCE															
	80		70		50		30		10		0					
	50	30	10	50	30	10	50	30	10	50	30	10	0			
1	.99	.97	.96	.97	.95	.94	.93	.92	.91	.90	.89	.88	.87	.87	.86	.85
2	.94	.92	.89	.93	.90	.89	.90	.88	.87	.88	.86	.85	.85	.84	.83	.81
3	.90	.87	.85	.89	.87	.84	.87	.85	.83	.85	.83	.82	.83	.82	.81	.80
4	.87	.84	.81	.86	.83	.81	.84	.82	.80	.83	.81	.79	.81	.79	.78	.77
5	.84	.80	.77	.83	.79	.77	.81	.79	.76	.80	.78	.76	.79	.77	.75	.74
6	.81	.77	.75	.80	.77	.74	.79	.76	.74	.78	.75	.74	.77	.75	.73	.72
7	.78	.74	.72	.77	.74	.71	.76	.73	.71	.75	.73	.71	.75	.72	.70	.69
8	.75	.71	.69	.74	.71	.69	.74	.71	.69	.73	.70	.68	.72	.70	.68	.67
9	.72	.69	.66	.72	.69	.66	.71	.68	.66	.71	.68	.66	.70	.67	.66	.66
10	.70	.67	.64	.70	.67	.64	.69	.66	.64	.69	.66	.64	.68	.65	.63	.63

20% FLOOR CAVITY REFLECTANCE

Conversion Factor: 75W PAR30 FL; White, C.U. x 1.1 65W BR30 FL; Black, C.U. x .75; White, C.U. x 1.0.