

Day-Brite

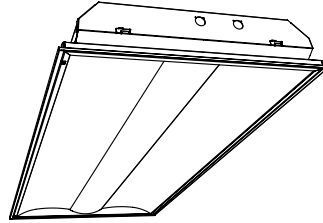
CFI

by  Signify

Recessed

SofTrace 2x4

T5, T5HO, or T8



Project: _____
 Location: _____
 Cat.No: _____
 Type: _____
 Lamps: _____ Qty: _____
 Notes: _____

The Day-Brite / CFI SofTrace recessed brings new meaning to the concept of combining style with performance. Equipped with a fresh streamlined design and innovative technology, SofTrace provides a huge step forward for the lighting industry. The sleek profile design belies the true “horsepower under the hood”. This architectural product now delivers leading edge performance for the most environmentally conscious user.

Ordering guide

Example: 2STG232-D-UNV-1/2-EBLHE-LPT835HL

Width	Family	Ceiling Type	No. of Lamps (not included)	Lamp Type	Center Diffusers	Voltage	Ballast	Ballast Type	Options
2	ST		2	—	—	—	1/2	—	
2 2'	ST Softrace	G Grid F Flange Z Z Spline/ Modular	2	28 28WT5 (46") 32 32WT8 (48") 54HO 54WT5HO (46")	D Diffuse (Ribbed) DS Diffuse (Smooth) PMW Round perf w/ white overlay	120 120V 277 277V 347 347V UNV Universal Voltage 120-277V	1/2 One 2 lamp ballast	EB95 T5 electronic ballast, .95 ballast factor EB115 T5 electronic ballast, 1.15 ballast factor EBS095 T5 electronic step dimming ballast, .95 ballast factor EBS0115 T5 electronic step dimming ballast, 1.15 ballast factor EBS0 T8 electronic step dimming ballast, .88 ballast factor EBD7 Advance Mark 7 dimming ballast, 0-10V (low voltage) control EBDX Advance Mark 10 dimming ballast, phase control EBD Electronic dimming ballast, customer specified EB Electronic ballast, < 10% THD std. ballast factor EBHE T8 electronic ballast, high efficiency std. ballast factor EBLHE T8 electronic ballast, high efficiency low ballast factor EBHHE T8 electronic ballast, high efficiency high ballast factor EB10R T8 electronic ballast, <10% THD, program rapid start	F1 3/8" flex, 3 wire 18 gauge 6' F2 3/8" flex, 4 wire 18 gauge 6' F2/5W 3/8" flex, 5 wire 18 gauge 6' E1 B100 emerg. ballast, T8, 350-450 lumens, 120/277V E1CAN B100-CAN emerg. ballast, Canada market, T8, 350-450 lumens, 120/347V E7 B60 emerg. ballast, T8, 600-700 lumens, 120/277V E5 B50 emerg. ballast, U.S. or Canada market, T8, 1100-1400 lumens, UNV E5CAN B50-CAN emerg. ballast, Canada market, T8, 1100-1400 lumens, 120/347V E5ST B50ST emerg. ballast w/self test, U.S. or Canada, T8, 1100-1400 lumens, UNV E7LP LP550 emerg. ballast T5/T5HO, 430-700 lumens, 120/277V E6LP LP600 emerg. ballast U.S. or Canada market, T5/T5HO, 750-1325 lumens, 120/277V GLR Fusing, fast blow LPT830HL Installed T8/T5 hi lumen lamps, 80+ CRI, 3000K LPT835HL Installed T8/T5 hi lumen lamps, 80+ CRI, 3500K LPT841HL Installed T8/T5 hi lumen lamps, 80+ CRI, 4100K LPT830 Installed T8/T5/T5HO lamps, 80+ CRI, 3000K LPT835 Installed T8/T5/T5HO lamps, 80+ CRI, 3500K LPT841 Installed T8/T5/T5HO lamps, 80+ CRI, 4100K PAF Housing painted after fabrication RIB Ribbed side diffusers CHIC Chicago plenum rated IC Suitable for Type-IC (insulated ceiling)

Accessories (order separately)

- **FMA24** 2'x4' "F" mounting frame for NEMA "F" mounting
- **FKDP24** Flange conversion kit 2'x4'



2ST SofTrace recessed 2x4

T5, T5HO, T8, or CFTT5

Application

- Subtle enclosure curves provide architectural styling to complement any space.
- Smooth brightness across the face of the luminaire prevents glare and provides excellent visual comfort.
- Directs a controlled amount of light to higher angles to eliminate “cave effect” without creating glare.
- Ideal for modern offices, schools and retail environments.
- Excellent optical efficiency and luminaire efficacy provide significant energy savings.
- Many ballast/lamp systems are available, providing flexibility to tailor the luminaire to specific applications.
- Step dimming ballasts can be switched to less than 50% input power for energy savings to meet most energy codes while maintaining symmetrical illumination.
- Grid, Flange or Z-spline/ Modular models available.

Construction/Finish

- One piece die-formed embossed steel housing provides added rigidity, resists damage during shipment/handling.

- Wireway cover is easily removable without tools for quick ballast or wiring access from below.
- T-bar grid clips are built into luminaire ends for quick and easy installation, no extra parts required.
- Suitable for end-to-end mounting.
- End K.O.s for thru wiring or conduit entry in shallow plenums.
- Guide-post spring loaded latches allow easy opening and closing of the enclosure.
- Choice of center sections: smooth or ribbed acrylic, or round perforated steel with overlay.
- Smooth side diffusers standard, ribbed optional.
- Any center section can be used with either side diffuser.

Electrical

- cULus listed for damp locations.
- Emergency ballasts available.
- Systems are available offering electrical system efficacy ratings up to 102 Lumens/Watt.
- Total luminaire efficacy as high as 88 LPW.

Enclosure

- Center section is flush with outer panels, eliminating the dirt and debris collection typical of suspended “baskets.”
- One-piece enclosure hinges down as an assembly for easy access to lamps and ballast from below without tools.
- T-hinges provide secure retention of enclosure and eliminate non-captive parts to hold during servicing.

Energy Data

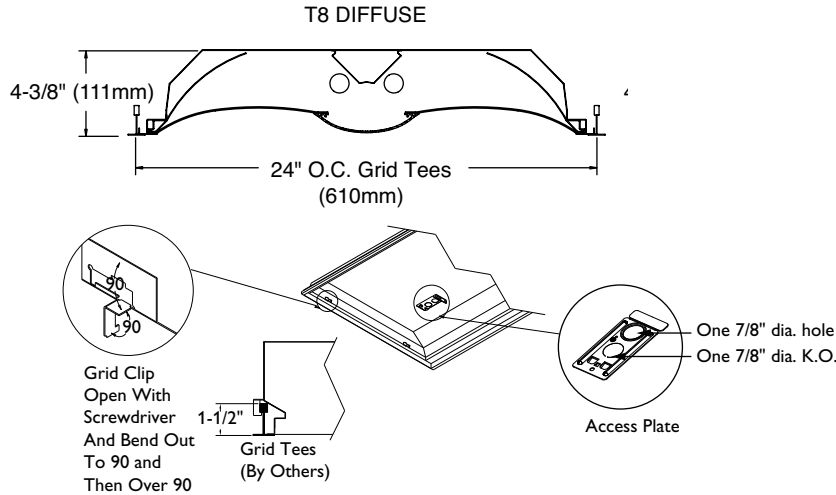
Lamp Type	Ballast Type	Input Power (120/277V)	Electrical System Lumens/Watt	
			Std. Lamps*	Hi-Lumen Lamps
28	EB95	59W / 58W	95	100
	EBS95@hi	59W / 58W	95	100
	EBS95@lo	28W / 28W	73	76
	EB115	71W / 69W	97	102
	EBS115@hi	71W / 71W	94	99
	EBS115@lo	35W / 35W	80	81
	EB	66W / 64W	91	95
32	EB	58W / 58W	85	94
	EB10R	62W / 60W	82	91
	EBHE	55W / 54W	90	100
	EBLHE	47W / 47W	92	102
	EBHHE	74W / 73W	91	100
	EBS@hi	57W / 56W	88	97
	EBS@lo	28W / 28W	60	66
54HO	EB	120W / 117W	85	–

*Standard Lamp T8 values assume 70+CRI 32W lamp. 80+CRI lamps or energy savings lamps are also available.

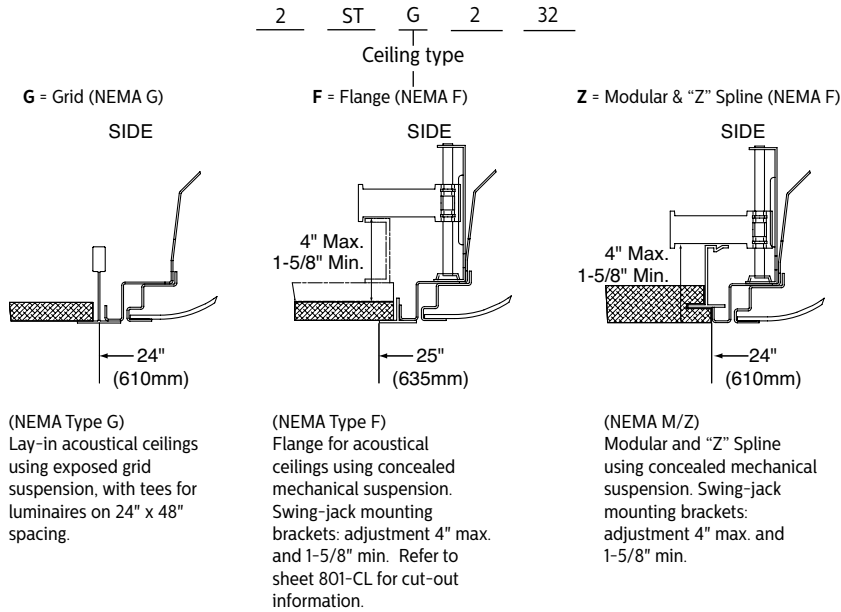
2ST SofTrace recessed 2x4

T5, T5HO, T8, or CFTT5

Dimensions



Ceiling configuration



2ST SofTrace recessed 2x4

T5, T5HO, T8, or CFTT5

Photometry

ST 2x4 2 Lamp T8 Diffuse*

Efficiency – 85.2%

LER – 72

TER – 63

Catalog No. 2STG232-D-1/2-EB Test No. 27034 S/MH 1.2 Lamp Type F32T8 Lumens/Lamp 2850 Ballast Factor .88 Input Watts 59 Comparative yearly lighting energy cost per 1000 lumens – \$3.33 based on 3000 hrs. and 5.08 pwr KWH. The photometric results were obtained in the Day-Brite laboratory which is NVLAP accredited by the National Institute of Standards and Technology. *smooth or ribbed center, smooth or ribbed sides	Candlepower				Light Distribution			
	Angle	End	45	Cross	Degrees	Lumens	% Lamp	% Luminaire
	0	1725	1725	1725	0-30	1331	23.4	27.4
	5	1730	1719	1707	0-40	2175	38.2	44.8
	10	1701	1693	1680	0-60	3856	67.7	79.4
	15	1661	1653	1639	0-90	4854	85.2	100.0
	20	1608	1597	1584				
	25	1533	1525	1515				
	30	1444	1439	1443				
	35	1334	1345	1372				
40	1219	1241	1294					
45	1089	1137	1214					
50	944	1020	1120					
55	814	895	996					
60	642	756	850					
65	492	606	688					
70	359	462	517					
75	236	320	355					
80	135	195	188					
85	56	73	66					

ST 2x4 2 Lamp T5 Diffuse*

Efficiency – 95.1%

LER – 78

TER – 68

Catalog No. 2STG228-D-1/2-EB95 Test No. 27100 S/MH 1.2 Lamp Type F28T5 Lumens/Lamp 2600 Ballast Factor .95 Input Watts 60 Comparative yearly lighting energy cost per 1000 lumens – \$3.08 based on 3000 hrs. and 5.08 pwr KWH. The photometric results were obtained in the Day-Brite laboratory which is NVLAP accredited by the National Institute of Standards and Technology. *smooth or ribbed center, smooth or ribbed sides	Candlepower				Light Distribution			
	Angle	End	45	Cross	Degrees	Lumens	% Lamp	% Luminaire
	0	1759	1759	1759	0-30	1354	26.0	27.4
	5	1757	1749	1745	0-40	2205	42.4	44.6
	10	1732	1723	1718	0-60	3906	75.1	79.0
	15	1690	1682	1675	0-90	4943	95.1	100.0
	20	1636	1626	1608				
	25	1559	1549	1534				
	30	1466	1456	1451				
	35	1358	1354	1374				
40	1232	1249	1306					
45	1093	1139	1237					
50	941	1024	1154					
55	791	903	1046					
60	640	768	903					
65	495	624	739					
70	356	476	565					
75	236	335	390					
80	136	203	203					
85	54	74	65					

ST 2x4 2 Lamp T8 Perf.*

Efficiency – 72.2%

LER – 59

TER – 52

Catalog No. 2STG232-PMW-1/2-EB Test No. 27092 S/MH 1.3 Lamp Type F32T8 Lumens/Lamp 2850 Ballast Factor .88 Input Watts 61 Comparative yearly lighting energy cost per 1000 lumens – \$4.07 based on 3000 hrs. and 5.08 pwr KWH. The photometric results were obtained in the Day-Brite laboratory which is NVLAP accredited by the National Institute of Standards and Technology. *smooth or ribbed sides	Candlepower				Light Distribution			
	Angle	End	45	Cross	Degrees	Lumens	% Lamp	% Luminaire
	0	1394	1394	1394	0-30	1091	19.1	26.5
	5	1395	1390	1383	0-40	1803	31.6	43.8
	10	1373	1372	1369	0-60	3254	57.1	79.1
	15	1339	1343	1349	0-90	4115	72.2	100.0
	20	1293	1306	1322				
	25	1230	1258	1288				
	30	1157	1198	1251				
	35	1075	1132	1213				
40	970	1057	1162					
45	869	979	1105					
50	755	889	1023					
55	632	783	918					
60	506	666	790					
65	385	529	651					
70	279	403	508					
75	184	279	348					
80	103	158	156					
85	40	38	39					

2ST SofTrace recessed 2x4

T5, T5HO, T8, or CFTT5

ST 2x4 2 Lamp T5 Perf.*

Efficiency – 80.6%

LER – 66

TER – 65

		Candlepower				Light Distribution			
		Angle	End	45	Cross	Degrees	Lumens	% Lamp	% Luminaire
Catalog No.	2STG228-PMW-1/2-EB95	0	1403	1403	1403	0-30	1098	21.1	26.2
Test No.	27099	5	1407	1401	1390	0-40	1815	34.9	43.3
S/MH	1.3	10	1382	1380	1377	0-60	3293	63.3	78.6
Lamp Type	F28T5	15	1348	1348	1355	0-90	4189	80.6	100.0
Lumens/Lamp	2600	20	1300	1314	1326				
Ballast Factor	.95	25	1242	1265	1290				
Input Watts	60	30	1169	1205	1252				
		35	1086	1141	1217				
		40	986	1069	1178				
		45	880	990	1127				
		50	760	900	1054				
		55	640	801	953				
Comparative yearly lighting energy cost per 1000 lumens – \$3.64 based on 3000 hrs. and \$.08 pwr KWH.		60	514	683	827				
		65	394	553	688				
The photometric results were obtained in the Day-Brite laboratory which is NVLAP accredited by the National Institute of Standards and Technology.		70	287	418	544				
		75	190	294	361				
		80	106	165	161				
		85	43	40	40				
*smooth or ribbed sides									

Coefficients of Utilization									
EFFECTIVE FLOOR CAVITY REFLECTANCE 20 PER (pfc=0.20)									
pcc	80			70			50		
pw	70	50	30	70	50	30	50	30	
RCR									
0	105	105	105	102	102	102	97	97	
1	96	93	89	93	91	88	86	84	
2	89	81	76	85	80	75	77	72	
3	81	71	66	79	70	65	68	63	
4	75	65	56	72	63	56	60	55	
5	68	57	50	67	56	50	55	48	
6	64	52	45	61	52	44	50	44	
7	58	47	40	57	46	40	46	39	
8	55	44	35	54	42	35	41	35	
9	52	40	33	50	40	33	39	32	
10	47	36	29	46	36	29	35	29	



Some luminaires use fluorescent or high intensity discharge (HID) lamps that contain small amounts of mercury. Such lamps are labeled, "Contain Mercury" and/or the symbol "HG". Lamps that contain mercury must be disposed of in accordance with local requirements. Information regarding lamp recycling and disposal can be found at www.lamprecycle.org

