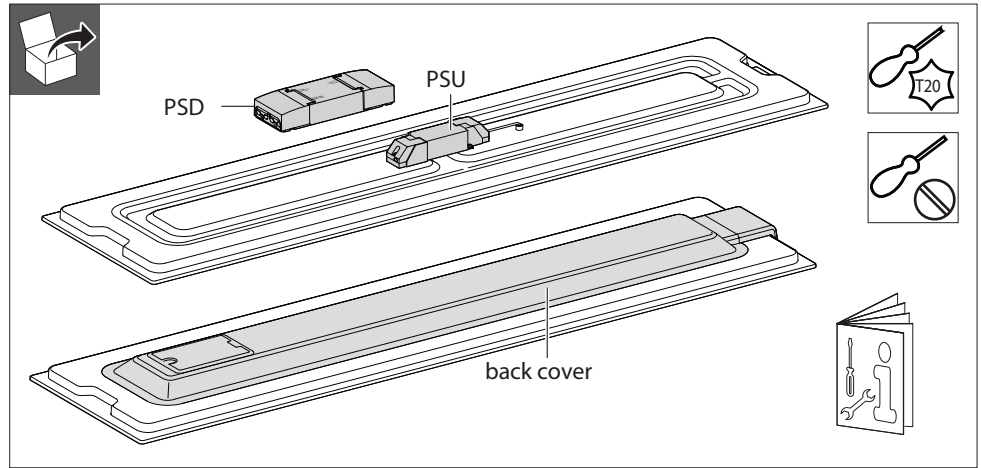


# PHILIPS

## SlimBlend

RC400B, RC402B, SM400C  
SM402C, SP400P, SP402P



220V  
240V

50Hz  
60Hz

LEDs

Ta  
25°C

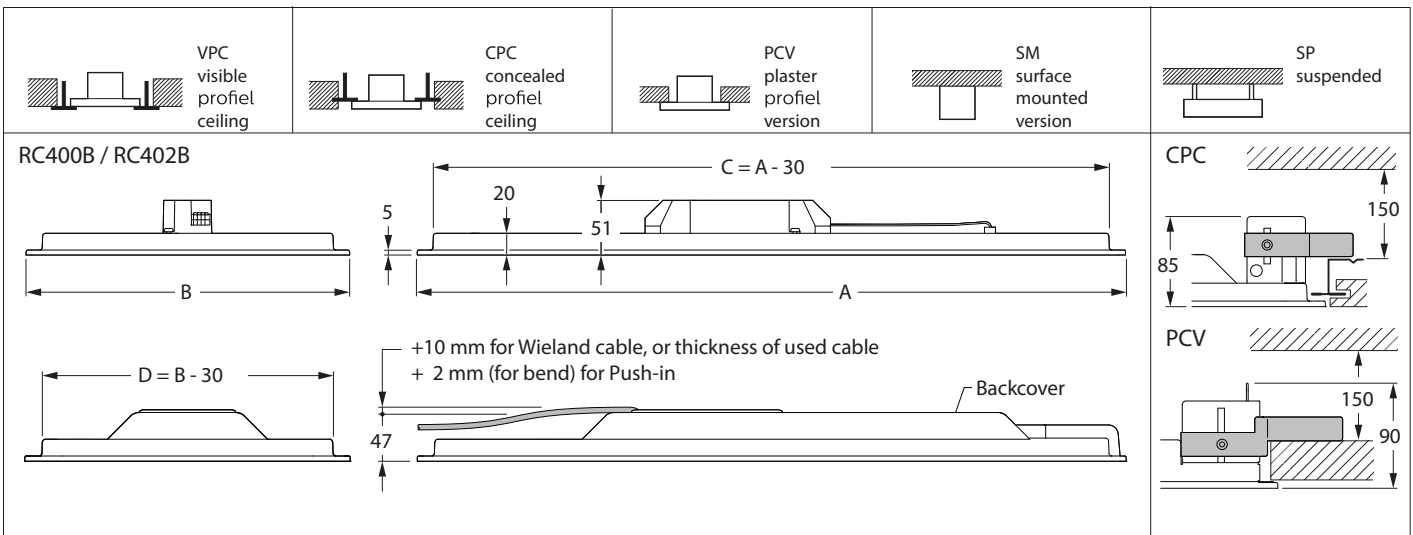
IK02

Max.  
40°C  
Min.  
10°C

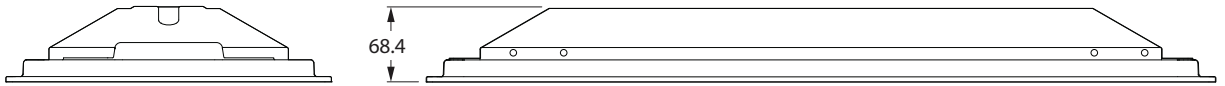
GLOW  
WIRE  
650°C



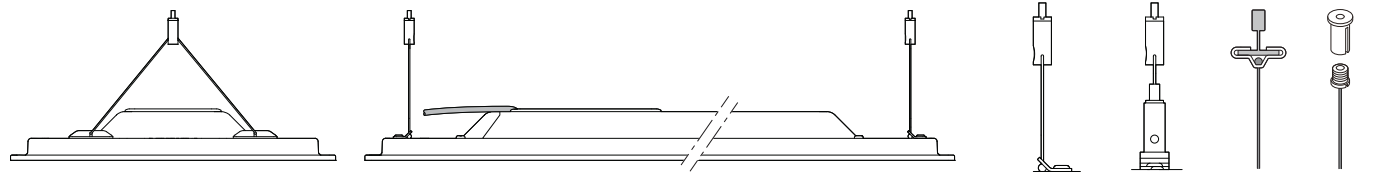
Module		Dimensions in mm				kg	
Model	Length	Series	A	B	IP		
RC400B	600	VPC	W60L60	597	597	IP40	5,6
			W30L120	1197	297	IP40	5,7
RC402B	625	VPC	W62L62	622	622	IP40	6
			W31L125	1247	312	IP40	6,1
RC400B	600	CPC PCV	W60L60	600	600	IP40	5,6
			W30L120	1200	300	IP40	5,7
RC402B	625	CPC PCV	W62L62	625	625	IP40	6
			W31L125	1250	312,5	IP40	6,1
SM400C	600	SM	W60L60	600	600	IP20	6,6
			W30L120	1200	300	IP20	6,7
SM402C	625	SM	W62L62	625	625	IP20	7
			W31L125	1250	312,5	IP20	7,1
SP400P	600	SP	W60L60	600	600	IP20	7,3
			W30L120	1200	300	IP20	7,4
SP402P	625	SP	W62L62	625	625	IP20	7,7
			W31L125	1250	312,5	IP20	7,8



SM400C /  
SM402C

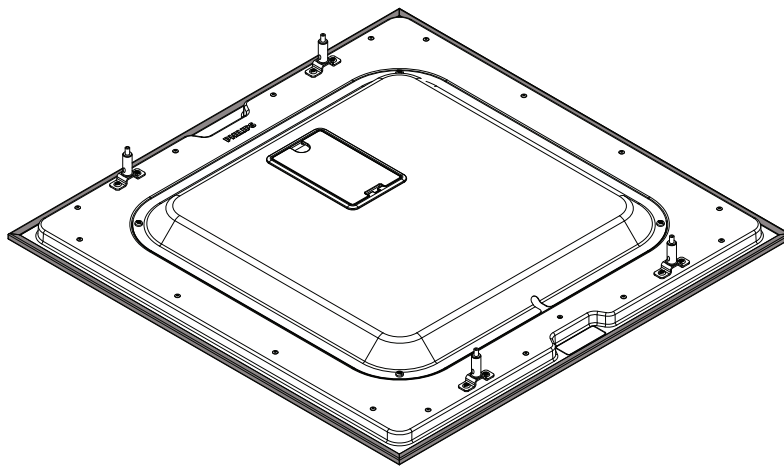


SP400P / SP402P



SP400P / SP402P / SM400C / SM402C / PCV / CPC


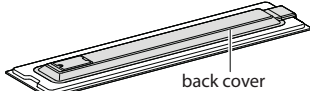


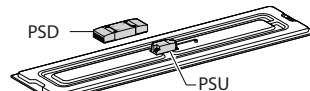

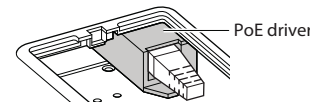
Suspended, Surface mounted, PCV and CPC versions are delivered with plastic profiles.  
Plastic profiles cannot be removed from the edges of the luminaire throughout the entire work life!




Do not press the surface of MLO plate to avoid disturbances in optical window perception.




Luminaires should be removed from plastic bags immediately before installation

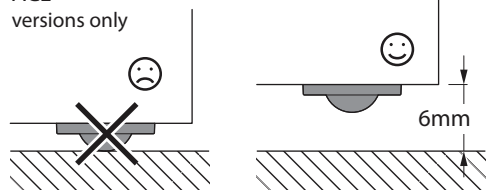
	<p>All versions with PSU (on/off) /PSD (dimmable) drivers under back cover</p>	 <p>back cover</p>	<p>Instructions for SpaceWise versions</p> 
	<p>All versions with PSU (on/off) /PSD (dimmable) drivers standalone</p>	 <p>PSD PSU</p>	
	<p>All versions with POE (Power Over Ethernet) drivers</p>	 <p>PoE driver</p>	



**ATTENTION**  
OBSERVE PRECAUTIONS  
FOR HANDLING  
ELECTROSTATIC  
SENSITIVE  
DEVICES

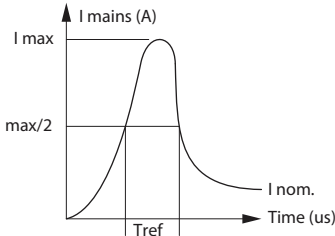


ACL  
versions only




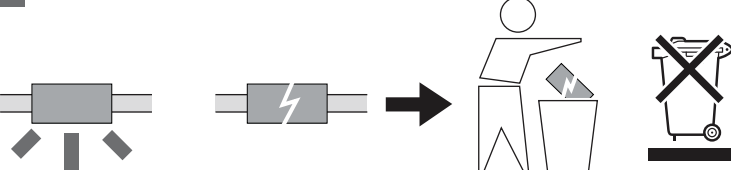
6mm

Inrush current



	LED28S/ 36S/42S	LED50S
Electrical characteristics		
I <sub>max</sub> (A)	26	49
T <sub>ref</sub> (μs)	750	154
EL I <sub>max</sub>	0.7	0.7
MCB Luminaire max.		
B- 16 A	24	17
C- 16 A	40	26
EL CB 30mA	30	30

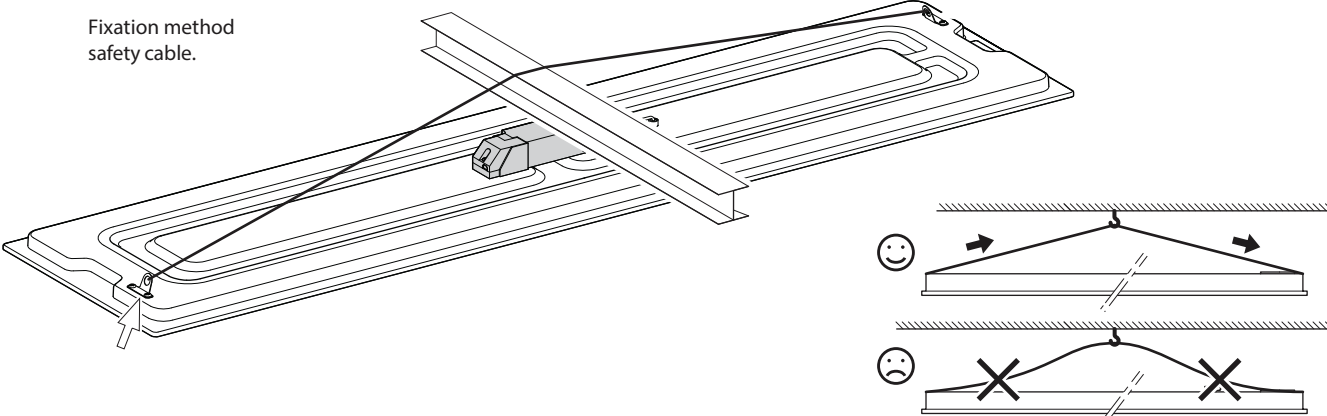





The light source of this luminaire is not replaceable; when the light source reaches its end of life the whole luminaire shall be replaced.

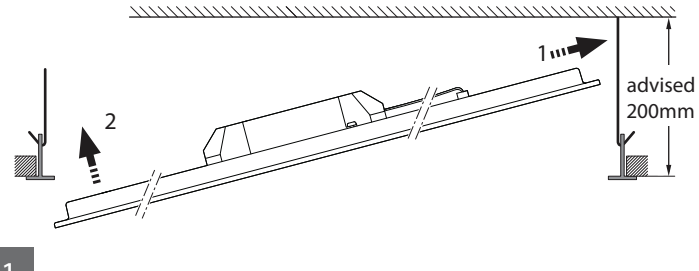
Option: Safety cable (SC)

Fixation method  
safety cable.



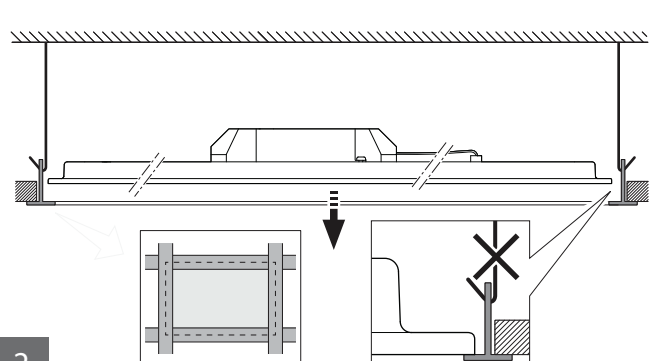


VPC (lay-in)



1

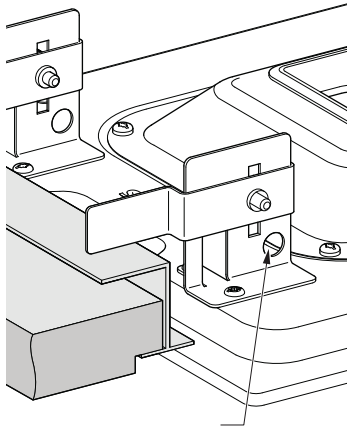
advised 200mm



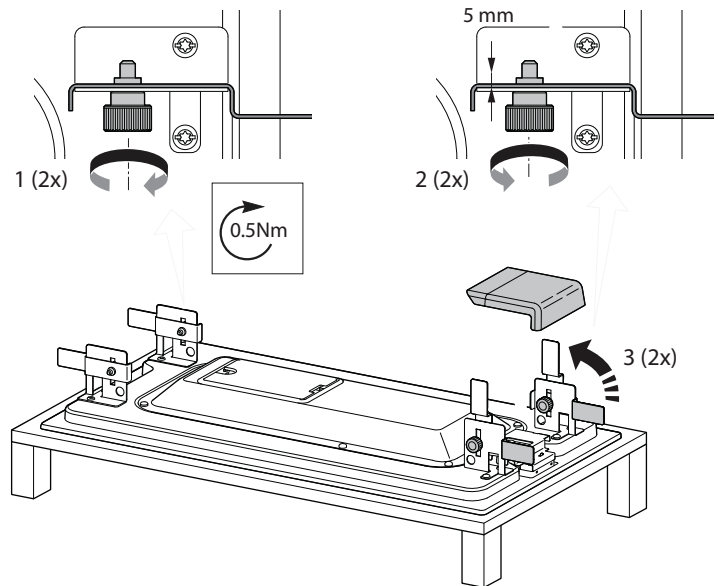
2



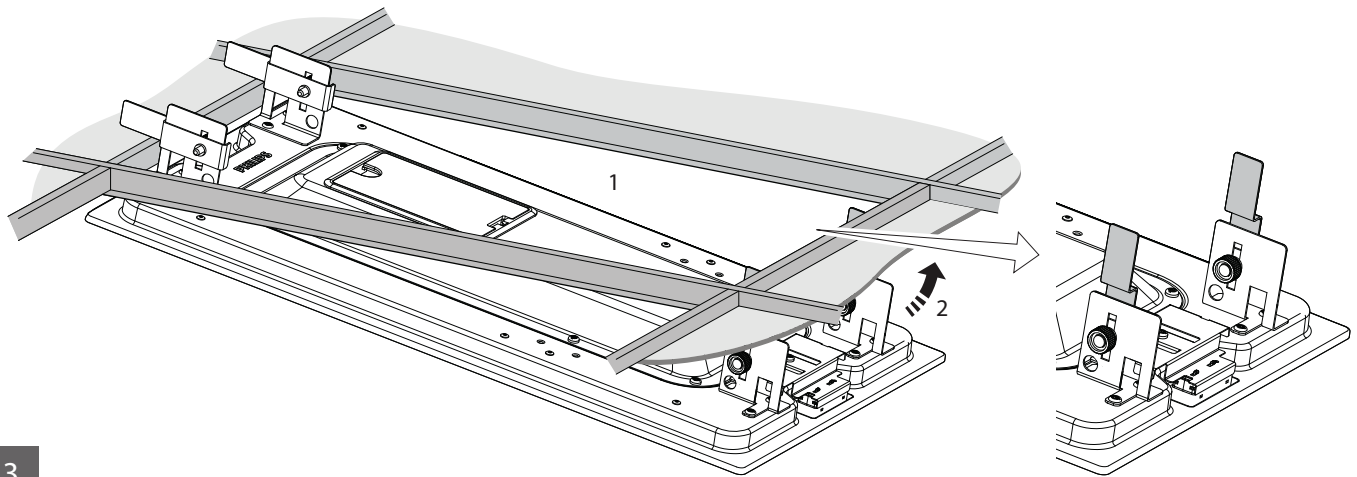
# CPC (Concealed profile ceiling)



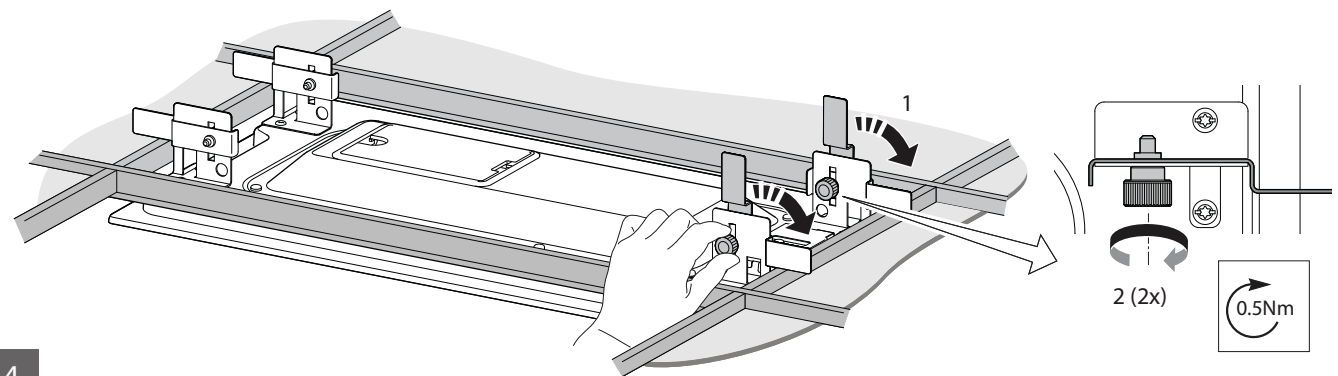
1 Safety cable



2

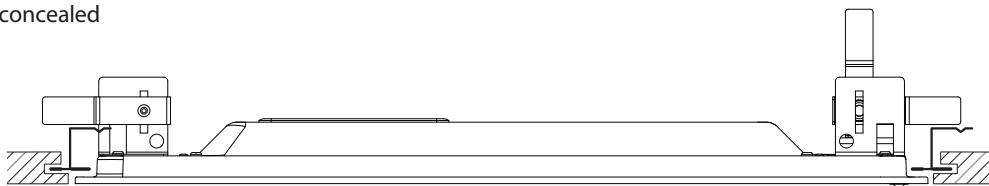


3



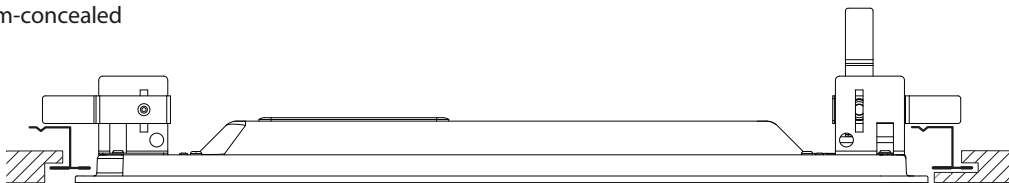
4

## sym-concealed



- Rect. ✓ 😊
- Square ✓ 😊

## A-sym-concealed

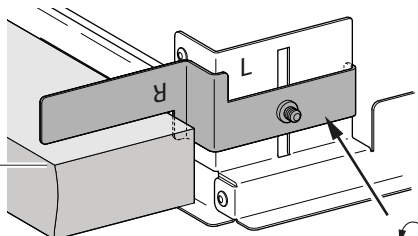


- Rect. ✗ 😞
- Square ✗ 😞



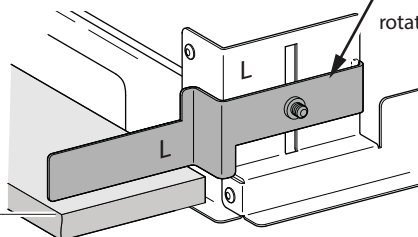
PCV (Plaster ceiling version)

Min. 30  
Max. 60

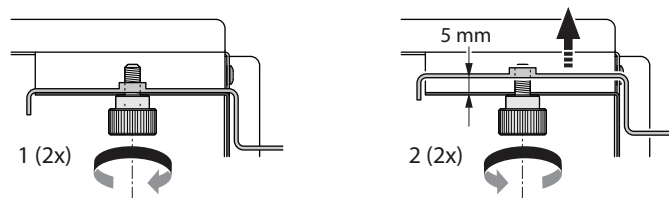


rotatable

Min. 3.5  
Max. 34



1

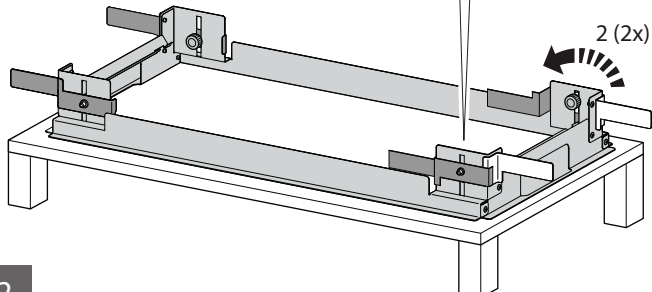


1 (2x)

2 (2x)

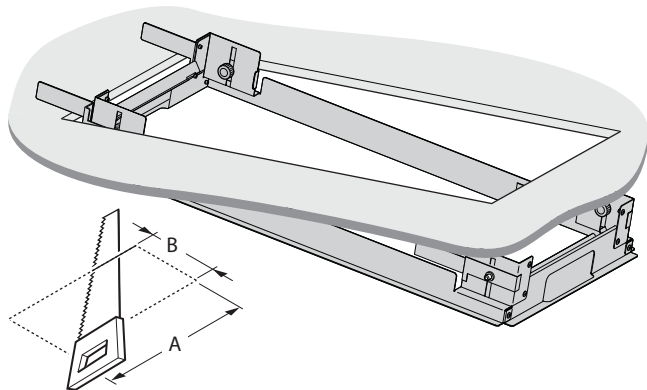
5 mm

0.5Nm



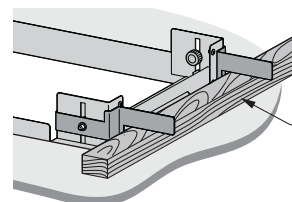
2 (2x)

2

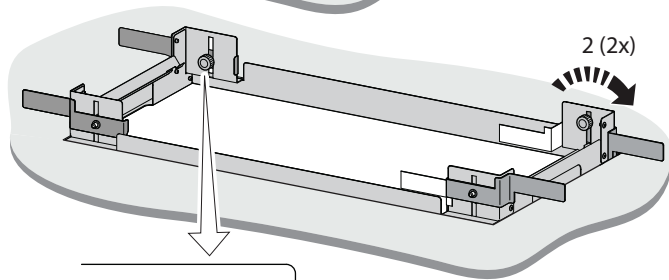


Module		A(mm)	B(mm)
RC400B 600	W60L60	578	578
	W30L120	1178	278
RC402B 625	W62L62	603	603
	W31L125	1228	291

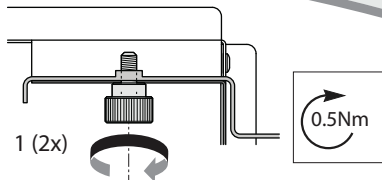
3



Solid wood



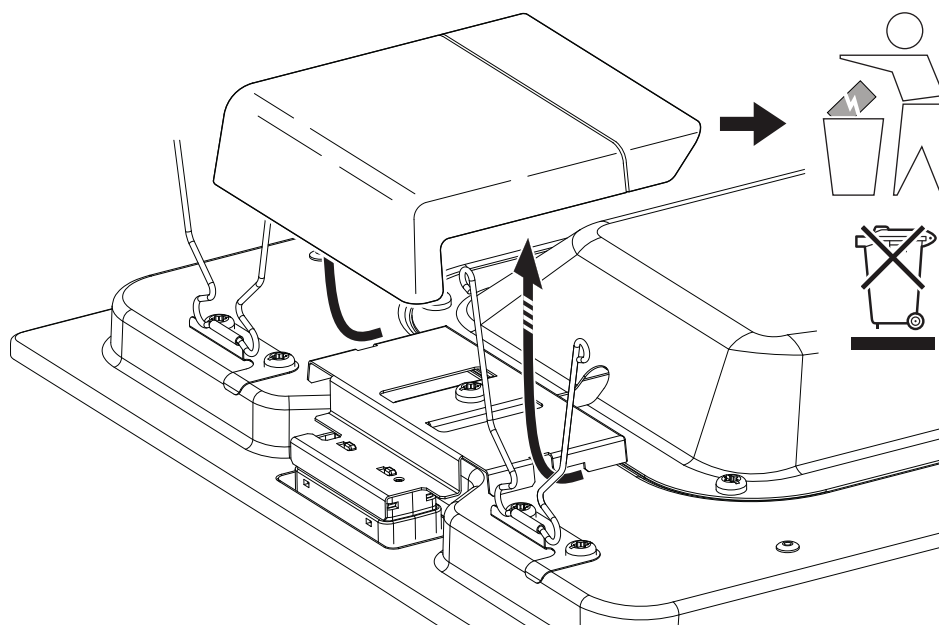
2 (2x)



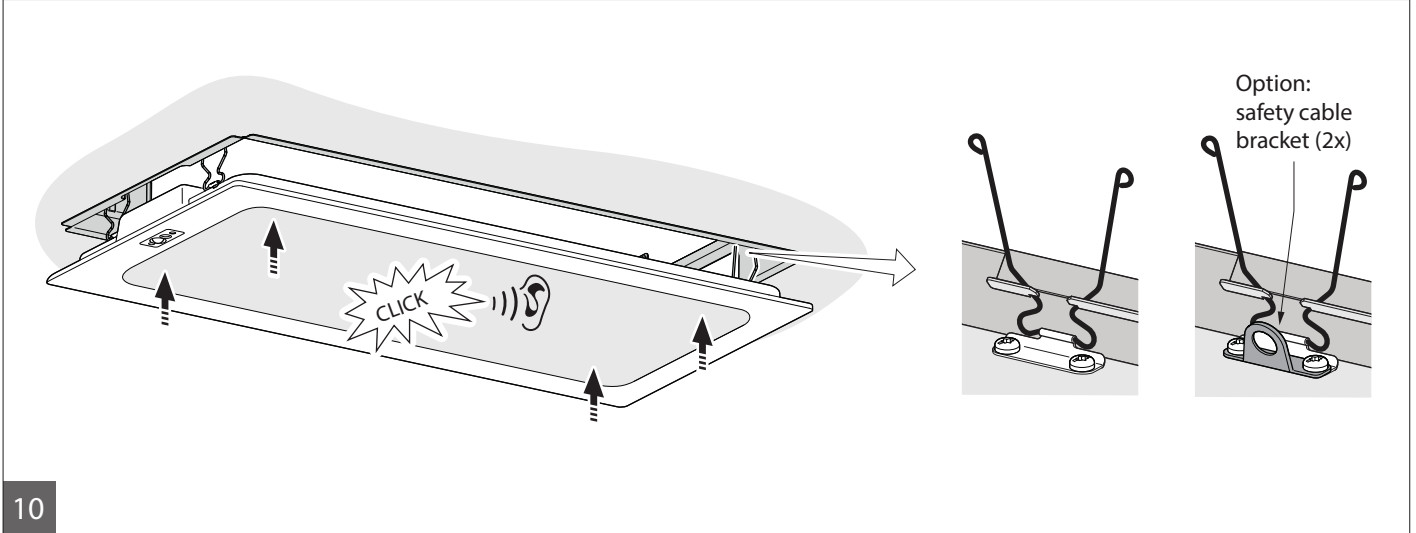
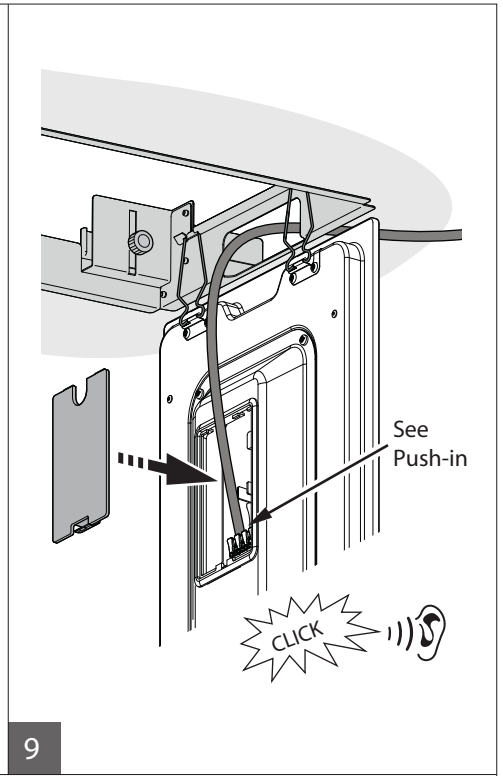
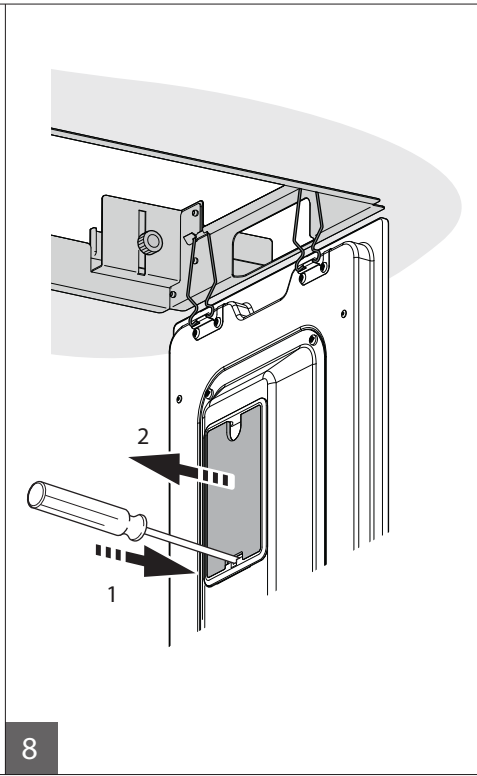
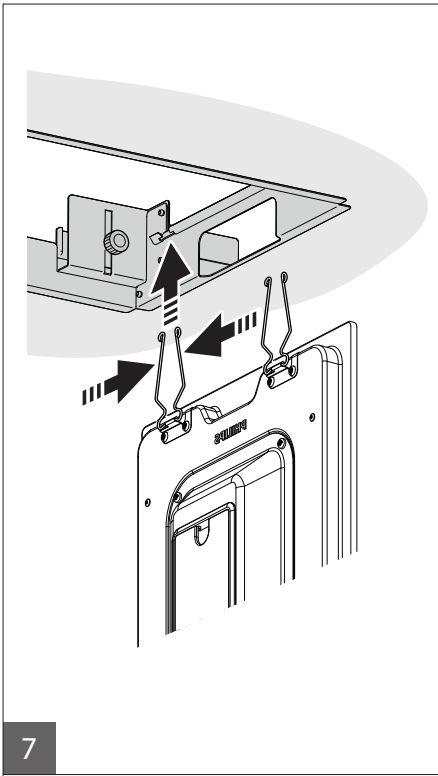
1 (2x)

0.5Nm

4

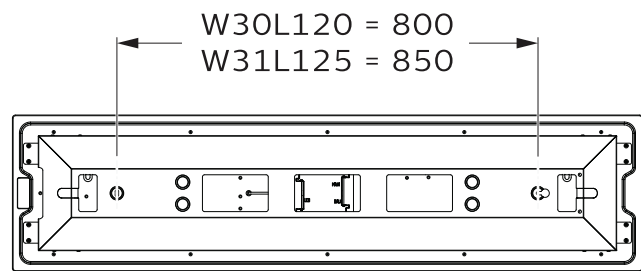
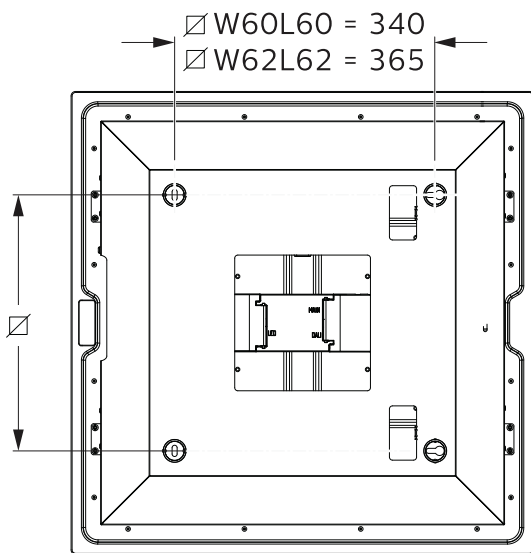
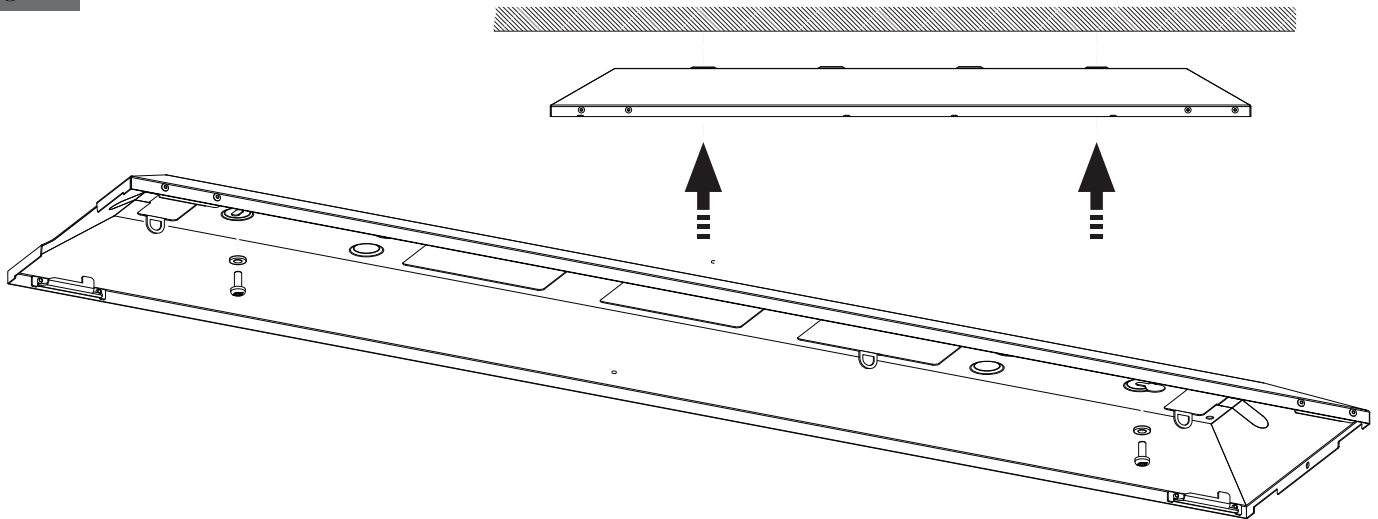


5

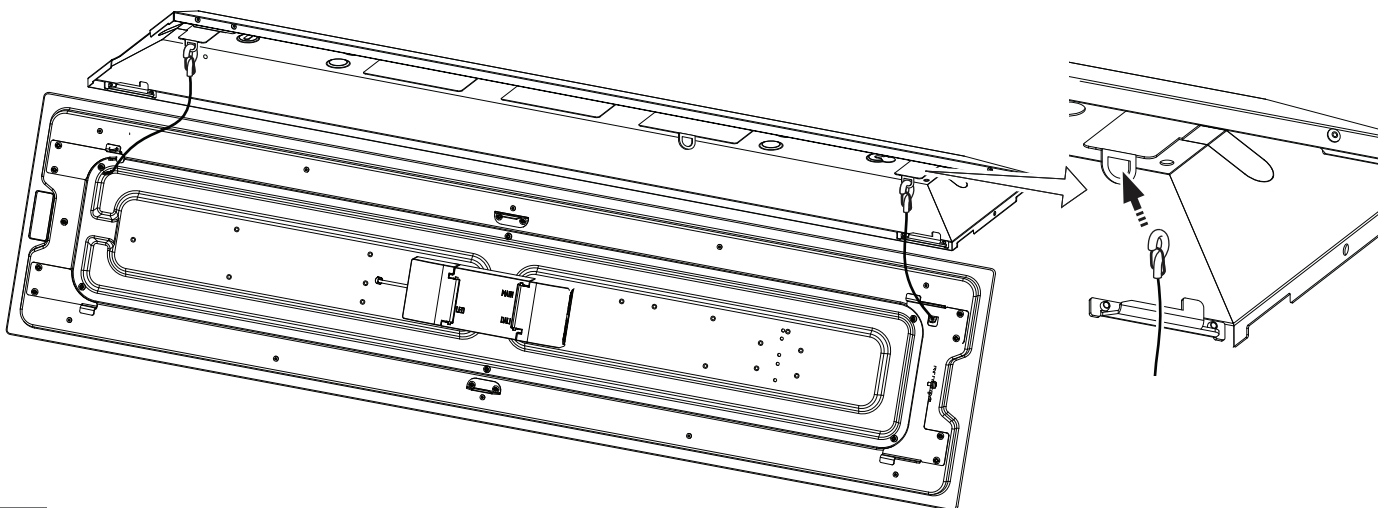




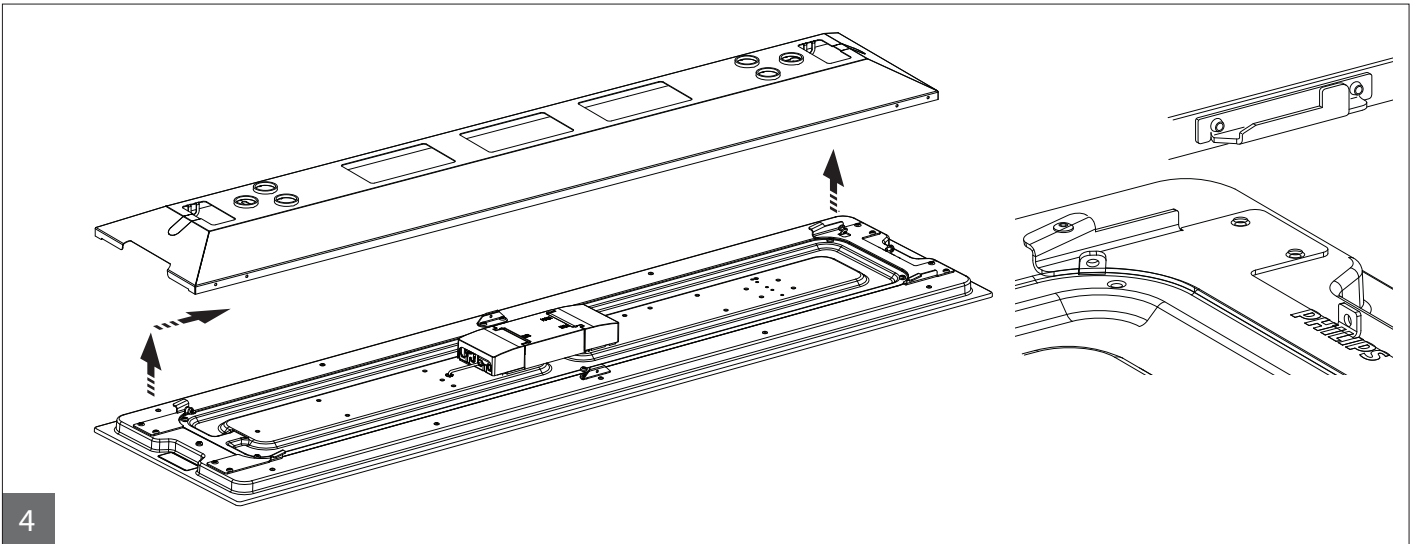
SM (Surface mounted)



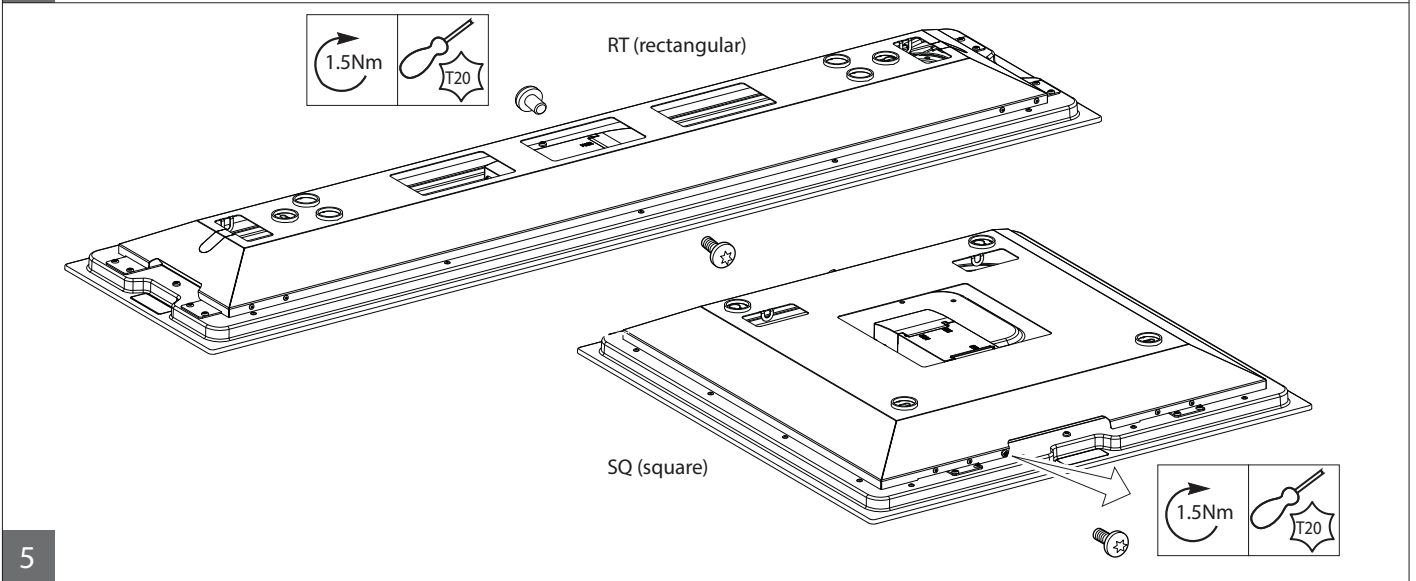
1



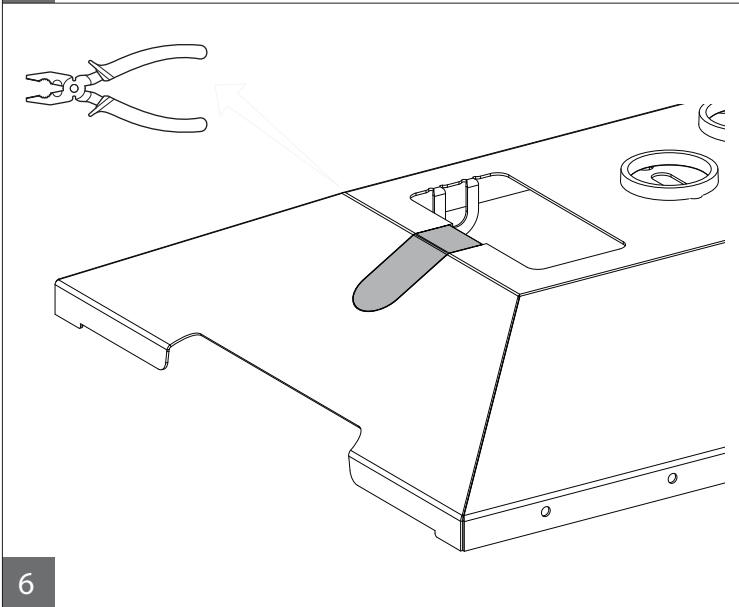
2



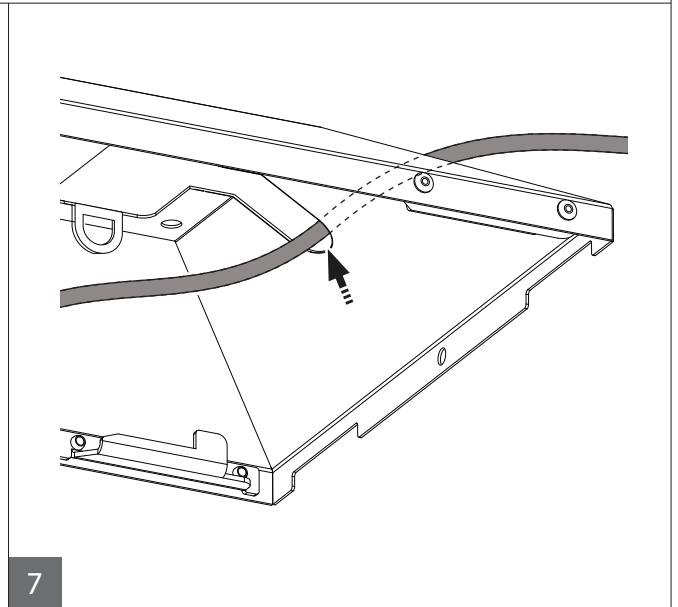
4



5

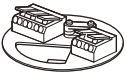



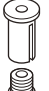

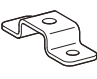
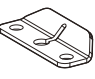


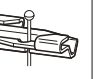


6

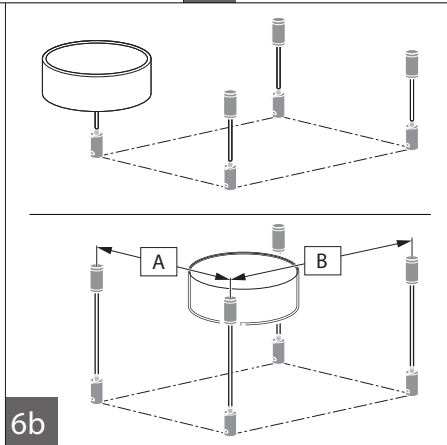
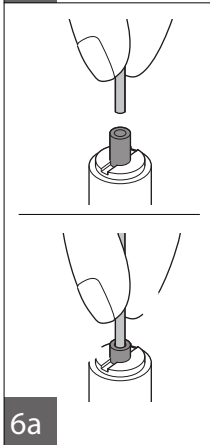
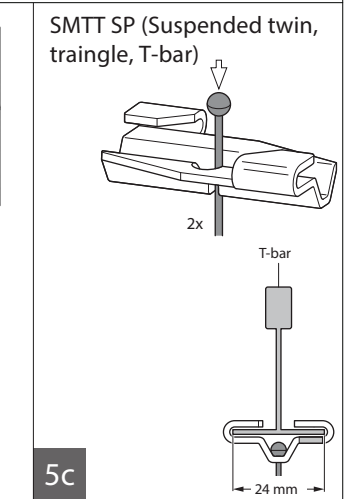
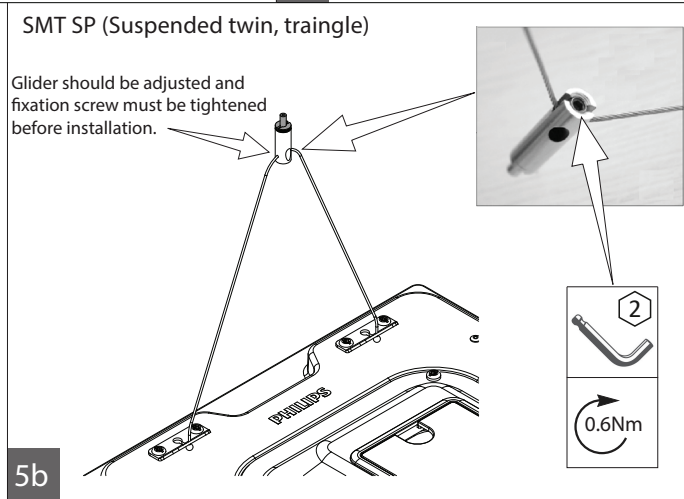
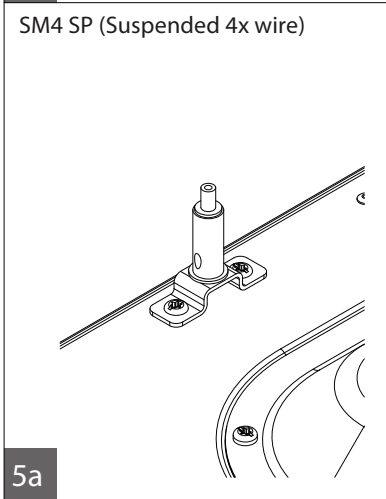
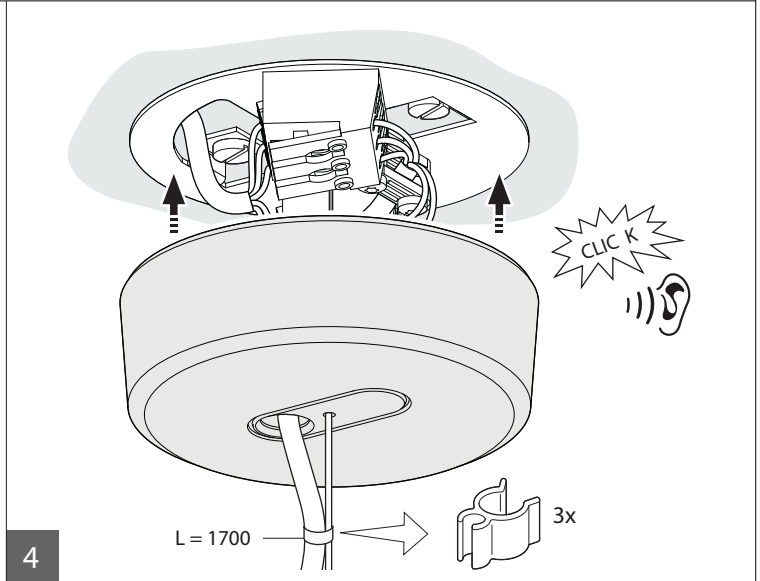
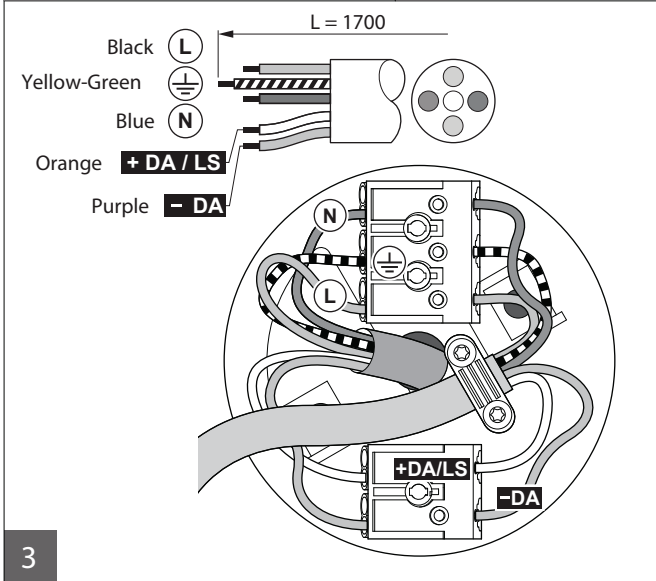
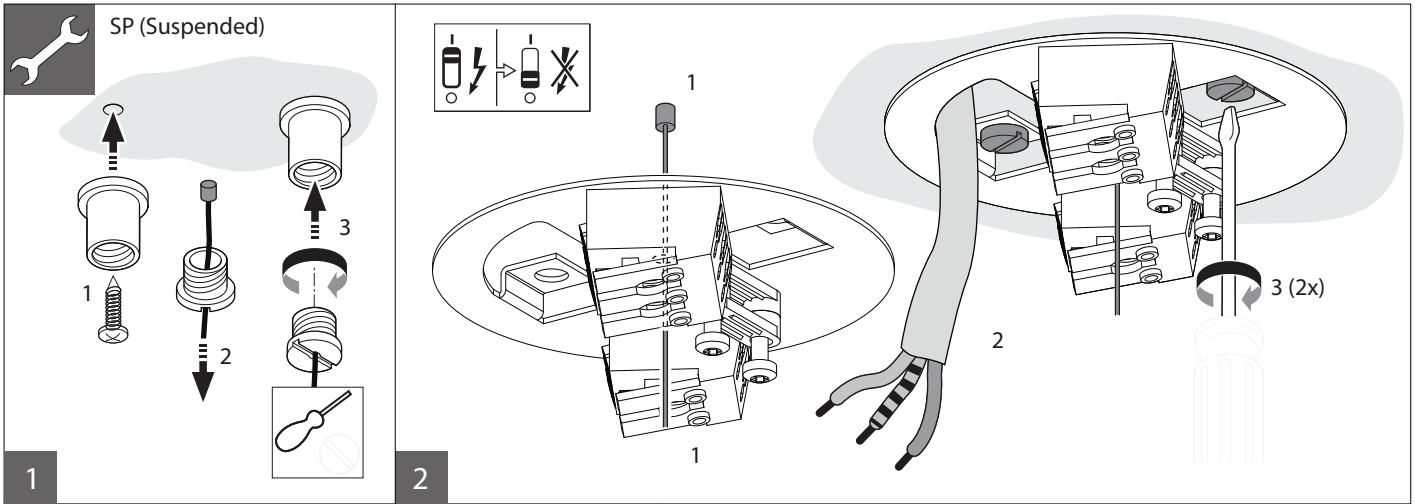


7

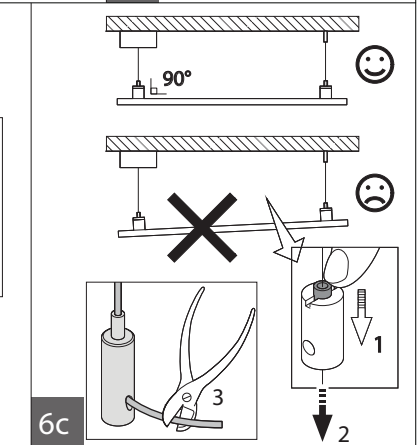
Suspension Kits.

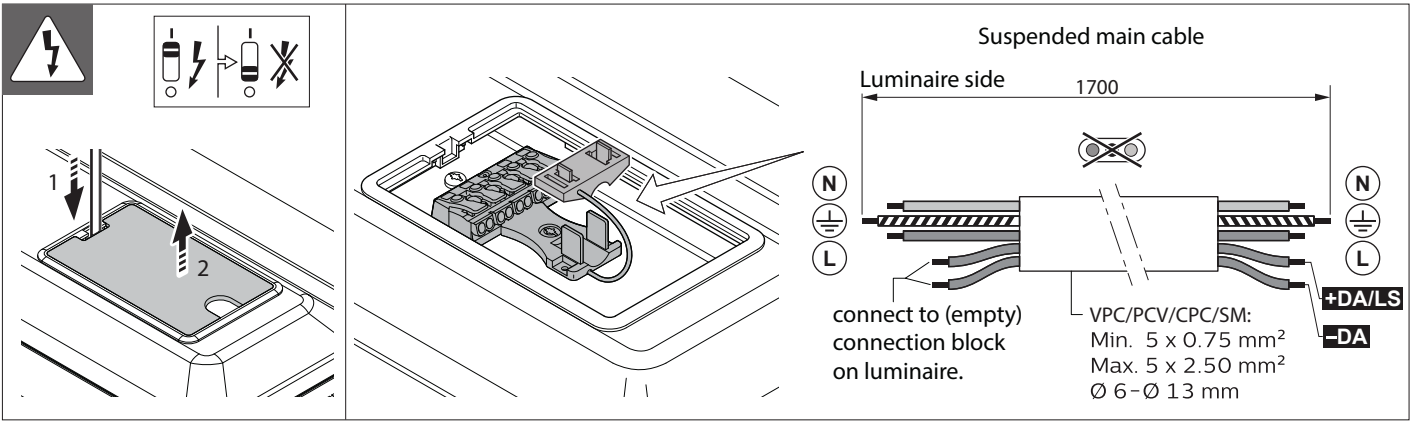
Suspension set contents											
SM4 Square	•	•	•	•	4x	2x	4x			4x	
SMT Rectan -	•	•	•	•	2x	•		4x	2x		
SMTT gular			•	•		•		4x	2x		2x



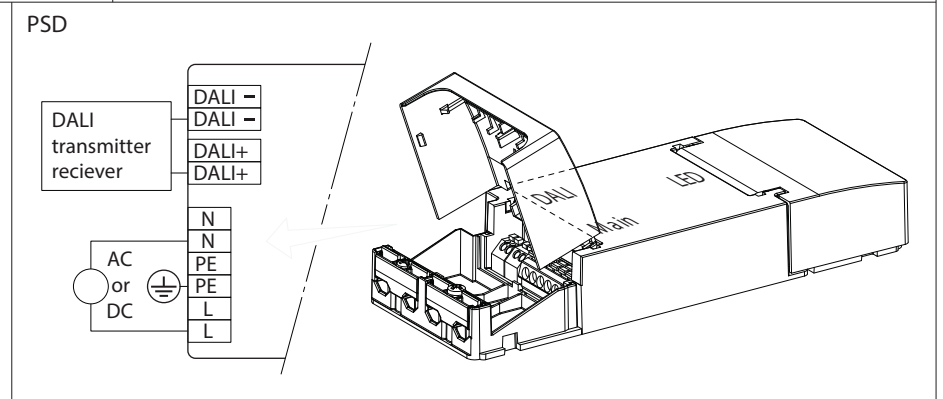
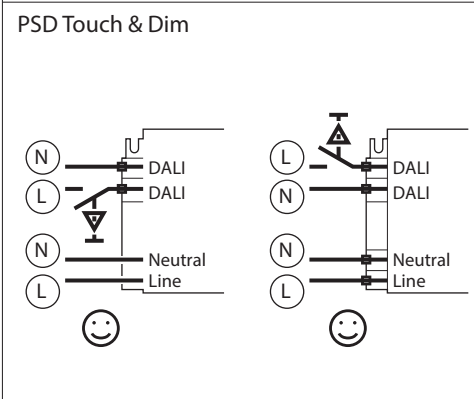
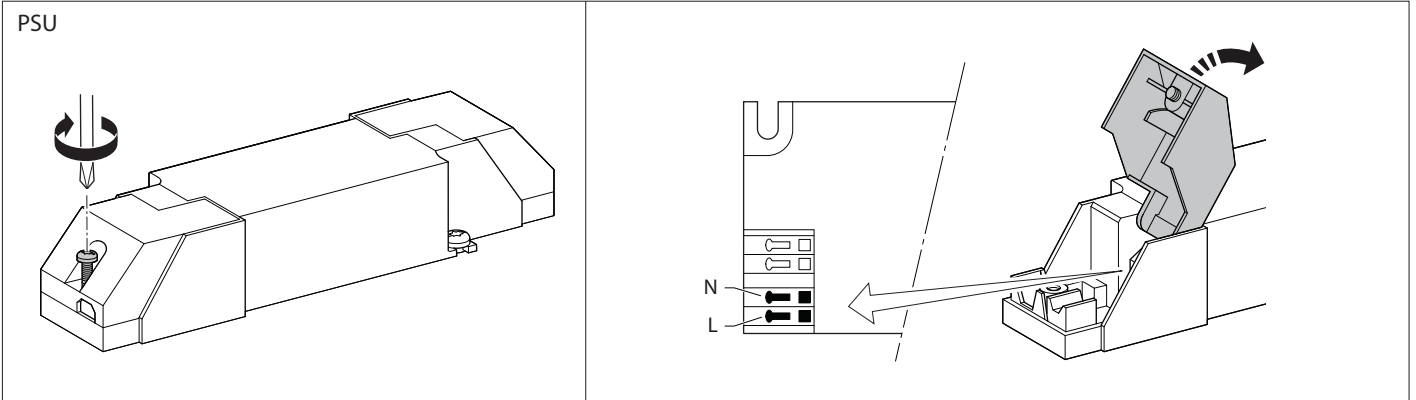


	A(mm)	B(mm)
W60L60	300	535
W60L60	300	560
W30L120	-	1115
W31L125	-	1165

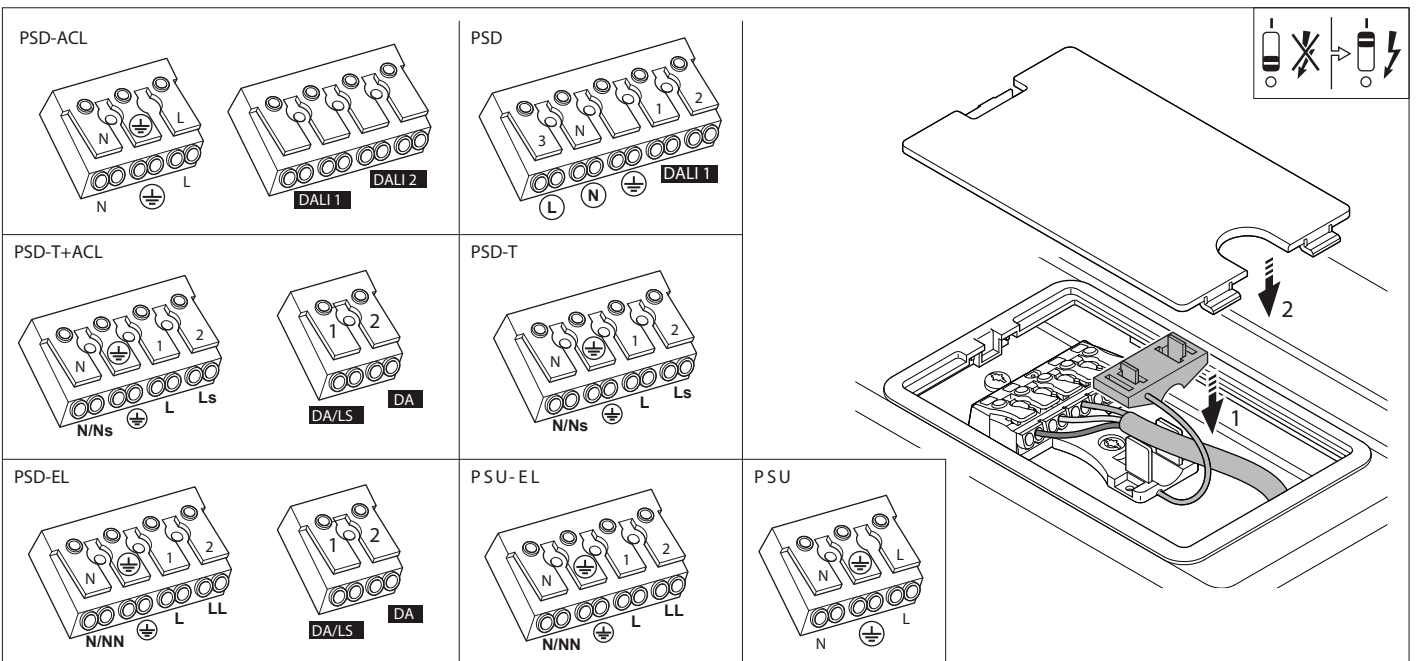


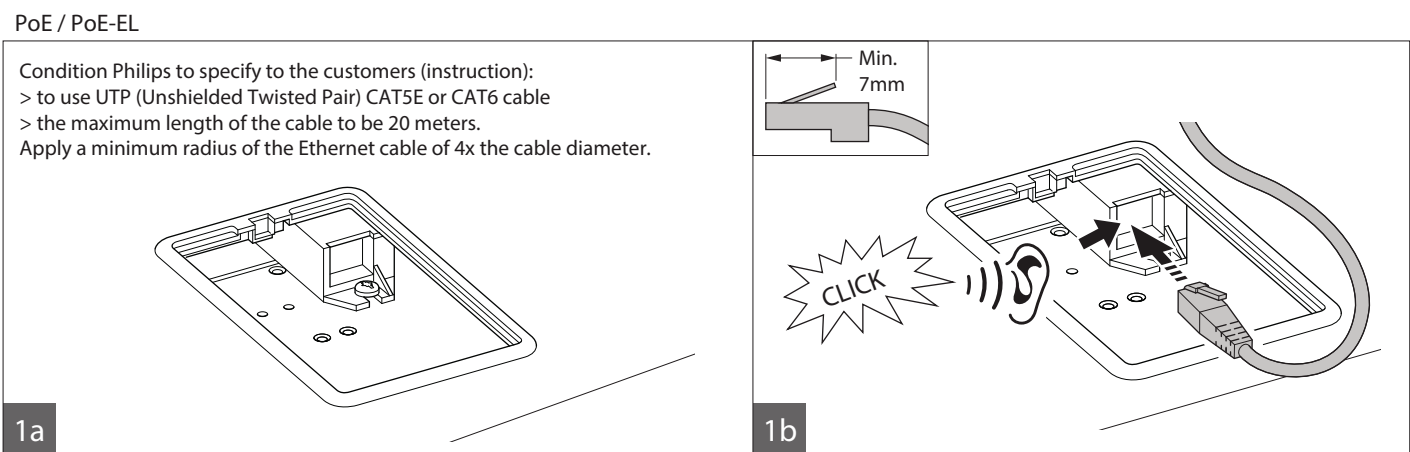
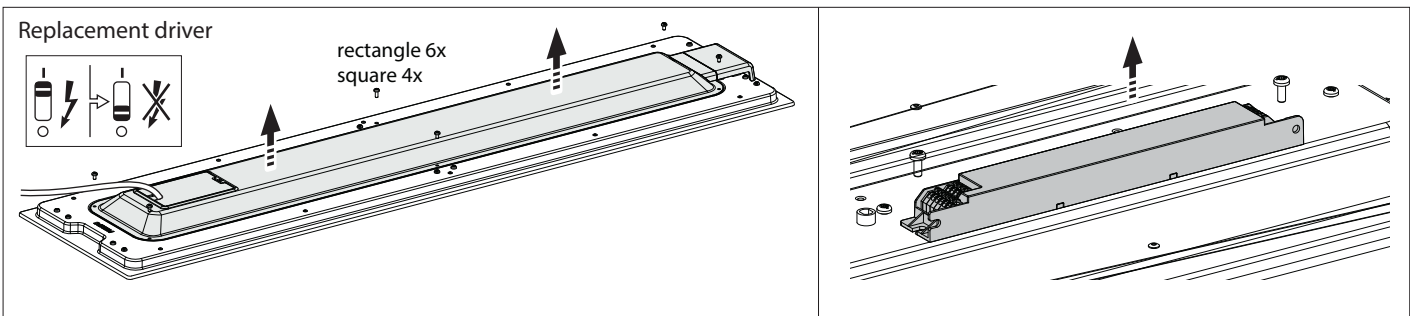
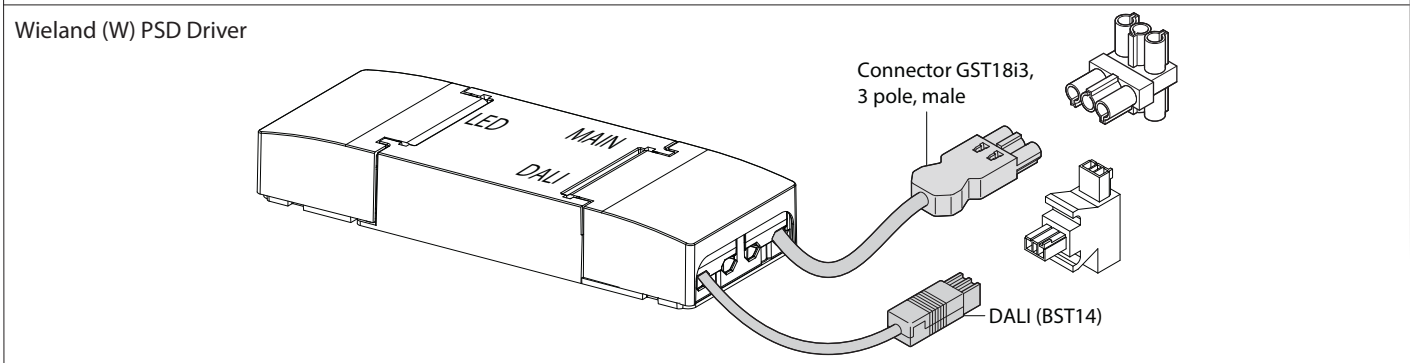
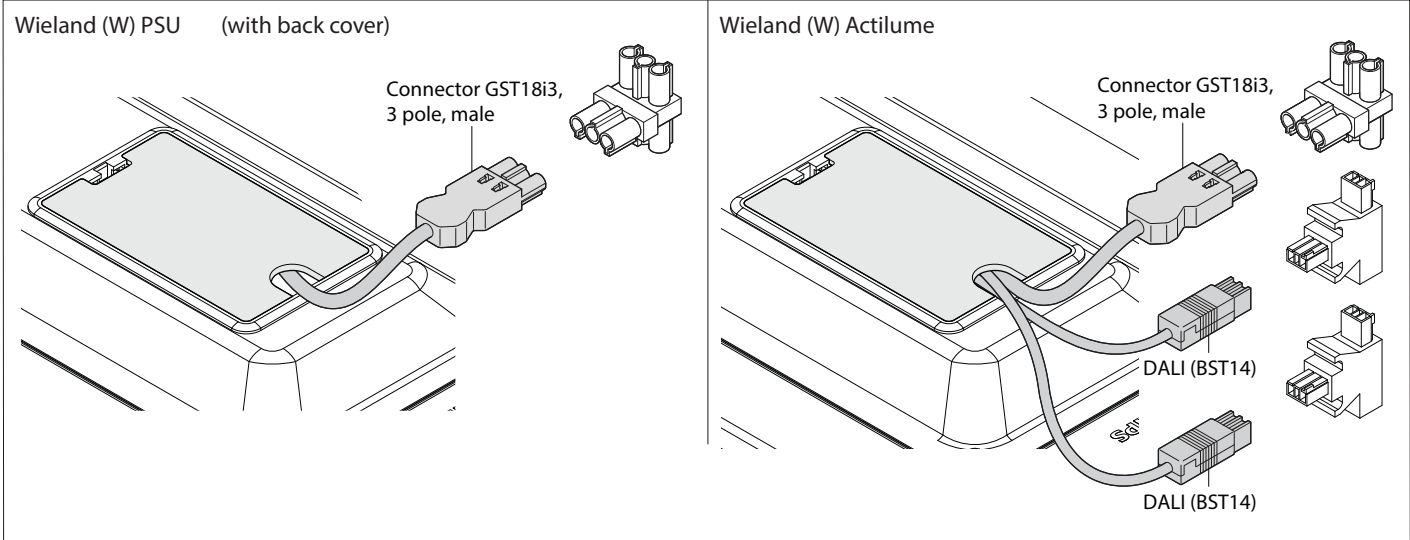


Independent / standalone drivers



Push-in (PIP)





**!** The luminaire shall be installed by a qualified electrician and wired in accordance with the latest IEE electrical regulations or the national requirements.

To avoid risk of affected luminaire performance, make sure to unpack and install product when all construction works are finished.

Please do not remove the protect film before installing to avoid scraping or dirtying the optical part.

Indoor use only.

During installation or maintaining the luminaire please use gloves to avoid spots on the cover.

To remove dirt and spots use the following: - Dust: use micro fiber cloths only  
- Fingerprints, etc.: use a cleaner for synthetic materials with antistatic properties.

**ATTENTION**  
OBSERVE PRECAUTIONS  
FOR HANDLING  
**ELECTROSTATIC**  
SENSITIVE  
DEVICES



© 2019 Signify Holding

All rights reserved. This document contains information relating to the product portfolio of Signify which information may be subject to change. No representation or warranty as to the accuracy or completeness of the information included herein is given and any liability for any action in reliance thereon is disclaimed. The information presented in this document is not intended as any commercial offer and does not form part of any quotation or contract. Philips and the Philips Shield Emblem are registered trademarks of Koninklijke Philips N.V.. All other trademarks are owned by Signify Holding or their respective owners.

Signify Holding.  
The Netherlands