

**PHILIPS  
LIGHTOLIER**

Downlighting

Calculite LED  
generation 3



Experience the change,  
**See the difference**

Specification-grade downlighting family

# Calculite LED generation 3



Downlights are a versatile tool used to enhance spaces and create visual appeal. As an ambient light source, recessed downlights create a comfortable, soothing illumination throughout the space without distraction. At the same time, downlights can boldly or subtly accentuate architectural or design elements to create rich dimensions and visual interest. No matter how downlights are incorporated into your lighting design, trust market-leading Philips Lightolier Calculite LED generation 3 downlights to maximize the impact of your lighting design.

**Calculite LED generation 3  
specification-grade downlighting**  
delivers exceptional visual comfort  
and optical control, extraordinary  
mechanical precision, installation  
efficiency and future proofing.



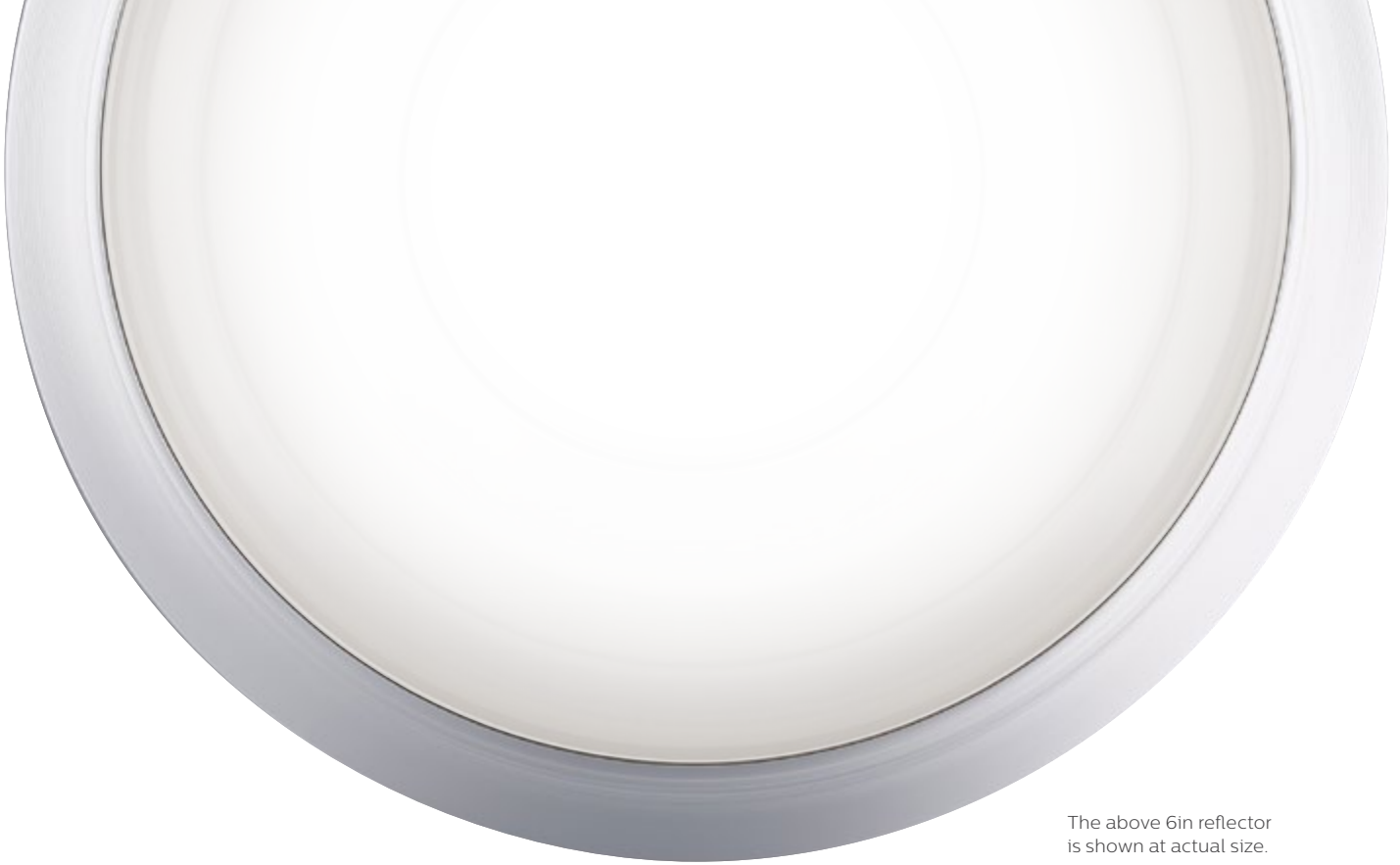
Our forward innovation continues with  
**Philips Lightolier Calculite LED generation 3**  
round and square aperture downlights.

The above 6in reflector  
is shown at actual size.





Calculite LED generation 3  
Round 6in aperture wide beam downlights and 4in aperture wide beam open wall wash



The above 6in reflector is shown at actual size.

# Maximize visual appeal

When it comes to showcasing your craftsmanship, quality is more important than quantity. We feel the same way. That's why our Calculite LED downlights focus on three beam spreads (narrow, medium, wide) with the right distribution and light output. This creates more uniform light with fewer downlights and smaller apertures, without worrying about glare or distractions. The meticulous design of Calculite LED also eliminates the need to compensate for lamp depreciation by delivering more light, and as a result, maintaining the light quality of the space over time.



There's nothing  
to inhibit your  
creative vision,  
so you can consistently  
deliver an elegant impact.



The above 6in reflector is shown at actual size.

# Maximize user comfort

Calculite LED downlights provide beautiful subtlety along with robust performance. A patent-pending component design eliminates the distracting imperfections found in lesser quality downlights, such as hotspots and dark rings. The Calculite family of luminaires offer comfortable, soothing light, achieving uncompromising illumination with a true 50° physical and 45° reflected cutoff. Calculite's soft beam transitions provide flawless consistency in a space, allowing higher lumen options in smaller apertures, with no increase in perceived brightness.



# Different degrees of cutoff angles



## Quiet zone

No visible elements:  
lens, clips, rivets, rings  
or other hardware

## Transition zone

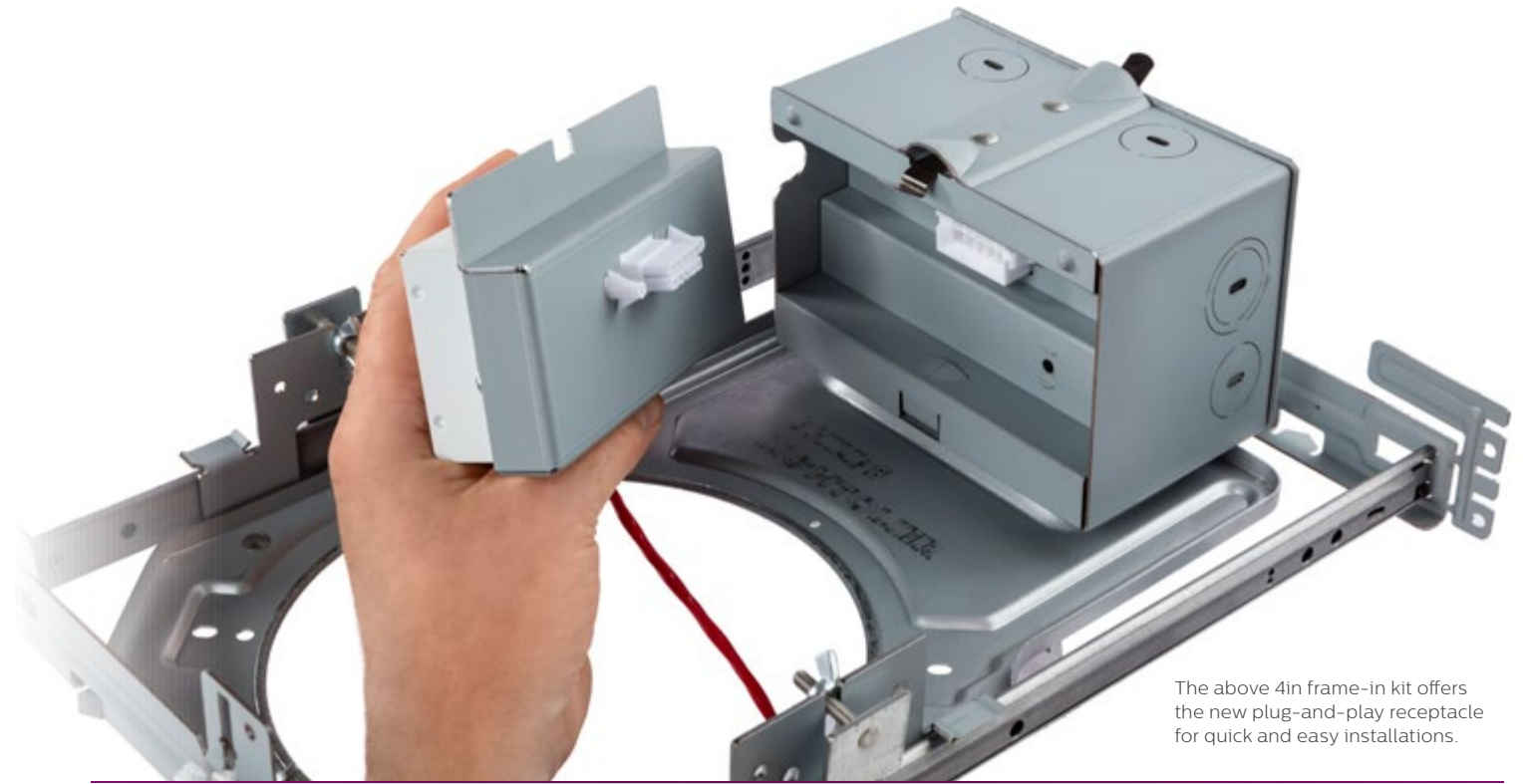
50° Direct View Cut Off

## Bright zone

45° Reflected View Cut Off

Philips Lightolier measures true downlight cutoff angles at the downlight's widest bright point to ensure maximum luminaire efficacy and comfort for those in the space. Cutoff angles are not always what they seem, which can affect your overall design and comfort. Sub-standard manufacturers measure to the light source, which reduces performance levels and creates uncomfortable glare.

The new 3000lm 4" downlight provides an appearance that is no brighter than Calculite's previous 1500lm generation.



The above 4in frame-in kit offers the new plug-and-play receptacle for quick and easy installations.

# Maximize installation efficiency

Philips Lightolier extends downlight excellence through a simplified installation process, with no requirements for specialized tools. The Calculite LED unique three-part system of frame, driver/light engine, and reflector (multiple patents pending) saves time and hassle from start to finish and adds up to a highly personalized solution to showcase your unique lighting vision.

# Lighting vision

With a fully upgradable architecture, Calculite LED modular downlights may be conveniently serviced and upgraded at any time without having to access the ceiling.



1. Reflector installs into ceiling with no difficulty using long leaf springs.
2. Built-in adjustable mounting feature allows installation into thick ceilings with no additional accessories.
3. Can handle a ceiling thickness of up to 2" for 4in apertures and 2-3/4" for 6in & 7in apertures.

## Quick, easy, tool-free install\*



Quick and tool-less installation into T-Grid.



Quick and tool-less installation into hat channel.



Easy plug and play connection from driver to J-box.



Built-in adjustable mounting springs.



Unitized optic system of Light engine and reflector.



Reflector installs into ceiling.

\* Please read warnings, cautions and installation instructions provided with the product before attempting installation.





Calculite LED generation 3  
Round 4in aperture medium beam downlights and 6in aperture wide beam cylinders

# Reflectors and Light Engines

Calculite LED generation 3



A silicone lens assists in diffusing both larger LED arrays and chip-on-board (COB) configurations.



Calculite LED fixtures feature both LED arrays for medium and wide beam spreads as well as single COB technology for narrow beam distributions.

## Superior performance

Calculite's 2-step or 2 SDCM rating provides uniformity of color quality and light levels, from fixture to fixture, with no visible shifts. These are criteria one must consider for maintenance consistency that affects the look & feel of the space over the lifetime of the installation.

With Calculite LED generation 3, specifying uniform light & color consistency is achieved by leveraging Philips technology advancements. For medium and wide beam distributions a large array of mid-flux chips is used to provide long lifetime lumen maintenance and a comfortable beam for general light while for narrow beams, a chip-on-board (COB) provides a tighter more defined beam for high ceiling applications. The combination of technologies allows designers to create the right layers of light to properly enhance a space per the design intent.

Recognized as  
**the market-leading**  
downlight  
**solution**

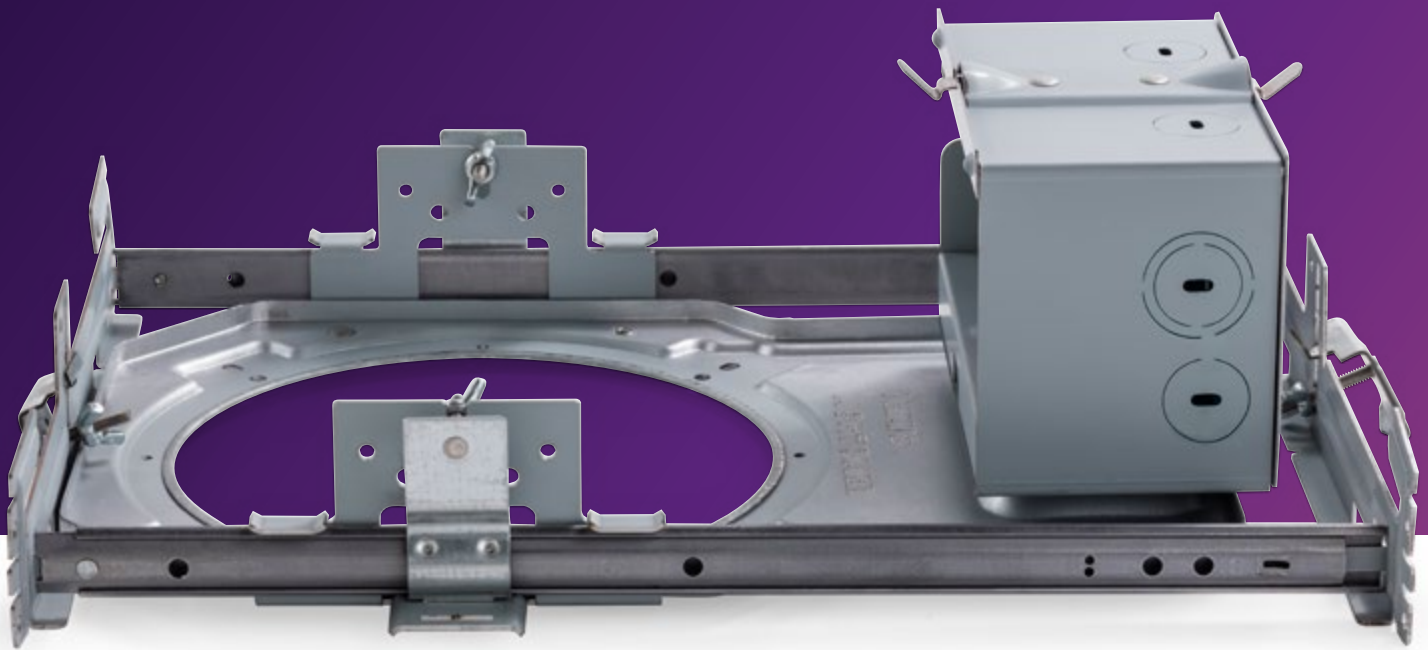
Calculite LED generation 3  
**achieves life ratings of up to**

**L90** (90% lumen maintenance)  
**60,000 hours**

and efficacies  
**as high as 115 lm/w**

# Frames

Calculite LED generation 3



## Versatile frames

Calculite LED downlight frames are designed with quick connect technology enabling two future proof values. First, your lighting system is ensured to last the life of the building through easy replacement of the electronic components at end of life while minimizing waste of materials and cost of labor. Secondly, your building is provided with a connection point enabling easy integration of any new lighting technologies and systems.



**Round aperture frames**

The 4" 6" and 7" apertures are available with Calculite's anodized finishes featuring white and polished flanges. Each aperture is available with narrow, medium and wide flood distributions and open single, double, corner or lensed wall washers.



**Square aperture frames**

The 4" and 6" square apertures are made with Alanod® formed panels providing the required distribution for smooth, even illumination and comfortable appearance in the ceiling. They are available in finishes to match our most popular anodized round reflectors, and offer narrow, medium, wide flood and lensed wall wash distributions.



**IC frames**

Now available for insulated ceiling applications in 4" and 6" round and square apertures with all the same installation features as the Non-IC version. The insulated ceiling frame is compatible with all driver options up to 2000lm in the 4" aperture and 3500lm in the 6" aperture.

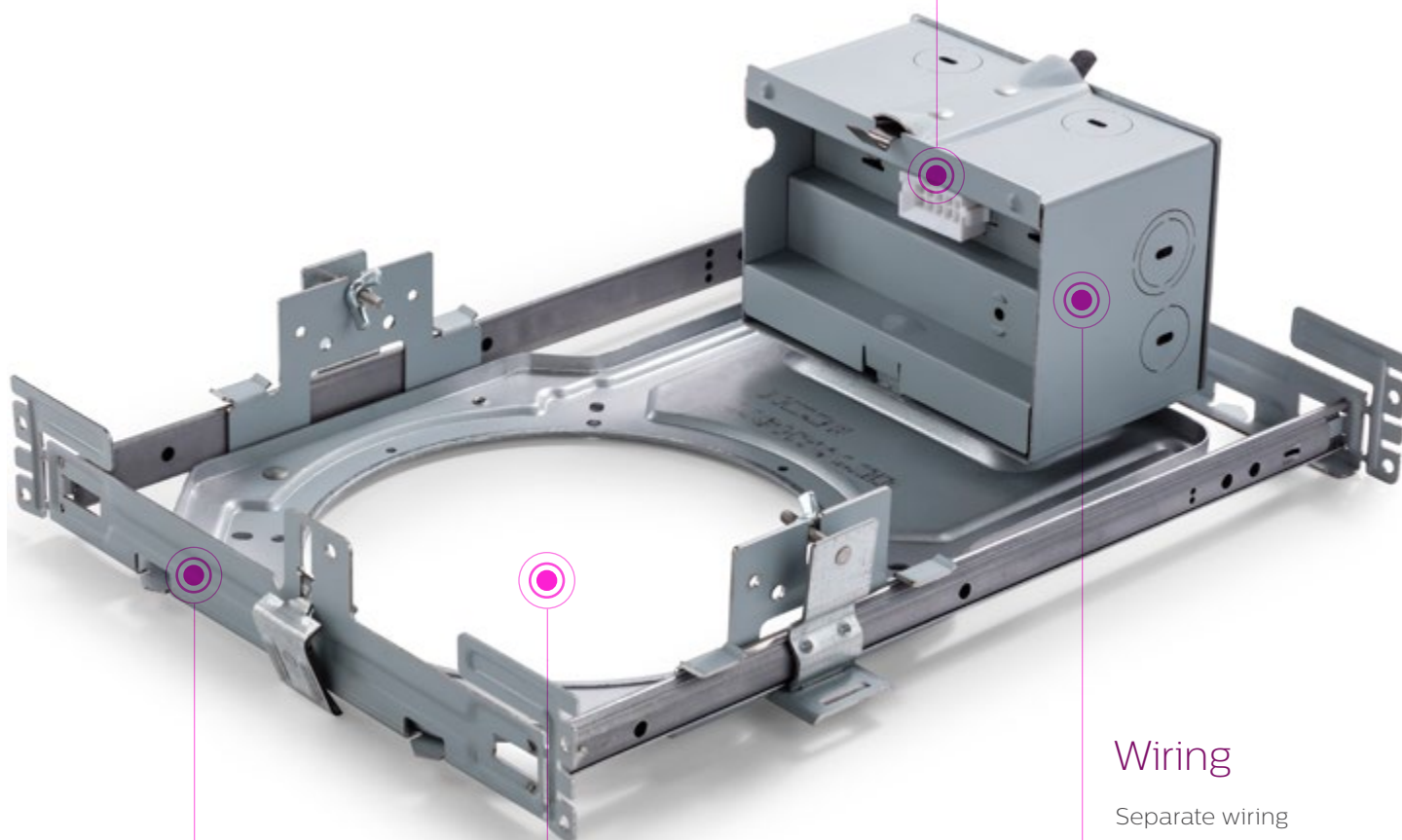


## Quick-install frames

The universal frame is free from drivers and thermal protectors allowing it to accommodate any lumen package, driver type, input voltage, CCT and distribution. This provides installation ease and flexibility in forecasting as project needs evolve or unexpected changes arise.

### Connector

Easy install blind mate connector ensures a secure connection to the driver. The plug-and-play receptacle accommodates technology upgrade light engines and replacements for the life of the building.



### Installation

Tool-less installation into hat channel ceilings in less than 60 seconds.

### Aperture

Close-cut aperture design eliminates an undesired gap between ceiling material and reflector.

### Wiring

Separate wiring compartment for wiring frame to building allows inspection prior to light engine installation.



# Dimming and Controls solutions

Calculite LED generation 3




Factory configured 'Electrical Connection' enables easy controls integration and maintenance.

## Modular design

From a simple standalone dimming down to 1% to a full network solution, users have a wide array of options, with technologies and capabilities by Calculite LED generation 3. The choice today may not be the desired choice for the future therefore the modular design allows easy control system upgradability.

### Controls solutions from basic to advance connected networks:

- Standard 0-10V delivers smooth dimming down to 1%.
- ELV dimmable with no additional wiring.
- Dali for dimming and addressability systems.
- Tunable white (2700K to 6500K) impacts the appeal of the space by changing color temperatures.
- PoE and SpaceWise networking systems for low cost integration of energy efficiency and data management.



**Comfortable**

0-10V delivers smooth dimming down to 1%.




**Compatible**

ELV dimmable with no additional wiring.



**Configurable**

Dali for dimming and addressability systems.



**Commendable**

Powered with tunable white technology, Power over Ethernet (PoE), and SpaceWise controls.\*

\* Consult with factory on availability.

# 4" luminaires

Calculite LED generation 3



Round 4in aperture  
Downlight trim  
Narrow beam



Round 4in aperture  
Downlight trim  
Medium beam



Round 4in aperture  
Downlight trim  
Wide beam



Round 4in aperture  
Open wall wash trim



Round 4in aperture  
Double wall wash trim



Round 4in aperture  
Corner wall wash trim



Round 4in aperture  
Lensed wall wash trim



Square 4in aperture  
Downlight trim  
Narrow/Medium beam

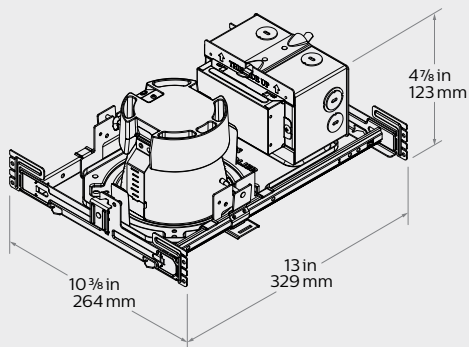


Square 4in aperture  
Downlight trim  
Wide beam

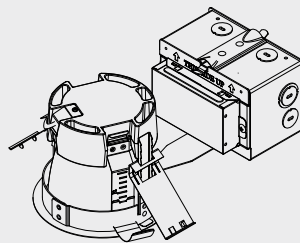


Square 4in aperture  
Lensed wall wash trim

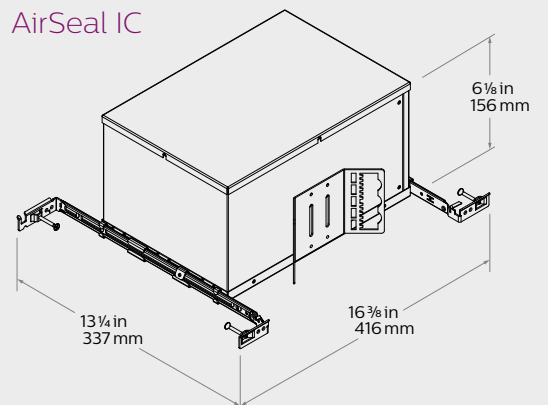
## New Construction



## Remodeler



## AirSeal IC



# Ordering guide




A + B + C + D (optional) + E (optional) = complete unit.

Refer to footnotes at the bottom of the page for configuration details and restrictions.

## A

### Frame






ex: C4RN

Series	Apertures	Installations	Voltages & Options
<b>C4</b>			
<b>C4</b> Calculite LED 4 inch aperture	<b>R</b> Round <b>S</b> Square	<b>N</b> New construction <sup>2</sup> <b>R</b> Remodeler	— Universal (120/277V) <b>3</b> 347V <sup>1</sup> <b>EM</b> Emergency <sup>2</sup> <b>LC</b> Chicago Plenum <sup>2</sup>
		<b>A</b> AirSeal IC <sup>3</sup>	— Universal (120/277V)

## B

### Engine







ex: C4L15835NZ10U

Series	Lumens	CRIs	CCTs	Beams	Dimmings	Options
<b>C4L</b>						<b>U</b>
<b>C4L</b> Calculite LED 4 inch aperture	<b>05</b> 500lm <sup>4</sup> <b>10</b> 1000lm <b>15</b> 1500lm	<b>20</b> 2000lm <sup>5</sup> <b>25</b> 2500lm <sup>5</sup> <b>30</b> 3000lm <sup>5</sup>	<b>8</b> 80CRI <b>9</b> 90CRI <sup>6</sup> <b>27</b> 2700K <sup>6</sup> <b>30</b> 3000K <sup>6</sup> <b>35</b> 3500K <b>40</b> 4000K	<b>N</b> Narrow <b>M</b> Medium <b>W</b> Wide <sup>7</sup>	<b>Z10</b> 0-10V 1% <b>L</b> Lutron <sup>4</sup> <b>D</b> Dali <sup>4</sup>	<b>U</b> Universal (120/277/347V)

## C

### Trim


ex: C4RDLCCP

Series	Apertures	Styles	Beams	Reflectors	Flanges	Options
<b>C4</b>						
<b>C4</b> Calculite LED 4 inch aperture	<b>R</b> Round <b>S</b> Square	<b>DL</b> Downlight	— Any Engine beam (selected above)	<b>CL</b> Specular clear <b>CC</b> Comfort clear <b>CD</b> Comfort clear diffuse <b>CZ</b> Champagne bronze <b>BK</b> Black (matte)	— White (matte) <b>P</b> Polished <b>F</b> Flangeless <sup>9</sup>	— Standard (none) <b>EM</b> Emergency (for downlight styles only)
	<b>R</b> Round <b>S</b> Square <sup>8</sup>	<b>DL</b> Downlight	<b>NM</b> Narrow/Medium <b>W</b> Wide	<b>WH</b> White (matte)	— White (matte) <b>F</b> Flangeless <sup>9</sup>	
		<b>WW</b> Open wall wash <sup>7</sup> <b>CW</b> Corner wall wash <sup>7,9</sup> <b>DW</b> Double wall wash <sup>7,9</sup> <b>LW</b> Lensed wall wash <sup>7,8</sup>	— Wide Engine beam is optimal for all wall wash styles <sup>7</sup>			

## D

### Vetro

ex: D4A04



Series	Sizes	Styles
<b>D</b>	<b>4A</b>	
<b>D</b> Decorative elements	<b>4A</b> 4 inch aperture	<b>01</b> Round acrylic with aluminum insert <b>02</b> Round acrylic <b>03</b> Round angled double opal glass <b>04</b> Round opal glass <b>13</b> Round angled double opal glass within clear glass <b>14</b> Round opal glass within clear glass



## E

### Accessories (Compatible with all open and lensed reflectors)

ex: CA4RFT

Series	Options	Styles/Finishes
<b>C</b>		
<b>C</b> Calculite LED accessory	<b>A4R</b> 4 inch aperture, Round <b>A4S</b> 4 inch aperture, Square	<b>FT</b> Mud-in ring for use with flangeless installations.
	<b>4RVP</b> 4 inch aperture, Round, Vandal Proof	<b>WH</b> IP65 rated matte white (mounts onto flangeless trim). Not for use with Lensed Wall Wash (LW).

1. The 347V is not compatible with Lensed Wall Wash over 2000lm.  
 2. Emergency (EM) and Chicago Plenum (LC) options are only available with New construction (N) installations.  
 3. Airseal is only compatible with up to 2000lm.  
 4. Dali (D) and Lutron (L) dimming is not available with 500lm (05) lumen package.  
 5. The 2000, 2500, and 3000 lumen packages have marked spacing requirements (see Calculite LED generation 3 specification sheets page 2 for the requirements).  
 6. The 90 CRI option is only available with 2700K and 3000K CCT.  
 7. The Wide (W) beam Engine is optimal for any wall wash style (WW, LW, CW, DW).  
 8. The Square (S) aperture trim is only available with the Lensed wall wash (LW) style.  
 9. Corner and Double Wall Wash are not available with the flangeless option.

# 6" luminaires

Calculite LED generation 3



Round 6in aperture  
Downlight trim  
Narrow beam



Round 6in aperture  
Downlight trim  
Medium beam



Round 6in aperture  
Downlight trim  
Wide beam



Round 6in aperture  
Open wall wash trim



Round 6in aperture  
Double wall wash trim



Round 6in aperture  
Corner wall wash trim



Round 6in aperture  
Lensed wall wash trim



Square 6in aperture  
Downlight trim  
Narrow/Medium beam

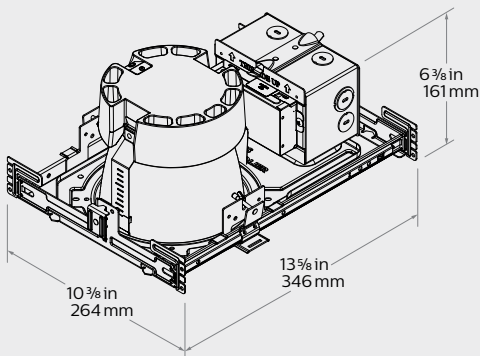


Square 6in aperture  
Downlight trim  
Wide beam

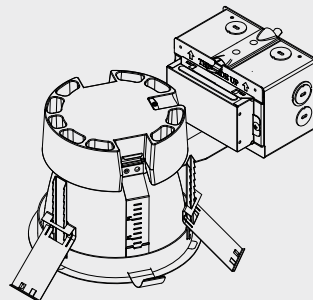


Square 6in aperture  
Lensed wall wash trim

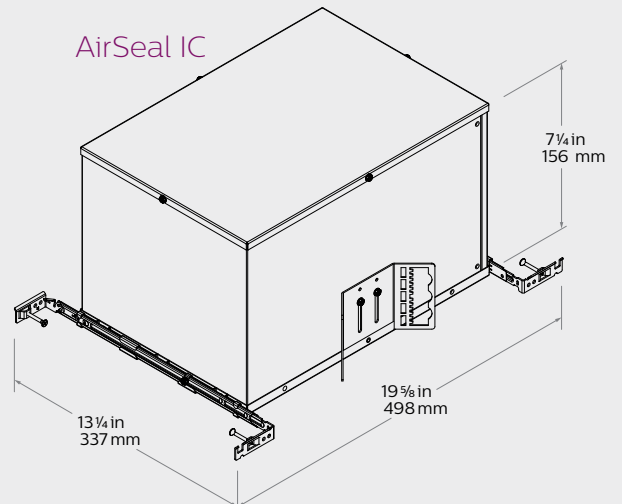
## New Construction



## Remodeler



## AirSeal IC



# Ordering guide

A + B + C + D (optional) + E (optional) = complete unit.

Refer to footnotes at the bottom of the page for configuration details and restrictions.

## A

### Frame

ex: C6RN

Series	Apertures	Installations	Voltages & Options
<b>C6</b>			
<b>C6</b> Calculite LED 6 inch aperture	<b>R</b> Round <b>S</b> Square	<b>N</b> New construction <b>R</b> Remodeler	— Universal (120/277V) <b>3</b> 347V <sup>1</sup> <b>EM</b> Emergency <sup>2</sup> <b>LC</b> Chicago Plenum <sup>2</sup>
		<b>A</b> AirSeal IC <sup>3</sup>	— Universal (120/277V)

## B

### Engine

ex: C6L15835NZ10U

Series	Lumens	CRIs	CCTs	Beams	Dimmings	Options	
<b>C6L</b>							
<b>C6L</b> Calculite LED 6 inch aperture	<b>10</b> 1000lm <b>15</b> 1500lm <b>20</b> 2000lm <b>25</b> 2500lm	<b>35</b> 3500lm <b>48</b> 4800lm <sup>4,5</sup> <b>60</b> 6000lm <sup>4,5</sup>	<b>8</b> 80CRI <b>9</b> 90CRI <sup>6</sup>	<b>27</b> 2700K <sup>6</sup> <b>30</b> 3000K <sup>6</sup> <b>35</b> 3500K <b>40</b> 4000K	<b>N</b> Narrow <b>M</b> Medium <b>W</b> Wide <sup>7</sup>	<b>Z10</b> 0-10V 1% <b>L</b> Lutron <sup>4</sup> <b>D</b> Dali <sup>4</sup>	<b>U</b> Universal (120/277/347V)

## C

### Trim

ex: C6RDLCCP

Series	Apertures	Styles	Beams	Reflectors	Flanges	Options
<b>C6</b>						
<b>C6</b> Calculite LED 6 inch aperture	<b>R</b> Round <b>S</b> Square	<b>DL</b> Downlight	— Any Engine beam (selected above)  <b>NM</b> Narrow/Medium <b>W</b> Wide	<b>CL</b> Specular clear <b>CC</b> Comfort clear <b>CD</b> Comfort clear diffuse <b>CZ</b> Champagne bronze <b>BK</b> Black (matte)	— White (matte) <b>P</b> Polished <b>F</b> Flangeless <sup>9</sup>	— Standard (none) <b>EM</b> Emergency (for downlight styles only)
	<b>R</b> Round <b>S</b> Square <sup>8</sup>	<b>WW</b> Open wall wash <sup>7</sup> <b>CW</b> Corner wall wash <sup>7,9</sup> <b>DW</b> Double wall wash <sup>7,9</sup> <b>LW</b> Lensed wall wash <sup>7,8</sup>	— Wide Engine beam is optimal for all wall wash styles <sup>7</sup>	<b>WH</b> White (matte)	— White (matte) <b>F</b> Flangeless <sup>9</sup>	

## D

### Vetro

ex: D6A04

Series	Sizes	Styles
<b>D</b>		
<b>D</b> Decorative elements	<b>6A</b> 6 inch aperture	<b>01</b> Round acrylic with aluminum insert <b>02</b> Round acrylic <b>03</b> Round angled double opal glass <b>04</b> Round opal glass <b>13</b> Round angled double opal glass within clear glass <b>14</b> Round opal glass within clear glass



## E

### Accessories (Compatible with all open and lensed reflectors)

ex: CA6RFT

Series	Options	Styles/Finishes
<b>C</b>		
<b>C</b> Calculite LED accessory	<b>A6R</b> 6 inch aperture, Round <b>A6S</b> 6 inch aperture, Square  <b>6RVP</b> 6 inch aperture, Round, Vandal Proof	<b>FT</b> Mud-in ring for use with flangeless installations.  <b>WH</b> IP65 rated matte white (mounts onto flangeless trim). Not for use with Lensed Wall Wash (LW).

1. The 347V is not compatible with Lensed Wall Wash over 2000lm.  
 2. Emergency (EM) and Chicago Plenum (LC) options are only available with New construction (N) installations.  
 3. Airseal is only compatible with up to 3500lm.  
 4. Dali (D) and Lutron (L) dimming are not available with 4800 and 6000lm.  
 5. The 4800 and 6000 lumen packages have marked spacing requirements (see Calculite LED generation 3 specification sheets page 2 for the requirements).  
 6. The 90 CRI option is only available with 2700K and 3000K CCT.  
 7. The Wide (W) beam Engine is optimal for any wall wash style (WW, LW, CW, DW).  
 8. The Square (S) aperture trim is only available with the Lensed wall wash (LW) style.  
 9. Corner and Double Wall Wash are not available with the flangeless option.

# 7" luminaires

Calculite LED generation 3



Round 7in aperture  
Downlight trim  
Narrow/Medium beam



Round 7in aperture  
Downlight trim  
Wide beam



Round 7in aperture  
Open wall wash trim



Round 7in aperture  
Double wall wash trim

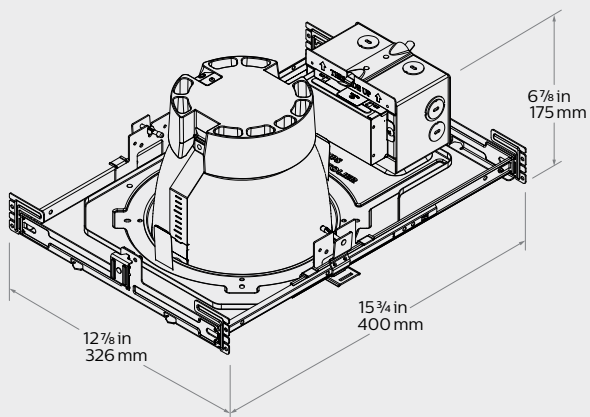


Round 7in aperture  
Corner wall wash trim

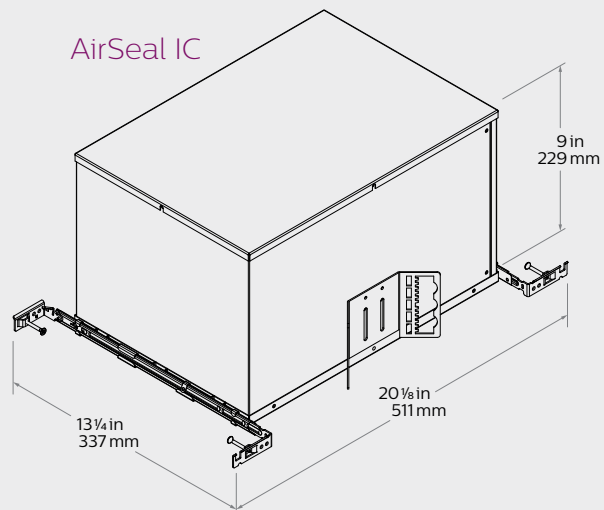


Round 7in aperture  
Lensed wall wash trim

## New Construction



## AirSeal IC





# Ordering guide

A + B + C + D (optional) + E (optional) = complete unit.

Refer to footnotes at the bottom of the page for configuration details and restrictions.

## A

### Frame

ex: C7RN

Series	Apertures	Installations	Voltages & Options
<b>C7</b>	<b>R</b>	<b>N</b>	
<b>C7</b> Calculte LED 7 inch aperture	<b>R</b> Round	<b>N</b> New construction	— Universal (120/277V) <b>3</b> 347V <sup>1</sup> <b>EM</b> Emergency <b>LC</b> Chicago Plenum

## B

### Engine

ex: C6L15835NZ10U

Series	Lumens	CRIs	CCTs	Beams	Dimmings	Options	
<b>C6L</b>						<b>U</b>	
<b>C6L</b> Calculte LED 6 inch and 7 inch apertures	<b>10</b> 1000lm <b>15</b> 1500lm <b>20</b> 2000lm <b>25</b> 2500lm	<b>35</b> 3500lm <b>48</b> 4800lm <sup>2,3</sup> <b>60</b> 6000lm <sup>2,3</sup>	<b>8</b> 80CRI <b>9</b> 90CRI <sup>4</sup>	<b>27</b> 2700K <sup>4</sup> <b>30</b> 3000K <sup>4</sup> <b>35</b> 3500K <b>40</b> 4000K	<b>N</b> Narrow <b>M</b> Medium <b>W</b> Wide <sup>5</sup>	<b>Z10</b> 0-10V 1% <b>L</b> Lutron <sup>2</sup> <b>D</b> Dali <sup>2</sup>	<b>U</b> Universal (120/277/347V)

## C

### Trim

ex: C7RDLNMCCP

Series	Apertures	Styles	Beams <sup>5</sup>	Reflectors	Flanges	Options
<b>C7</b>	<b>R</b>					
<b>C7</b> Calculte LED 7 inch aperture	<b>R</b> Round	<b>DL</b> Downlight	<b>NM</b> Narrow/Medium <b>W</b> Wide	<b>CL</b> Specular clear <b>CC</b> Comfort clear <b>CD</b> Comfort clear diffuse <b>CZ</b> Champagne bronze <b>BK</b> Black (matte)	— White (matte) <b>P</b> Polished <b>F</b> Flangeless <sup>7</sup>	— Standard (none) <b>EM</b> Emergency (for downlight styles only)
	<b>R</b> Round	<b>WW</b> Open wall wash <sup>6</sup> <b>CW</b> Corner wall wash <sup>6,7</sup> <b>DW</b> Double wall wash <sup>6,7</sup> <b>LW</b> Lensed wall wash <sup>6</sup>	— Wide Engine beam is optimal for all wall wash styles <sup>5</sup>	<b>WH</b> White (matte)	— White (matte) <b>F</b> Flangeless <sup>7</sup>	

## D

### Vetro

ex: D7A04

Series	Sizes	Styles
<b>D</b>	<b>7A</b>	
<b>D</b> Decorative elements	<b>7A</b> 7 inch aperture	<b>01</b> Round acrylic with aluminum insert <b>02</b> Round acrylic <b>03</b> Round angled double opal glass <b>04</b> Round opal glass <b>13</b> Round angled double opal glass within clear glass <b>14</b> Round opal glass within clear glass



## E

### Accessories (Compatible with all open and lensed reflectors)

ex: CA7RFT

Series	Options	Styles/Finishes
<b>C</b>	<b>A7R</b>	<b>FT</b>
<b>C</b> Calculte LED accessory	<b>A7R</b> 7 inch aperture, Round	<b>FT</b> Mud-in ring for use with flangeless installations.

1. The 347V is not compatible with Lensed Wall Wash over 2000lm.  
 2. Dali (D) and Lutron (L) dimming are not available with 4800 and 6000lm.  
 3. The 4800 and 6000 lumen packages have marked spacing requirements  
 (see Calculte LED generation 3 specification sheets page 2 for the requirements).

4. The 90 CRI option is only available with 2700K and 3000K CCT.  
 5. There are six beam options available. See spec sheets for degrees and spacing criterion.  
 6. The Wide (W) beam Engine is optimal for any wall wash style (WW, LW, CW, DW).  
 7. Corner and Double Wall Wash are not available with the flangeless option.

# 4" & 6" cylinders

Calculite LED generation 3



4in round cylinder with  
Narrow, Medium, and Wide beam



4in round cylinder with  
Open wall wash reflector



6in round cylinder with  
Narrow, Medium, and Wide beam



6in round cylinder with  
Open wall wash reflector

## Ordering guide

A + B (optional) = complete unit.

Refer to footnotes at the bottom of the page for configuration details and restrictions.

A

### Fixture

ex: C4SDL15835MZ10UCCW

Series	Mounts	Styles	Lumens	CRIs	CCTs	Beams	Dimmings	Voltages	Reflectors	Cylinders
<b>C4</b> Calculite LED 4 in aperture	<b>S</b> Surface <b>W</b> Wall <b>P</b> Pendant	<b>DL</b> Downlight <b>WW</b> Wall Wash <sup>1</sup>	<b>05</b> 500 <b>10</b> 1000 <b>15</b> 1500 <b>20</b> 2000 <b>25</b> 2500 <b>30</b> 3000	<b>8</b> 80 <b>9</b> 90 <sup>2</sup>	<b>27</b> 2700K <sup>2</sup> <b>30</b> 3000K <sup>2</sup> <b>35</b> 3500K <b>40</b> 4000K	<b>N</b> Narrow <b>M</b> Medium <b>W</b> Wide <sup>1</sup>	<b>Z10</b> 0-10V 1% <b>ELV</b> ELV	<b>U</b> Universal (120/277V) <b>1</b> 120V	<b>CL</b> Specular clear <b>CC</b> Comfort clear <b>CD</b> Comfort clear diffuse <b>CZ</b> Champagne bronze	<b>W</b> White (matte) <b>B</b> Black (matte) <b>A</b> Aluminum
<b>C6</b> Calculite LED 6 in aperture	<b>S</b> Surface <b>W</b> Wall <b>P</b> Pendant	<b>DL</b> Downlight <b>WW</b> Wall Wash <sup>1</sup>	<b>10</b> 1000 <b>15</b> 1500 <b>20</b> 2000 <b>25</b> 2500 <b>35</b> 3500 <b>48</b> 4800 <sup>3</sup> <b>60</b> 6000 <sup>3</sup>	<b>8</b> 80 <b>9</b> 90 <sup>2</sup>	<b>27</b> 2700K <sup>2</sup> <b>30</b> 3000K <sup>2</sup> <b>35</b> 3500K <b>40</b> 4000K	<b>N</b> Narrow <b>M</b> Medium <b>W</b> Wide <sup>1</sup>	<b>Z10</b> 0-10V 1% <sup>3</sup> <b>L</b> Lutron <b>D</b> Dali <b>ELV</b> ELV	<b>U</b> Universal (120/277V) <b>1</b> 120V	<b>CL</b> Specular clear <b>CC</b> Comfort clear <b>CD</b> Comfort clear diffuse <b>CZ</b> Champagne bronze	<b>W</b> White (matte) <b>B</b> Black (matte) <b>A</b> Aluminum

B

### Accessories

See specification sheets for mounting accessories

1. Wall wash is only available with Wide beam
2. The 90 CRI is only available with 27K and 30K
3. The 4800 & 6000lm are only available with 0-10V dimming.



Downlighting  
.....  
Calculite LED gen 3  
.....  
4in & 6in aperture  
luminaire  
.....

Calculite LED generation 3  
Round 6in aperture medium beam cylinders and downlights

# Finishes

## Calculite LED generation 3

### Reflector



#### CL Specular clear

Most specular and therefore most efficient finish, delivers maximum photometric performance but can produce a mirror image effect of the interior space.



#### CC Comfort clear

Semi-specular finish that softens the light at the source of the reflector and creates a subtle, even luminance from the reflector cone.



#### CD Comfort clear diffuse

Slightly diffuse clear finish, which eliminates iridescence and reduces the mirror image effect inherent with specular finishes.



#### CZ Champagne bronze

Semi-specular finish that softens the light at the source of the reflector while providing a warmer reflector appearance (light output is slightly warmer).



#### WH White (matte)

Brightest aperture when illuminated and provides the smoothest transition to most ceilings when off (white is only available with a white flange).



#### BK Black (matte)

Specular finish that provides the lowest aperture brightness possible and significantly reduces source identification in a ceiling.

### Flange



#### - White (matte)

Provides the smoothest transition to ceilings when off.



#### P Polished (matches aperture)

Produces a continuous look throughout the reflector (aperture matching).



#### F Flangeless (flush-mount)

Creates a flush, virtually seamless transition from aperture to ceiling.



#### FT Flangeless Mud-in Ring

Low profile, machined aluminum mud-in ring provides a raised rib to plaster up to and a 3/16" flange thickness. The ring is attached to the ceiling material as opposed to the frame-in kit to avoid conduction of heat and vibration which can cause yellowing or cracking of the plaster.

After installing the frame, a mud-in ring is inserted into the ceiling opening, the flange is plastered over, feathered, sanded and finished. The end result is a clean inconspicuous appearance with a flush, virtually seamless transition from aperture to ceiling.



#### VP Vandal Proof

Available for 4" and 6" round apertures. Provides an elegant solution for vandal resistant needs. One piece machined aluminum ring with impact resistant clear lens. Flangeless (F) flange must be ordered. Provides the luminaire with an IP65 rating.

**Note:** Not all finishes are available for all trims. Refer to specification sheet for availability. When handling reflectors, use clean white or plastic film gloves to avoid fingerprints. Specular surfaces can be cleaned by the following methods: Wipe off with soft clean, dry lint-free cloth; or wipe off with a soft cloth dampened in mild detergent solution, rinse, then wipe dry with lint-free cloth or paper towel; or wipe off with clean cloth dampened with a solution of wetting agent and water (such as 2 oz. per gallon "Pluronic L62-LF" by Wyanodotte Products or liquid such as Glass Wax®) then wipe dry with a lint-free cloth or paper towel. Avoid gritty cleaning agents.

# Vetro decorative elements

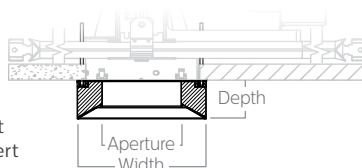
## Calculite LED generation 3

A definitive design statement utilizing balance and proportions. With uncompromising style and the look of clean, spare elegance, Vetro decorative glass elements open a world of creative potential. Designed for stand-out style or a reserved minimal look, these elements offer unlimited scope for a broad variety of applications – all within the same design family.

### D01 series



Round acrylic decorative element with aluminum insert

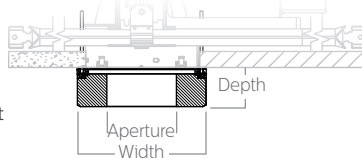


Cat. No.	Size	Aperture	Width	Depth
D4A01	4"	3 3/4" (95mm)	6" (152mm)	1 3/4" (44mm)
D6A01	6"	4 5/8" (117mm)	7 1/2" (191mm)	1 7/8" (48mm)
D7A01	7"	5 1/2" (140mm)	9" (229mm)	2" (51mm)

### D02 series



Round acrylic decorative element

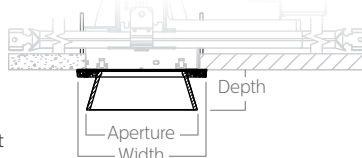


Cat. No.	Size	Aperture	Width	Depth
D4A02	4"	3 1/2" (89mm)	6" (152mm)	1 3/4" (44mm)
D6A02	6"	4" (102mm)	7 1/2" (191mm)	1 7/8" (48mm)
D7A02	7"	4 7/8" (124mm)	9" (229mm)	2" (51mm)

### D03 series



Round angled double opal glass decorative element

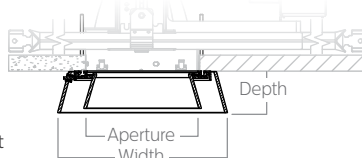


Cat. No.	Size	Aperture	Width	Depth
D4A03	4"	5 1/8" (130mm)	6 1/4" (159mm)	2" (51mm)
D6A03	6"	6 5/8" (168mm)	7 3/4" (197mm)	2 1/8" (54mm)
D7A03	7"	8 1/8" (206mm)	9 1/4" (235mm)	2 1/8" (54mm)

### D13 series



Round angled double opal glass decorative element within clear glass

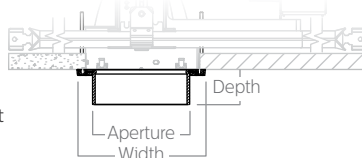


Cat. No.	Size	Aperture	Width	Depth
D4A13	4"	5 1/8" (130mm)	8 1/2" (216mm)	2 1/4" (57mm)
D6A13	6"	6 5/8" (168mm)	10" (254mm)	2 1/8" (54mm)
D7A13	7"	8 1/8" (206mm)	11 1/2" (292mm)	2 1/2" (64mm)

### D04 series



Round opal glass decorative element

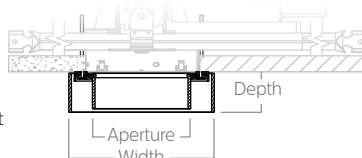


Cat. No.	Size	Aperture	Width	Depth
D4A04	4"	4 1/8" (105mm)	6 1/4" (159mm)	2" (51mm)
D6A04	6"	5 1/2" (140mm)	7 3/4" (197mm)	2 1/8" (54mm)
D7A04	7"	7 1/8" (181mm)	9 1/4" (235mm)	2 1/8" (54mm)

### D14 series



Round opal glass decorative element within clear glass



Cat. No.	Size	Aperture	Width	Depth
D4A14	4"	4 1/8" (105mm)	7 1/4" (184mm)	2 1/4" (57mm)
D6A14	6"	5 1/2" (140mm)	8 5/8" (219mm)	2 3/8" (60mm)
D7A14	7"	7 1/8" (181mm)	10 1/4" (260mm)	2 5/8" (67mm)

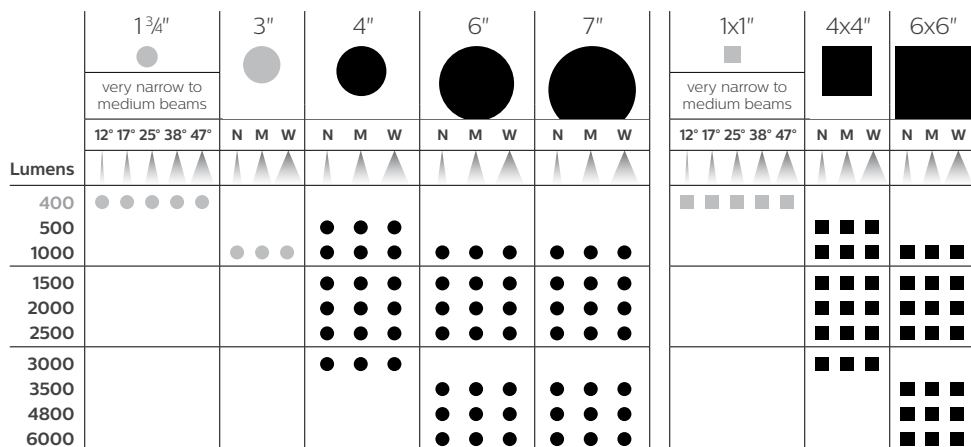
**Note:** A flangeless reflector is required for installation of the decorative glass elements. For the best visual effect, pair with the Calculite Clear (CL) reflector finish.



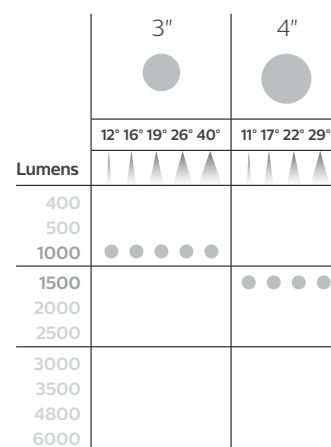
# Seeing is believing

Rely on the expertise of Philips Lightolier, and outstanding quality of Calculite LED generation 3 downlights, to help you and your design make a great impact. Contact us for a personal demonstration of the fast and easy three-part modular system and see the difference that Calculite LED's soft, soothing cone of illumination can make in your project. Or, visit our website at [www.philips.com/CalculiteLED](http://www.philips.com/CalculiteLED) for more information.

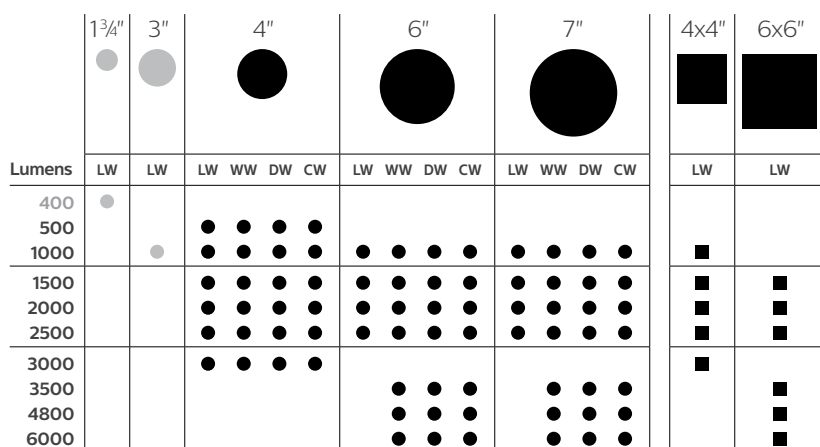
## Downlights



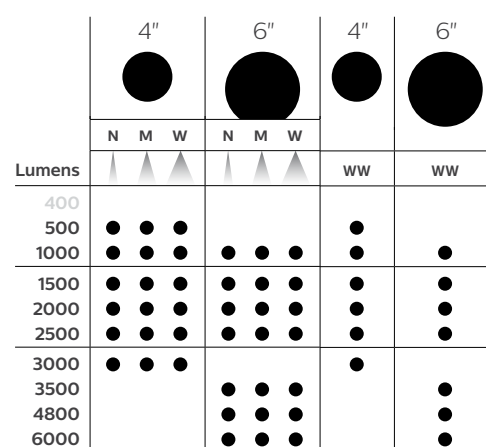
## Adjustable Accents



## Wall Washers



## Cylinders



N = Narrow beam M = Medium beam W = Wide beam LW = Lensed Wall Wash WW = Wall Wash DW = Double Wall Wash CW = Corner Wall Wash

Note: Refer to specification sheets for downlight beam spread angles, wet locations and ENERGY STAR® configurations.



# The ProLuminaire Mobile App



ProLuminaire Find out more at [philips.com/ProLuminaireApp](http://philips.com/ProLuminaireApp)

## The ProLuminaire Mobile App provides users with...

- The entire professional luminaire and controls portfolio.
- iOS and Android versions for phone and tablets.
- A variety of fast ways to search for your product: by product type, brand, product name, product family code, and more.
- Mobile access to professional lighting solutions, on the go.
- Media resources center to view product videos, brochures or presentations.
- Product and application image galleries.
- Quick downloads and information sharing, including product literature such as spec sheets and installation documents.



© 2016 Philips Lighting Holding B.V. All rights reserved. Philips reserves the right to make changes in specifications and/or to discontinue any product at any time without notice or obligation and will not be liable for any consequences resulting from the use of this publication.

PLI-1642BR 10/16 [www.philips.com/CalculiteLED](http://www.philips.com/CalculiteLED)

Philips Lighting  
North America Corporation  
200 Franklin Square Drive  
Somerset, NJ 08873  
Tel. 855-486-2216

Philips Lighting Canada Ltd.  
281 Hillmount Rd.  
Markham, ON,  
Canada L6C 2S3  
Tel. 800-668-9008