

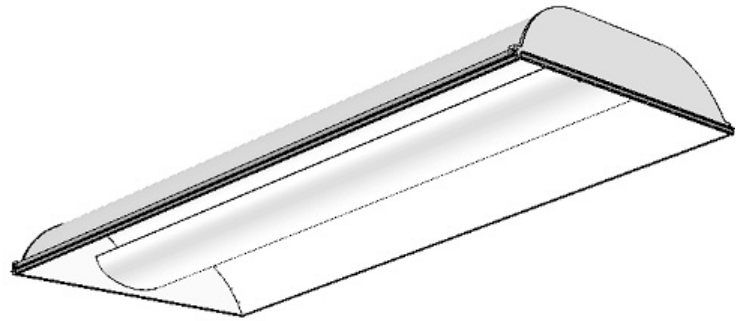
Coffaire II Recessed Fluorescent **CFH2GPF228 or 254**

Page 1 of 3

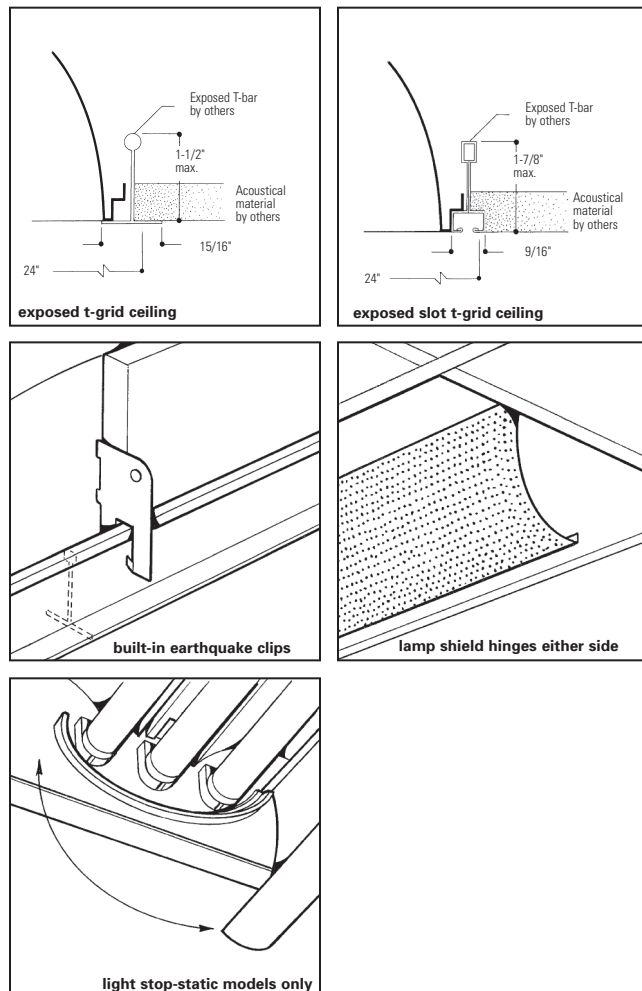
Direct/Indirect – 2' x 4' with Perforated Basket
Air Return/Static, 2 Lamp T5

Features

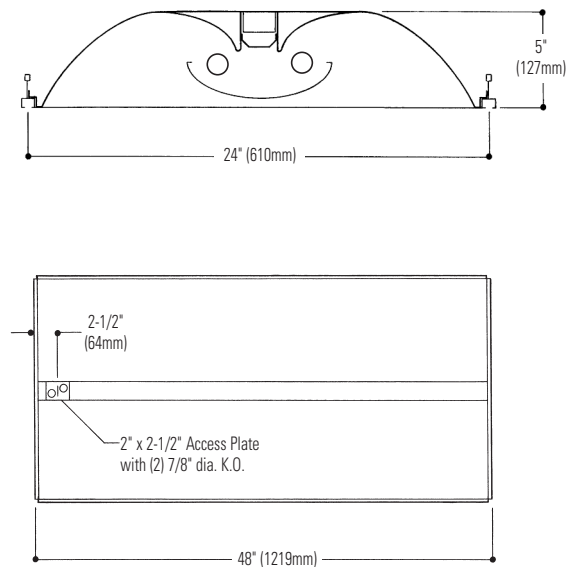
- Direct/indirect lamp shield appearance.
- Perforated mesh lamp shield with white acrylic overlay.
- Contoured body and ends.
- Air return models meet UL 1598, Paragraph 9.2.2.5 requirements.
- 65.0% efficient (2 lamp T5, 28W).
- 70.8% efficient (2 lamp T5, 54W).
- Spacing to mounting ratio 1.3.
- Only 5" deep.
- Tension bars secure ends to body.
- Same fixture fits both G and T ceiling.
- Fits flush to face of slot grid (T) ceiling.
- Static models have injection molded light stop at basket ends.
- Perforated lamp shield hinges from either side.
- Ballast accessible from room side.
- Built-in earthquake clips.
- Can be continuous row mounted.
- Wiring access plate standard.
- Construction to meet NYC Code or Chicago Plenum requirement is available.



Mounting Methods



Dimensions



Job Information Type:

Job Name:

Cat. No.:

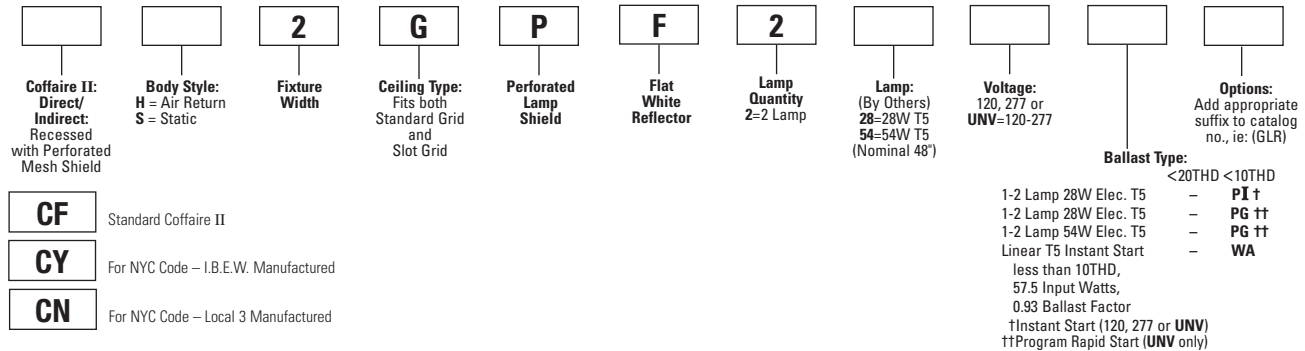
Lamp(s):

Volts/Ballast:

Coffaire II Recessed Fluorescent **CFH2GPF228 or 254**

Ordering Information

Explanation of Catalog Number. Example: CFH2GPF228120WA



Options/Accessories

Fusing: Internal fast blow fusing: SUFFIX: **A**.
Internal slow blow fusing: SUFFIX: **C**.

Drywall Kit: Order Catalog Number: **FK92X4** and **CF4FK SPACER**.

Electrical Wiring Options: Consult factory.

Specifications

Performance: In an installation of 2 lamp 28W luminaires in a room cavity ratio of 1, with reflectance 80% ceiling, 50% wall, 20% floor, the C.U. shall not be less than .68. To reduce glare the average brightness at 65° shall not exceed 1690 candelas per square meter. To control veiling reflections, luminaire output in the 30°-90° zone shall not be less than 73.4%.

Materials: Chassis parts are die-formed code gauge steel.

Lamp Shield: 22 gauge steel perforated mesh lamp shield with white acrylic overlay.

Finish: Chassis exterior – baked white polyester enamel. **Cavity** – baked flat white polyester enamel. **Reflector** – baked flat white polyester enamel, minimum 86% reflectance. Phosphate undercoating. **Lamp Shield** – baked flat white acrylic enamel.

Electrical: Thermally protected class "P" ballast C.B.M. approved, non PCB. If K.O. is within 3" of ballast, use wire suitable for at least 90°. UL Listed for damp locations.

Labels: I.B.E.W./UL and ULc Listed.

This product may have a mercury containing lamp. Manage in accord with Disposal Laws. See: www.lamprecycle.org

Job Information	Type:
------------------------	--------------

Coffaire II Recessed Fluorescent **CFH2GPF228 or 254**

Model No. CFH2GPF228120WA

LER = FP - 57.2 IW - 54.9 BF - 0.93
Comparative yearly lighting energy cost per
1000 lumens = \$4.20

Report Number: G2004258
Catalog Number: CFH2GPF228120WA
Lamps: F28T5
Luminaire: CFH 2'x4' with perforated
basket
Ballast: WA
Report is based on 2600 Lumens per lamp.
Efficiency: 65.0%
CIE Type-Direct-Indirect
Plane: 0-Deg 90-Deg
Spacing Criteria: 1.2 1.3
Shielding Angles: 55 65
Plane: 0-Deg 90-Deg
Luminous Length: 46.800 22.800

CANDELA DISTRIBUTION

	0.0	45.0	90.0	FLUX
0	1151	1151	1151	
5	1143	1146	1150	109
15	1091	1108	1125	313
25	999	1038	1076	479
35	871	940	997	586
45	714	814	880	622
55	531	661	730	578
65	333	476	492	441
75	163	206	199	213
85	32	34	34	40
90	2	2	2	

COEFFICIENTS OF UTILIZATION – ZONAL CAVITY METHOD. EFFECTIVE FLOOR CAVITY REFLECTANCE 0.20

RC	80	50	30	10	50	30	10
1	71	68	65	64	62	60	61
2	64	59	55	55	52	49	53
3	59	52	46	49	45	41	47
4	54	46	40	43	39	35	42
5	49	41	35	39	34	30	37
6	45	37	31	35	30	26	34
7	42	33	27	32	27	23	31
8	39	30	25	29	24	21	28
9	36	28	22	27	22	19	26
10	34	26	20	25	20	17	24

LUMINANCE DATA IN CANDELA/SQ. METER

AVERAGE IN DEG.	AVERAGE 0-DEG.	AVERAGE 45-DEG.	AVERAGE 90-DEG.
45	1466.	1672.	1807.
55	1344.	1673.	1848.
65	1144.	1636.	1690.
75	915.	1156.	1116.
85	533.	566.	566.

ZONAL LUMEN SUMMARY

ZONE	LUMENS	% LAMP	% FIXT
0- 30	901	17.3	26.6
0- 40	1487	28.6	44.0
0- 60	2687	51.7	79.4
0- 90	3382	65.0	100.0
90-180	0	0.0	0.0
0-180	3382	65.0	100.0

Model No. CFH2GPF254120PG

LER = FP - 50.7 IW - 123.2 BF - 1.00
Comparative yearly lighting energy cost per
1000 lumens = \$0.00

Report Number: G2004261
Catalog Number: CFH2GPF254120PG
Lamps: FP54/835
Luminaire: Coffaire direct/indirect with
perforated basket
Ballast: QT2X54/120
Report is based on 4400 Lumens per lamp.
Efficiency: 70.8%
CIE Type-Direct-Indirect
Plane: 0-Deg 90-Deg
Spacing Criteria: 1.2 1.3
Shielding Angles: 55 65
Plane: 0-Deg 90-Deg
Luminous Length: 46.920 22.920

CANDELA DISTRIBUTION

	0.0	45.0	90.0	FLUX
0	2082	2082	2082	
5	2069	2073	2078	197
15	1986	2006	2035	588
25	1834	1885	1947	871
35	1621	1711	1803	1072
45	1354	1488	1593	1143
55	1040	1212	1324	1071
65	690	878	905	828
75	323	388	373	401
85	63	67	65	78
90	0	0	0	

COEFFICIENTS OF UTILIZATION – ZONAL CAVITY METHOD. EFFECTIVE FLOOR CAVITY REFLECTANCE 0.20

RC	80	50	30	10	50	30	10
1	77	74	71	69	67	65	63
2	70	64	59	60	57	53	55
3	64	56	50	53	48	44	47
4	58	50	43	47	42	34	41
5	53	44	38	42	37	32	36
6	49	40	33	38	32	28	32
7	46	36	30	34	29	25	33
8	42	33	27	31	26	22	30
9	40	30	24	29	24	20	28
10	37	28	22	27	22	18	26

LUMINANCE DATA IN CANDELA/SQ. METER

AVERAGE IN DEG.	AVERAGE 0-DEG.	AVERAGE 45-DEG.	AVERAGE 90-DEG.
45	2759.	3032.	3246.
55	2612.	3044.	3326.
65	2352.	2993.	3085.
75	1798.	2160.	2076.
85	1041.	1108.	1075.

ZONAL LUMEN SUMMARY

ZONE	LUMENS	% LAMP	% FIXT
0- 30	1636	18.6	26.3
0- 40	2708	30.8	43.5
0- 60	4921	55.9	79.0
0- 90	6229	70.8	100.0
90-180	0	0.0	0.0
0-180	6229	70.8	100.0

Job Information Type:



© 2013 Koninklijke Philips Electronics N.V. All rights reserved.
Specifications are subject to change without notice.

CFH2GPF228OR254 03/13

Philips Lighting Company
200 Franklin Square Drive
Somerset, NJ 08873
Phone: 855-486-2216

www.philips.com/luminaires

Philips Lighting Company
281 Hillmount Road
Markham ON, Canada L6C 2S3
Phone: 800-668-9008

www.philips.com/luminaires