



TUV T5 - Small diameter lamps for professional applications

TUV T5

TUV T5 lamps are single- or double-ended UVC (germicidal) lamps used in professional water and air disinfection units. The small 16 mm diameter of the lamp allows for a small system design and design flexibility. TUV T5 lamps offer constant UV output over their complete lifetime, for maximum security of disinfection and high system efficacy.

优点

- Security of effective disinfection over the useful lifetime of the lamp
- High system efficacy because it is not required to over-design the purification system to maintain effectiveness of disinfection
- Good environmental choice because of lowest amount of mercury

特点

- Short-wave UV radiation with a peak at 253.7 nm (UVC) for disinfection
- Small diameter
- Protective inside coating ensures almost constant UV output over the complete lifetime of the lamp
- Lamp glass filters out the 185 nm ozone-forming radiation
- High temperature and UV-resistant lamp bases
- High Output versions available for optimum UVC output per lamp length, allowing for further reduction of system size
- Warning sign on lamp indicates that the lamp radiates UVC

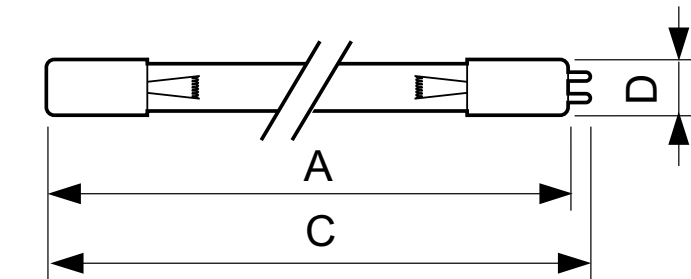
应用

- Deactivation of bacteria, viruses and other micro-organisms
- Air treatment systems
- Industrial water disinfection equipment, e.g. for food & beverage industry
- Small municipal water treatment systems
- Swimming pool units
- Residential drinking water units

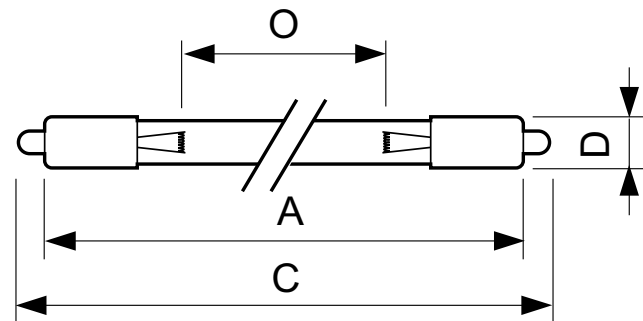
Versions



二维绘图

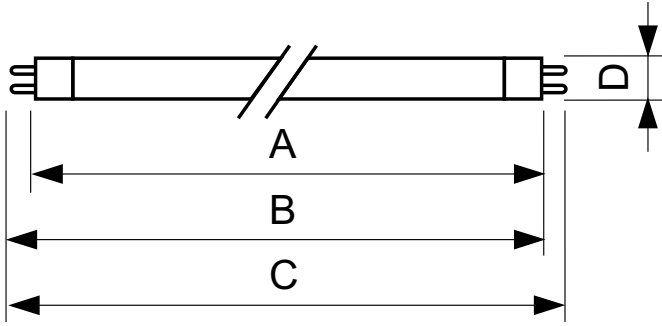


Product	D (max)	C (max)	A (max)
TUV 36T5 HE 4P SE UNP/32	19.3 mm	853 mm	845.4 mm
TUV 36T5 HO 4P SE UNP/32	19.3 mm	853 mm	845.4 mm
TUV 64T5 HO 4P SE UNP/32	19.3 mm	1564.5 mm	1555.2 mm
TUV 25W - 4P SE UNP/32	19.3 mm	556.6 mm	548.9 mm



Product	D (max)	O	C (max)	A (max)
TUV 36T5 SP NO/32	18.6 mm	762 mm	863.9 mm	845.4 mm

二维绘图



Product	D (max)	B (max)	B (min)	C (max)	A (max)
TUV 16W FAM/10X25BOX	16 mm	295.4 mm	293 mm	302.5 mm	288.3 mm

基本資訊	
主要應用	Disinfection
照明科技	
色碼	TUV
色彩名稱	-
機械和殼體	
燈泡形狀	T16

應用

Order Code	Full Product Name	汞 (Hg) 含量 (標稱)
927970004099	TUV 36T5 SP NO/32	3.0 mg
927970204099	TUV 36T5 HE 4P SE UNP/32	3.0 mg
927971104099	TUV 64T5 HO 4P SE UNP/32	5.5 mg

Order Code	Full Product Name	汞 (Hg) 含量 (標稱)
927972104099	TUV 36T5 HO 4P SE UNP/32	5.5 mg
927972204099	TUV 25W - 4P SE UNP/32	4.4 mg
928002004013	TUV 16W FAM/10X25BOX	4.4 mg

運作和電氣

Order Code	Full Product Name	燈具電流 (標稱)	電壓 (標稱)	功率 (額定)(標稱)
927970004099	TUV 36T5 SP NO/32	0.425 A	94 V	40 W
927970204099	TUV 36T5 HE 4P SE UNP/32	0.425 A	94 V	40 W
927971104099	TUV 64T5 HO 4P SE UNP/32	0.8 A	175 V	145 W

Order Code	Full Product Name	燈具電流 (標稱)	電壓 (標稱)	功率 (額定)(標稱)
927972104099	TUV 36T5 HO 4P SE UNP/32	0.8 A	97 V	75 W
927972204099	TUV 25W - 4P SE UNP/32	0.35 A	82 V	23 W
928002004013	TUV 16W FAM/10X25BOX	0.4 A	43 V	15 W

基本資訊

Order Code	Full Product Name	接口	可用使用時間 (標稱)	系統說明
927970004099	TUV 36T5 SP NO/32	SINGLEPIN	9000 h	高效率
927970204099	TUV 36T5 HE 4P SE UNP/32	4PINSSINGLEENDED	9000 h	高效率
927971104099	TUV 64T5 HO 4P SE UNP/32	4PINSSINGLEENDED	9000 h	高輸出 (HO)
927972104099	TUV 36T5 HO 4P SE UNP/32	4PINSSINGLEENDED	9000 h	高輸出 (HO)

Order Code	Full Product Name	接口	可用使用時間 (標稱)	系統說明
927972204099	TUV 25W - 4P SE UNP/32	4PINSSINGLEENDED	9000 h	納
928002004013	TUV 16W FAM/10X25BOX	G5	11000 h	納

照明科技

Order Code	Full Product Name	可用使用時間下的流明衰減
927970004099	TUV 36T5 SP NO/32	15 %
927970204099	TUV 36T5 HE 4P SE UNP/32	15 %
927971104099	TUV 64T5 HO 4P SE UNP/32	15 %

Order Code	Full Product Name	可用使用時間下的流明衰減
927972104099	TUV 36T5 HO 4P SE UNP/32	15 %
927972204099	TUV 25W - 4P SE UNP/32	20 %
928002004013	TUV 16W FAM/10X25BOX	15 %

紫外線

Order Code	Full Product Name	UV-C 輻射
927970004099	TUV 36T5 SP NO/32	15 W
927970204099	TUV 36T5 HE 4P SE UNP/32	15 W
927971104099	TUV 64T5 HO 4P SE UNP/32	48 W

Order Code	Full Product Name	UV-C 輻射
927972104099	TUV 36T5 HO 4P SE UNP/32	25 W
927972204099	TUV 25W - 4P SE UNP/32	8.0 W
928002004013	TUV 16W FAM/10X25BOX	4.0 W

