



# Philips Ledinaire Panel G3

## Ledinaire Panel G3

La gama Ledinaire contiene una selección de luminarias LED que cuentan con los elevados niveles de calidad de Philips a un precio competitivo. Fiable, económico y asequible: justo lo que necesitas.

### Beneficios

- Fácil instalación y larga vida que reduce el coste de mantenimiento
- Sustitución luminarias convencionales con ahorro directo superior al 40%
- Superficie de luz uniforme

### Características

- Versiones UGR <19 (OC) y UGR >19 (NOC)
- Temperaturas de color 4000K y 6500K
- Instalación en techos modulares vistos y disponibles accesorios para techos de escayola y montaje suspendido y adosado

### Aplicaciones

- Iluminación general interior
- Oficinas
- Comercios
- Sanidad

# Ledinaire Panel G3

## Versions

Ledinaire Panel PSD All-in  
830\_835\_840 W60L60 OC



Ledinaire Panel G5 30x120



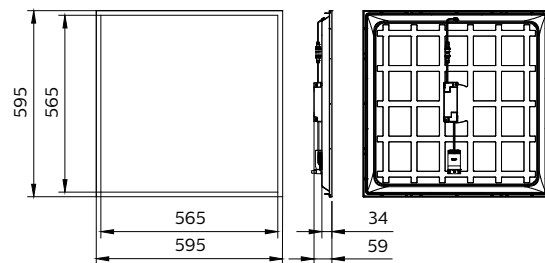
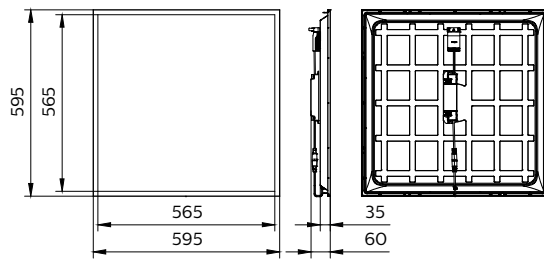
Ledinaire Panel PSU All-in  
830\_835\_840 W60L60 OC



Ledinaire Panel All-in PSU 60x60

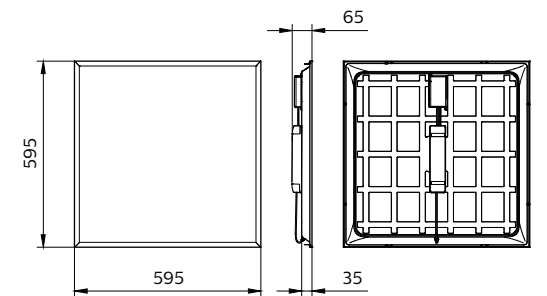
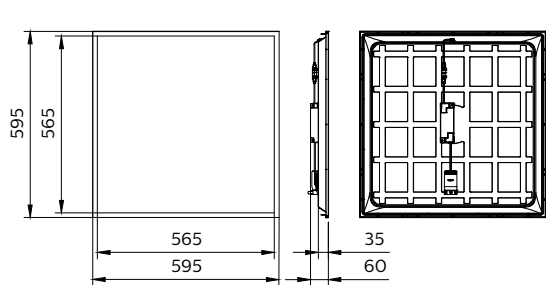
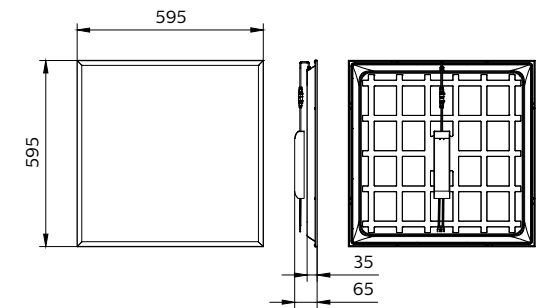
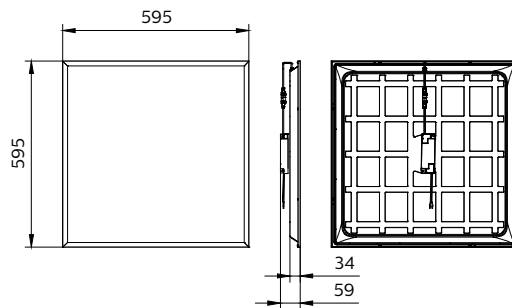
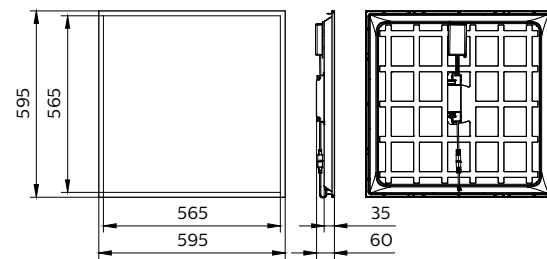
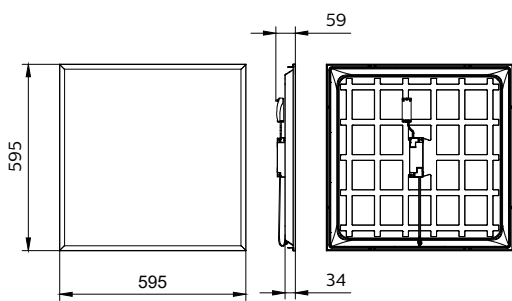
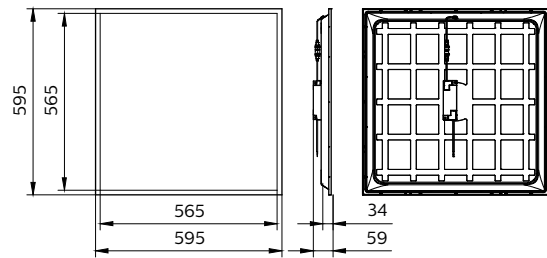
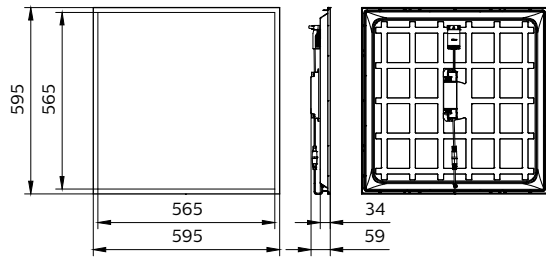


## Plano de dimensiones



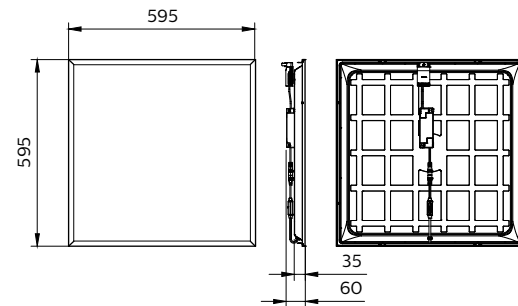
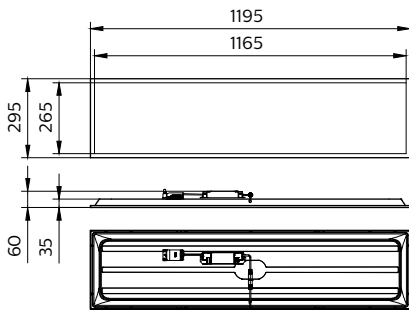
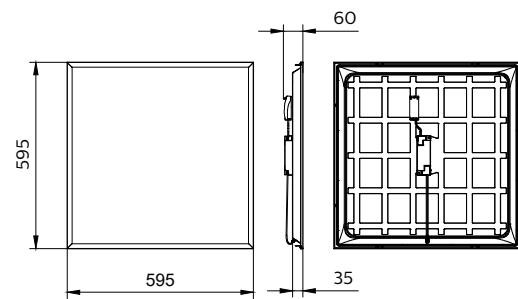
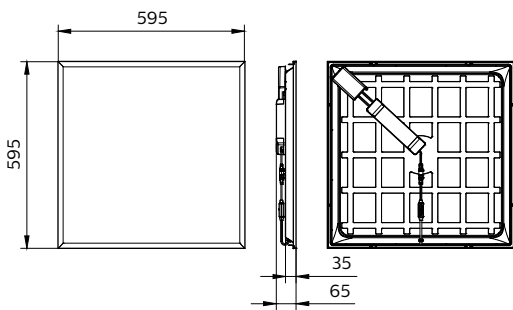
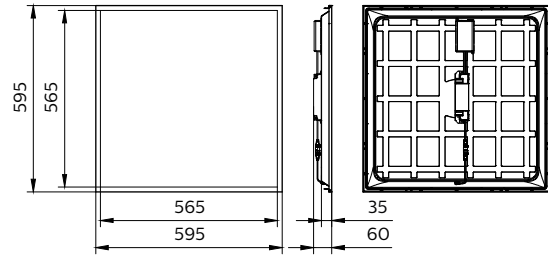
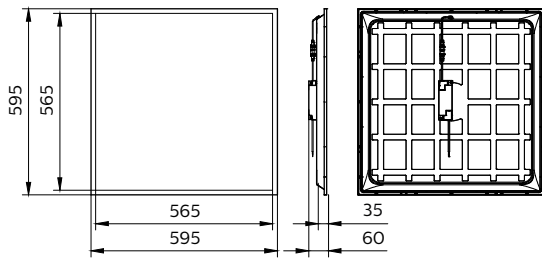
# Ledinaire Panel G3

## Plano de dimensiones



# Ledinaire Panel G3

## Plano de dimensiones



## Detalles del producto



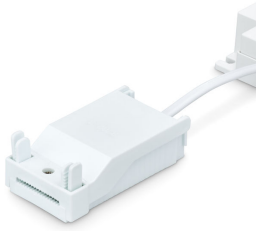
DC plug



Ledinaire Panel G5 All in CCT  
Switch 3000K

# Ledinaire Panel G3

## Detalles del producto



White Quick connector-closed



Panel flywires CFW + backside panel



Ledinaire Panel G5 All in CCT  
Switch PSU ON OFF Driver Open  
connector



Ledinaire Panel G5 PSD DALI  
Driver Open connector



UGR22 optical exit window



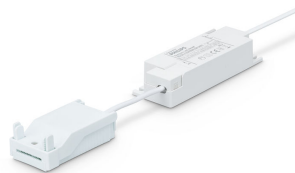
Ledinaire Panel G5 All in CCT  
Switch PSD ON OFF Driver Closed  
connector



Ledinaire Panel G5 PSD DALI  
Driver Closed connector



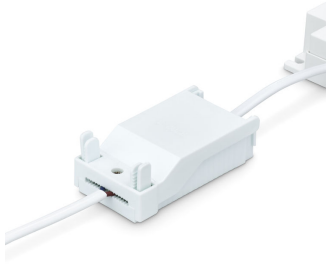
Ledinaire panel gen 4 PSD driver  
and closed connector



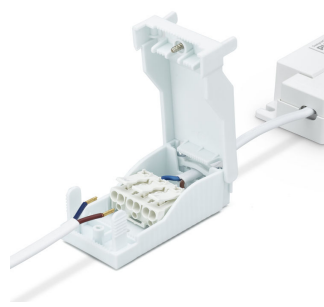
Ledinaire panel G4 Driver +  
connection wires

# Ledinaire Panel G3

## Detalles del producto



White Quick connector+wire-closed



White Quick connector +wire-open



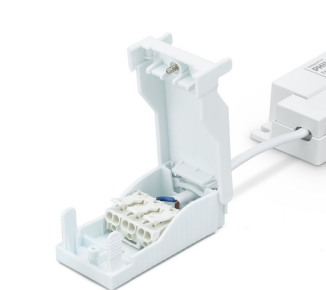
Ledinaire panel gen 4 PSU driver and open connector



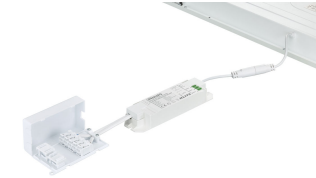
Panel front view



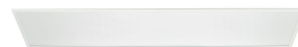
DC plug open with driver and panel



White Quick connector-open



Ledinaire Panel G5 All in CCT Switch PSD ON OFF Driver Open connector



Ledinaire Panel RC065B G5 30x120 Packaging



Panel flywires CFW



Ledinaire panel G4 Backside W60L60

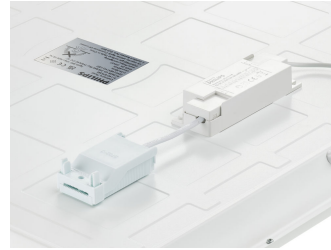
# Ledinaire Panel G3

## Detalles del producto

Ledinaire Panel RC065B Square  
backside



Ledinaire Panel Gen 5-  
RC065B\_RC066B Square-  
backside-PSU driver and  
connector



Ledinaire Panel Gen 5-  
RC065B\_RC066B Square-  
backside

Ledinaire Panel RC065B G5 PSU  
30x120 Backside



Ledinaire Panel G5 All in CCT  
Switch PSU ON OFF Driver Closed  
connector



DC plug closed with driver and  
panel

Ledinaire Panel G5 All in CCT  
Switch 3500K



Ledinaire Panel G5 All in CCT  
Switch 4000K



# Ledinaire Panel G3

## Detalles del producto

Ledinaire panel gen 4 PSD driver and open connector



UGR19 optical exit window



Ledinaire Panel 4100lm backside



Ledinaire panel gen 4 PSU driver and closed connector



Multicolour switch panel, CCT switch panel



Ledinaire Panel Gen 5-RC065B\_RC066B Square-backside-PSU driver and connector



Multicolour switch panel, CCT switch panel





## Ledinaire Panel G3

### Información general

Driver incluido	Sí
Certificado ENEC	-
Marca de inflamabilidad	Para su montaje en superficies normalmente inflamables
Test del hilo incandescente	Temperatura 650 °C, duración 30 s
Número de unidades de equipo	1 unidad

### Datos técnicos de la luz

Valor de parpadeo (PstLM)	1
---------------------------	---

### Operativos y eléctricos

Line Frequency	50 or 60 Hz
----------------	-------------

### Mecánicos y de carcasa

Color de la carcasa	Blanco
---------------------	--------

### Aprobación y aplicación

Clase de protección IEC	Seguridad clase II
Índice de protección frente a choque mecánico	IK02

### Información general

Order Code	Full Product Name	Marca CE	Fuente de luz sustituible
36926699	RC065B LED41S/840 PSU W60L60 NOC	Sí	No
53064599	RC065B LED34S/840 PSD W60L60 OC	Sí	No
53065299	RC065B LED34S/830 PSU W60L60 OC	Sí	No
53066999	RC065B LED34S/830 PSU W60L60 NOC	Sí	No
51697799	RC065B G5 34_36S/830_40 PSD W60L60 OC SC	Marca CE	-
38647499	RC065B LED34S/840 PSU W60L60 OC	Sí	No
36204599	RC065B LED34S/865 PSU W60L60 OC	Sí	No
79180399	RC065B LED34S/840 PSU W60L60 NOC	Sí	No
36206999	RC065B LED34S/865 PSU W60L60 NOC	Sí	No
51698499	RC065B G5 34_36S/830_40 PSU 30x120 OC SC	Marca CE	-
50127099	RC065B LED34S/840 PSU W60L60 NOC BN	Sí	No
50130099	RC065B LED34S/840 PSD W60L60 OC BN	Sí	No
50168399	RC065B LED34S/830_835_840 PSU W60L60 OC	Sí	No
50169099	RC065B LED34S/830_835_840 PSD W60L60 OC	Sí	No
51672499	RC065B G5 34_36S/830_40 PSU W60L60 OC SC	Marca CE	-
51673199	RC065B G5 34_36S/830_40 PSU 60x60 NOC SC	Marca CE	-
51651999	RC065B G5 34S/840 PSU W60L60 OC CFW	Marca CE	-
51652699	RC065B G5 34S/840 PSU W60L60 OC SC	Marca CE	-
51653399	RC065B G5 34S/865 PSU W60L60 OC CFW	Marca CE	-
51654099	RC065B G5 34S/840 PSU W60L60 NOC CFW	Marca CE	-
51655799	RC065B G5 34S/840 PSU W60L60 NOC SC	Marca CE	-
51656499	RC065B G5 34S/865 PSU W60L60 NOC CFW	Marca CE	-
51658899	RC065B G5 34S/840 PSD W60L60 OC SC	Marca CE	-
51659599	RC065B G5 41S/840 PSU W60L60 NOC CFW	Marca CE	-
51660199	RC065B G5 41S/840 PSU W60L60 OC CFW	Marca CE	-

### Datos técnicos de la luz (1/2)

Order Code	Full Product Name	"All-in" Type	Ángulo de haz de la fuente de luz	Temperatura de color correlacionada (Nom)	Índice de reproducción cromática (IRC)
36926699	RC065B LED41S/840 PSU W60L60 NOC	-	-	4000 K	≥80
53064599	RC065B LED34S/840 PSD W60L60 OC	-	-	4000 K	≥80
53065299	RC065B LED34S/830 PSU W60L60 OC	-	-	3000 K	≥80
53066999	RC065B LED34S/830 PSU W60L60 NOC	-	-	3000 K	≥80
51697799	RC065B G5 34_36S/830_40 PSD W60L60 OC SC	"All-in" Multi Color Temperature	90 °	Selectable	80

Order Code	Full Product Name	"All-in" Type	Ángulo de haz de la fuente de luz	Temperatura de color correlacionada (Nom)	Índice de reproducción cromática (IRC)
38647499	RC065B LED34S/840 PSU W60L60 OC	-	-	4000 K	≥80
36204599	RC065B LED34S/865 PSU W60L60 OC	-	-	6500 K	≥80
79180399	RC065B LED34S/840 PSU W60L60 NOC	-	-	4000 K	≥80
36206999	RC065B LED34S/865 PSU W60L60 NOC	-	-	6500 K	≥80
51698499	RC065B G5 34_36S/830_40 PSU 30x120 OC SC	"All-in" Multi Color Temperature	90 °	Selectable	80

## Ledinaire Panel G3

Order Code	Full Product Name	"All-in" Type	Ángulo de haz de la fuente de luz	Temperatura de color correlacionada (Nom)	Índice de reproducción cromática (IRC)
50127099	RC065B LED34S/840 PSU W60L60 NOC BN	-	-	4000 K	≥80
50130099	RC065B LED34S/840 PSD W60L60 OC BN	-	-	4000 K	≥80
50168399	RC065B LED34S/ 830_835_840 PSU W60L60 OC	-	-	3000 K	≥80
50169099	RC065B LED34S/ 830_835_840 PSD W60L60 OC	-	-	3000 K	≥80
51672499	RC065B G5 34_36S/830_40 PSU W60L60 OC SC	"All-in" Multi Color Temperature	90 °	Selectable	80
51673199	RC065B G5 34_36S/830_40 PSU 60x60 NOC SC	"All-in" Multi Color Temperature	120 °	Selectable	80
51651999	RC065B G5 34S/840 PSU W60L60 OC CFW	-	90 °	4000 K	80
51652699	RC065B G5 34S/840 PSU W60L60 OC SC	-	90 °	4000 K	80

Order Code	Full Product Name	"All-in" Type	Ángulo de haz de la fuente de luz	Temperatura de color correlacionada (Nom)	Índice de reproducción cromática (IRC)
51653399	RC065B G5 34S/865 PSU W60L60 OC CFW	-	90 °	6500 K	80
51654099	RC065B G5 34S/840 PSU W60L60 NOC CFW	-	120 °	4000 K	80
51655799	RC065B G5 34S/840 PSU W60L60 NOC SC	-	120 °	4000 K	80
51656499	RC065B G5 34S/865 PSU W60L60 NOC CFW	-	120 °	6500 K	80
51658899	RC065B G5 34S/840 PSD W60L60 OC SC	-	90 °	4000 K	80
51659599	RC065B G5 41S/840 PSU W60L60 NOC CFW	-	120 °	4000 K	80
51660199	RC065B G5 41S/840 PSU W60L60 OC CFW	-	90 °	4000 K	80

### Datos técnicos de la luz (2/2)

Order Code	Full Product Name	Eficacia lumínica (nominal) (nom.)	Flujo luminoso	Tipo de óptica	Valor de efecto estroboscópico (SVM)
36926699	RC065B LED41S/840 PSU W60L60 NOC	93 lm/W	4.100 lm	Ángulo del haz de 120°	0,4
53064599	RC065B LED34S/840 PSD W60L60 OC	100 lm/W	3.400 lm	Ángulo del haz de 90°	0,4
53065299	RC065B LED34S/830 PSU W60L60 OC	100 lm/W	3.400 lm	Ángulo del haz de 90°	0,4
53066999	RC065B LED34S/830 PSU W60L60 NOC	100 lm/W	3.400 lm	Ángulo del haz de 120°	0,4

Order Code	Full Product Name	Eficacia lumínica (nominal) (nom.)	Flujo luminoso	Tipo de óptica	Valor de efecto estroboscópico (SVM)
51697799	RC065B G5 34_36S/830_40 PSD W60L60 OC SC	120 lm/W	3.400 lm	Ángulo del haz de 90°	-
38647499	RC065B LED34S/840 PSU W60L60 OC	100 lm/W	3.400 lm	Ángulo del haz de 90°	0,4
36204599	RC065B LED34S/865 PSU W60L60 OC	100 lm/W	3.400 lm	Ángulo del haz de 90°	0,4

## Ledinaire Panel G3

Order Code	Full Product Name	Eficacia lumínica		Tipo de óptica	Valor de efecto estroboscópico (SVM)
		(nominal)	Flujo luminoso		
79180399	RC065B LED34S/840 PSU W60L60 NOC	100 lm/W	3.400 lm	Ángulo del haz de 120°	0,4
36206999	RC065B LED34S/865 PSU W60L60 NOC	100 lm/W	3.400 lm	Ángulo del haz de 120°	0,4
51698499	RC065B G5 34_36S/830_40 PSU 30x120 OC SC	120 lm/W	3.400 lm	Ángulo del haz de 90°	-
50127099	RC065B LED34S/840 PSU W60L60 NOC BN	100 lm/W	3.400 lm	Ángulo del haz de 120°	0,4
50130099	RC065B LED34S/840 PSD W60L60 OC BN	100 lm/W	3.400 lm	Ángulo del haz de 90°	0,4
50168399	RC065B LED34S/830_835_840 PSU W60L60 OC	100 lm/W	3.400 lm	Ángulo del haz de 90°	0,4
50169099	RC065B LED34S/830_835_840 PSD W60L60 OC	100 lm/W	3.400 lm	Ángulo del haz de 90°	0,4
51672499	RC065B G5 34_36S/830_40 PSU W60L60 OC SC	120 lm/W	3.400 lm	Ángulo del haz de 90°	-
51673199	RC065B G5 34_36S/830_40	120 lm/W	3.400 lm	Ángulo del haz de 120°	-

Order Code	Full Product Name	Eficacia lumínica		Tipo de óptica	Valor de efecto estroboscópico (SVM)
		(nominal)	Flujo luminoso		
	PSU 60x60 NOC SC				
51651999	RC065B G5 34S/840 PSU W60L60 OC CFW	120 lm/W	3.400 lm	Ángulo del haz de 90°	-
51652699	RC065B G5 34S/840 PSU W60L60 OC SC	120 lm/W	3.400 lm	Ángulo del haz de 90°	-
51653399	RC065B G5 34S/865 PSU W60L60 OC CFW	120 lm/W	3.400 lm	Ángulo del haz de 90°	-
51654099	RC065B G5 34S/840 PSU W60L60 NOC CFW	120 lm/W	3.400 lm	Ángulo del haz de 120°	-
51655799	RC065B G5 34S/840 PSU W60L60 NOC SC	120 lm/W	3.400 lm	Ángulo del haz de 120°	-
51656499	RC065B G5 34S/865 PSU W60L60 NOC CFW	120 lm/W	3.400 lm	Ángulo del haz de 120°	-
51658899	RC065B G5 34S/840 PSD W60L60 OC SC	120 lm/W	3.400 lm	Ángulo del haz de 90°	-
51659599	RC065B G5 41S/840 PSU W60L60 NOC CFW	120 lm/W	4.100 lm	Ángulo del haz de 120°	-
51660199	RC065B G5 41S/840 PSU W60L60 OC CFW	120 lm/W	4.100 lm	Ángulo del haz de 90°	-

### Operativos y eléctricos

Order Code	Full Product Name	Tensión de entrada	Consumo de energía
36926699	RC065B LED41S/840 PSU W60L60 NOC	220-240 V	44 W
53064599	RC065B LED34S/840 PSD W60L60 OC	220-240 V	34 W
53065299	RC065B LED34S/830 PSU W60L60 OC	220-240 V	34 W
53066999	RC065B LED34S/830 PSU W60L60 NOC	220-240 V	34 W
51697799	RC065B G5 34_36S/830_40 PSD W60L60 OC SC	220 a 240 V	28 W
38647499	RC065B LED34S/840 PSU W60L60 OC	220-240 V	34 W
36204599	RC065B LED34S/865 PSU W60L60 OC	220-240 V	34 W

Order Code	Full Product Name	Tensión de entrada	Consumo de energía
79180399	RC065B LED34S/840 PSU W60L60 NOC	220-240 V	34 W
36206999	RC065B LED34S/865 PSU W60L60 NOC	220-240 V	34 W
51698499	RC065B G5 34_36S/830_40 PSU 30x120 OC SC	220 a 240 V	28 W
50127099	RC065B LED34S/840 PSU W60L60 NOC BN	220-240 V	34 W
50130099	RC065B LED34S/840 PSD W60L60 OC BN	220-240 V	34 W
50168399	RC065B LED34S/830_835_840 PSU W60L60 OC	220-240 V	34 W
50169099	RC065B LED34S/830_835_840 PSD W60L60 OC	220-240 V	34 W

## Ledinaire Panel G3

Order Code	Full Product Name	Tensión de entrada	Consumo de energía
51672499	RC065B G5 34_36S/830_40 PSU W60L60 OC SC	220 a 240 V	28 W
51673199	RC065B G5 34_36S/830_40 PSU 60x60 NOC SC	220 a 240 V	28 W
51651999	RC065B G5 34S/840 PSU W60L60 OC CFW	220 a 240 V	28 W
51652699	RC065B G5 34S/840 PSU W60L60 OC SC	220 a 240 V	28 W
51653399	RC065B G5 34S/865 PSU W60L60 OC CFW	220 a 240 V	28 W
51654099	RC065B G5 34S/840 PSU W60L60 NOC CFW	220 a 240 V	28 W

Order Code	Full Product Name	Tensión de entrada	Consumo de energía
51655799	RC065B G5 34S/840 PSU W60L60 NOC SC	220 a 240 V	28 W
51656499	RC065B G5 34S/865 PSU W60L60 NOC CFW	220 a 240 V	28 W
51658899	RC065B G5 34S/840 PSD W60L60 OC SC	220 a 240 V	28 W
51659599	RC065B G5 41S/840 PSU W60L60 NOC CFW	220 a 240 V	34 W
51660199	RC065B G5 41S/840 PSU W60L60 OC CFW	220 a 240 V	34 W

## Temperatura

Order Code	Full Product Name	Rango de temperatura ambiente
36926699	RC065B LED41S/840 PSU W60L60 NOC	-10 °C a +25 °C
53064599	RC065B LED34S/840 PSD W60L60 OC	-10 °C a +25 °C
53065299	RC065B LED34S/830 PSU W60L60 OC	-10 °C a +25 °C
53066999	RC065B LED34S/830 PSU W60L60 NOC	-10 °C a +25 °C
51697799	RC065B G5 34_36S/830_40 PSD W60L60 OC SC	-10 °C a +35 °C
38647499	RC065B LED34S/840 PSU W60L60 OC	-10 °C a +25 °C
36204599	RC065B LED34S/865 PSU W60L60 OC	-10 °C a +25 °C
79180399	RC065B LED34S/840 PSU W60L60 NOC	-10 °C a +25 °C
36206999	RC065B LED34S/865 PSU W60L60 NOC	-10 °C a +25 °C
51698499	RC065B G5 34_36S/830_40 PSU 30x120 OC SC	-10 °C a +35 °C
50127099	RC065B LED34S/840 PSU W60L60 NOC BN	-10 °C a +35 °C
50130099	RC065B LED34S/840 PSD W60L60 OC BN	-10 °C a +35 °C
50168399	RC065B LED34S/830_835_840 PSU W60L60 OC	-10 °C a +35 °C
50169099	RC065B LED34S/830_835_840 PSD W60L60 OC	-10 °C a +35 °C
51672499	RC065B G5 34_36S/830_40 PSU W60L60 OC SC	-10 °C a +35 °C

Order Code	Full Product Name	Rango de temperatura ambiente
51673199	RC065B G5 34_36S/830_40 PSU 60x60 NOC SC	-10 °C a +35 °C
51651999	RC065B G5 34S/840 PSU W60L60 OC CFW	-10 °C a +35 °C
51652699	RC065B G5 34S/840 PSU W60L60 OC SC	-10 °C a +35 °C
51653399	RC065B G5 34S/865 PSU W60L60 OC CFW	-10 °C a +35 °C
51654099	RC065B G5 34S/840 PSU W60L60 NOC CFW	-10 °C a +35 °C
51655799	RC065B G5 34S/840 PSU W60L60 NOC SC	-10 °C a +35 °C
51656499	RC065B G5 34S/865 PSU W60L60 NOC CFW	-10 °C a +35 °C
51658899	RC065B G5 34S/840 PSD W60L60 OC SC	-10 °C a +35 °C
51659599	RC065B G5 41S/840 PSU W60L60 NOC CFW	-10 °C a +35 °C
51660199	RC065B G5 41S/840 PSU W60L60 OC CFW	-10 °C a +35 °C

## Controles y regulación

Order Code	Full Product Name	Regulable
36926699	RC065B LED41S/840 PSU W60L60 NOC	No
53064599	RC065B LED34S/840 PSD W60L60 OC	Sí
53065299	RC065B LED34S/830 PSU W60L60 OC	No
53066999	RC065B LED34S/830 PSU W60L60 NOC	No
51697799	RC065B G5 34_36S/830_40 PSD W60L60 OC SC	Sí
38647499	RC065B LED34S/840 PSU W60L60 OC	No
36204599	RC065B LED34S/865 PSU W60L60 OC	No

Order Code	Full Product Name	Regulable
79180399	RC065B LED34S/840 PSU W60L60 NOC	No
36206999	RC065B LED34S/865 PSU W60L60 NOC	No
51698499	RC065B G5 34_36S/830_40 PSU 30x120 OC SC	No
50127099	RC065B LED34S/840 PSU W60L60 NOC BN	No
50130099	RC065B LED34S/840 PSD W60L60 OC BN	Sí
50168399	RC065B LED34S/830_835_840 PSU W60L60 OC	No
50169099	RC065B LED34S/830_835_840 PSD W60L60 OC	Sí

## Ledinaire Panel G3

Order Code	Full Product Name	Regulable
51672499	RC065B G5 34_36S/830_40 PSU W60L60 OC SC	No
51673199	RC065B G5 34_36S/830_40 PSU 60x60 NOC SC	No
51651999	RC065B G5 34S/840 PSU W60L60 OC CFW	No
51652699	RC065B G5 34S/840 PSU W60L60 OC SC	No
51653399	RC065B G5 34S/865 PSU W60L60 OC CFW	No
51654099	RC065B G5 34S/840 PSU W60L60 NOC CFW	No

Order Code	Full Product Name	Regulable
51655799	RC065B G5 34S/840 PSU W60L60 NOC SC	No
51656499	RC065B G5 34S/865 PSU W60L60 NOC CFW	No
51658899	RC065B G5 34S/840 PSD W60L60 OC SC	Sí
51659599	RC065B G5 41S/840 PSU W60L60 NOC CFW	No
51660199	RC065B G5 41S/840 PSU W60L60 OC CFW	No

### Aprobación y aplicación

Order Code	Full Product Name	Código de protección de entrada
36926699	RC065B LED41S/840 PSU W60L60 NOC	IP20
53064599	RC065B LED34S/840 PSD W60L60 OC	IP20
53065299	RC065B LED34S/830 PSU W60L60 OC	IP20
53066999	RC065B LED34S/830 PSU W60L60 NOC	IP20
51697799	RC065B G5 34_36S/830_40 PSD W60L60 OC SC	IP20/40
38647499	RC065B LED34S/840 PSU W60L60 OC	IP20
36204599	RC065B LED34S/865 PSU W60L60 OC	IP20
79180399	RC065B LED34S/840 PSU W60L60 NOC	IP20
36206999	RC065B LED34S/865 PSU W60L60 NOC	IP20
51698499	RC065B G5 34_36S/830_40 PSU 30x120 OC SC	IP20/40
50127099	RC065B LED34S/840 PSU W60L60 NOC BN	IP20
50130099	RC065B LED34S/840 PSD W60L60 OC BN	IP20
50168399	RC065B LED34S/830_835_840 PSU W60L60 OC	IP20

Order Code	Full Product Name	Código de protección de entrada
50169099	RC065B LED34S/830_835_840 PSD W60L60 OC	IP20
51672499	RC065B G5 34_36S/830_40 PSU W60L60 OC SC	IP20/40
51673199	RC065B G5 34_36S/830_40 PSU 60x60 NOC SC	IP20/40
51651999	RC065B G5 34S/840 PSU W60L60 OC CFW	IP20/40
51652699	RC065B G5 34S/840 PSU W60L60 OC SC	IP20/40
51653399	RC065B G5 34S/865 PSU W60L60 OC CFW	IP20/40
51654099	RC065B G5 34S/840 PSU W60L60 NOC CFW	IP20/40
51655799	RC065B G5 34S/840 PSU W60L60 NOC SC	IP20/40
51656499	RC065B G5 34S/865 PSU W60L60 NOC CFW	IP20/40
51658899	RC065B G5 34S/840 PSD W60L60 OC SC	IP20/40
51659599	RC065B G5 41S/840 PSU W60L60 NOC CFW	IP20/40
51660199	RC065B G5 41S/840 PSU W60L60 OC CFW	IP20/40

### Rendimiento inicial (conforme con IEC)

Order Code	Full Product Name	Cromaticidad inicial	Tolerancia de flujo luminoso
36926699	RC065B LED41S/840 PSU W60L60 NOC	(0.38, 0.38) SDCM≤5	+/-10%
53064599	RC065B LED34S/840 PSD W60L60 OC	(0.38, 0.38) SDCM≤5	+/-10%
53065299	RC065B LED34S/830 PSU W60L60 OC	(0.43, 0.40) SDCM≤5	+/-10%
53066999	RC065B LED34S/830 PSU W60L60 NOC	(0.43, 0.40) SDCM≤5	+/-10%
51697799	RC065B G5 34_36S/830_40 PSD W60L60 OC SC	(0.43, 0.40) SDCM ≤5(0.38, 0.38) SDCM ≤5	-10% / +10%
38647499	RC065B LED34S/840 PSU W60L60 OC	(0.38, 0.38) SDCM≤5	+/-10%
36204599	RC065B LED34S/865 PSU W60L60 OC	(0.31, 0.33) SDCM≤5	+/-10%
79180399	RC065B LED34S/840 PSU W60L60 NOC	(0.38, 0.38) SDCM≤5	+/-10%
36206999	RC065B LED34S/865 PSU W60L60 NOC	(0.31, 0.33) SDCM≤5	+/-10%
51698499	RC065B G5 34_36S/830_40 PSU 30x120 OC SC	(0.43, 0.40) SDCM ≤5(0.38, 0.38) SDCM ≤5	-10% / +10%
50127099	RC065B LED34S/840 PSU W60L60 NOC BN	(0.38, 0.38) SDCM ≤5	+/-10%

Order Code	Full Product Name	Cromaticidad inicial	Tolerancia de flujo luminoso
50130099	RC065B LED34S/840 PSD W60L60 OC BN	(0.38, 0.38) SDCM ≤5	+/-10%
50168399	RC065B LED34S/830_835_840 PSU W60L60 OC	(0.38, 0.38) SDCM ≤5	+/-10%
50169099	RC065B LED34S/830_835_840 PSD W60L60 OC	(0.38, 0.38) SDCM ≤5	+/-10%
51672499	RC065B G5 34_36S/830_40 PSU W60L60 OC SC	(0.43, 0.40) SDCM ≤5(0.38, 0.38) SDCM ≤5	-10% / +10%
51673199	RC065B G5 34_36S/830_40 PSU 60x60 NOC SC	(0.43, 0.40) SDCM ≤5(0.38, 0.38) SDCM ≤5	-10% / +10%
51651999	RC065B G5 34S/840 PSU W60L60 OC CFW	(0.38, 0.38) SDCM ≤5	-10% / +10%
51652699	RC065B G5 34S/840 PSU W60L60 OC SC	(0.38, 0.38) SDCM ≤5	-10% / +10%
51653399	RC065B G5 34S/865 PSU W60L60 OC CFW	(0.31, 0.33) SDCM ≤5	-10% / +10%
51654099	RC065B G5 34S/840 PSU W60L60 NOC CFW	(0.38, 0.38) SDCM ≤5	-10% / +10%
51655799	RC065B G5 34S/840 PSU W60L60 NOC SC	(0.38, 0.38) SDCM ≤5	-10% / +10%
51656499	RC065B G5 34S/865 PSU W60L60 NOC CFW	(0.31, 0.33) SDCM ≤5	-10% / +10%

## Ledinaire Panel G3

Order Code	Full Product Name	Cromaticidad inicial	Tolerancia de flujo luminoso
51658899	RC065B G5 34S/840 PSD W60L60 OC SC	(0.38, 0.38) SDCM ≤5	-10% / +10%
51659599	RC065B G5 41S/840 PSU W60L60 NOC CFW	(0.38, 0.38) SDCM ≤5	-10% / +10%

Order Code	Full Product Name	Cromaticidad inicial	Tolerancia de flujo luminoso
51660199	RC065B G5 41S/840 PSU W60L60 OC CFW	(0.38, 0.38) SDCM ≤5	-10% / +10%

### Condiciones de aplicación

Order Code	Full Product Name	Nivel máximo de atenuación	Adecuado para conmutación aleatoria
36926699	RC065B LED41S/840 PSU W60L60 NOC	-	Sí
53064599	RC065B LED34S/840 PSD W60L60 OC	10%	Sí
53065299	RC065B LED34S/830 PSU W60L60 OC	-	Sí
53066999	RC065B LED34S/830 PSU W60L60 NOC	-	Sí
51697799	RC065B G5 34_36S/830_40 PSD W60L60 OC SC	1%	No aplicable
38647499	RC065B LED34S/840 PSU W60L60 OC	-	No aplicable
36204599	RC065B LED34S/865 PSU W60L60 OC	-	No aplicable
79180399	RC065B LED34S/840 PSU W60L60 NOC	-	Sí
36206999	RC065B LED34S/865 PSU W60L60 NOC	-	Sí
51698499	RC065B G5 34_36S/830_40 PSU 30x120 OC SC	No aplicable	No aplicable
50127099	RC065B LED34S/840 PSU W60L60 NOC BN	-	Sí
50130099	RC065B LED34S/840 PSD W60L60 OC BN	3%	Sí
50168399	RC065B LED34S/830_835_840 PSU W60L60 OC	-	Sí

Order Code	Full Product Name	Nivel máximo de atenuación	Adecuado para conmutación aleatoria
50169099	RC065B LED34S/830_835_840 PSD W60L60 OC	3%	Sí
51672499	RC065B G5 34_36S/830_40 PSU W60L60 OC SC	No aplicable	No aplicable
51673199	RC065B G5 34_36S/830_40 PSU 60x60 NOC SC	No aplicable	No aplicable
51651999	RC065B G5 34S/840 PSU W60L60 OC CFW	No aplicable	No aplicable
51652699	RC065B G5 34S/840 PSU W60L60 OC SC	No aplicable	No aplicable
51653399	RC065B G5 34S/865 PSU W60L60 OC CFW	No aplicable	No aplicable
51654099	RC065B G5 34S/840 PSU W60L60 NOC CFW	No aplicable	No aplicable
51655799	RC065B G5 34S/840 PSU W60L60 NOC SC	No aplicable	No aplicable
51656499	RC065B G5 34S/865 PSU W60L60 NOC CFW	No aplicable	No aplicable
51658899	RC065B G5 34S/840 PSD W60L60 OC SC	1%	No aplicable
51659599	RC065B G5 41S/840 PSU W60L60 NOC CFW	No aplicable	No aplicable
51660199	RC065B G5 41S/840 PSU W60L60 OC CFW	No aplicable	No aplicable

