



eW Graze QLX Powercore

eW Graze QLX Powercore, 2700 K, 30° x 60° Beam Angle, 305 mm (1 ft)

eW Graze QLX Powercore, 2700 K, 30° x 60° Beam Angle, 305 mm (1 ft)

Many architectural structures need a linear fixture capable of illuminating several storeys with minimal setback and reduced power consumption. Property owners/end users need a controllable product capable of dynamic illumination to draw attention to their establishments and emphasise their brands. Graze QLX Powercore is capable of illuminating over 10 metres at very close setback distances. Powercore technology enables simple installation and long product run lengths.

Product data

| General information | | Operating and electrical | |
|-------------------------------|---------------------------------------|-----------------------------|-------------------|
| Lamp family code | LED-HB [LED High Brightness] | Input Voltage | 100 to 277 V |
| Lamp colour code | Warm white | Input frequency | 50 to 60 Hz |
| Light source replaceable | No | Controls and dimming | |
| Driver included | Yes | Dimmable | Yes |
| Optical cover/lens type | PCC [Polycarbonate bowl/cover clear] | Mechanical and housing | |
| Luminaire light beam spread | 30° x 60° | Housing material | Aluminum extruded |
| Protection class IEC | Safety class I (I) | Optical cover/lens material | Polycarbonate |
| CE mark | CE mark | Length | 305 mm |
| UL mark | UL and cUL mark | Colour | Aluminium |
| Lifetime to 70% luminous flux | 100000 h | | |

eW Graze QLX Powercore

Approval and application

| | |
|------------------------------|-----------------------------------------------|
| Ingress protection code | IP66 [Dust penetration-protected, jet-proof] |
| Mech. impact protection code | IK10 [20 J vandal-resistant] |
| Vibration standard | Complies with ANSI C136.31, 3G |
| Vibration rating | Complies with ANSI C136.31, 3G |

Initial performance (IEC compliant)

| | |
|-------------------------|--------|
| Lamp colour temperature | 2700 K |
| Initial input power | 15 W |

Over time performance (IEC compliant)

| | |
|-----------------------------------------|-------|
| Lumen Maintenance 50% at 25 °C Reported | 60000 |
| Lumen Maintenance 50% at 50 °C Reported | 60000 |
| Lumen Maintenance 70% at 25 °C Reported | 60000 |
| Lumen Maintenance 70% at 50 °C Reported | 60000 |

Application conditions

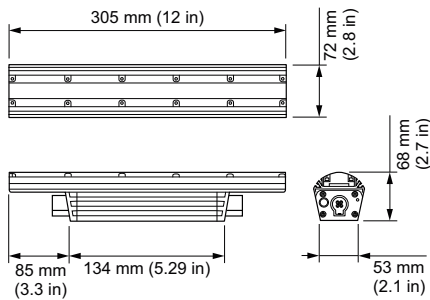
| | |
|---------------------------|---------------|
| Ambient temperature range | -40 to +50 °C |
|---------------------------|---------------|

Product data

| | |
|-----------------------------------|---------------------------------------------------------------------|
| Full product code | 871829161112799 |
| Order product name | BCS427 30x60/2700 L305 |
| EAN/UPC – product | 8718291611127 |
| Order code | 523-000081-09 |
| SAP numerator – quantity per pack | 1 |
| Numerator – packs per outer box | 4 |
| SAP material | 910503703756 |
| Net Weight (Piece) | 1.200 kg |
| Commercial Code | 523-000081-09 |
| Commercial Code | eW Graze QLX Powercore, 2700 K, 30° x 60° Beam Angle, 305 mm (1 ft) |



Dimensional drawing



BCS427 30x60/2700 L305

