



Mark 7 0-10V

MARK 7 0-10V ELE DIMMING BALLAST (2) F32T8 347V

The Mark 7 0-10V series of dimmable electronic ballasts offer maximum versatility by incorporating separate control leads for use with a wide array of controllers, including occupancy sensors, daylight harvesting controls, and building management systems from more than 40 manufacturers. When paired with linear fluorescent and 4-pin compact fluorescent lamps, these ballasts optimize the benefits of such popular sustainable lighting techniques as daylight harvesting, occupancy sensing, and load shedding to satisfy the need for an affordable, flexible and versatile controllable lighting solution.

Product data

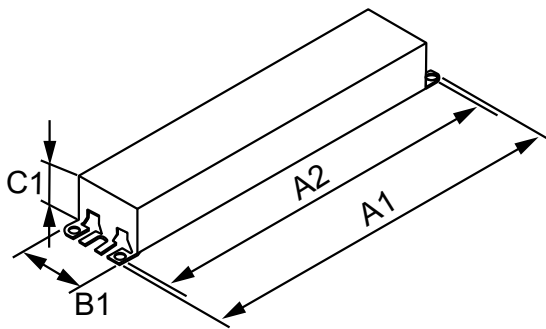
General Information		Input Current (Nom)	
Lamp Type	F32T8		0.18 A
Number of Lamps	2 piece/unit	Input Power (Max)	61 W
Ballast Type	Dimmable Fluorescent	Input Power (Min)	15 W
Base Model	GZT2S32SC	Rated Lamp Power	32 W
Suitable For Outdoor Use	Yes	Wiring	
Automatic Restart	Yes	Color Input Terminals	No terminals
Operating and Electrical		Color Output Terminals	No terminals
Input Voltage	347 V	Wire Striplength	0.50/0.375 mm
Input Frequency	50 to 60 Hz	Control Wire Gauge	18AWG
Total Harmonic Distortion USA	10 %	Lamp Connection	Series
Ignition Method	Programmed Start	Wire Length by Color	See data sheet
Crestfactor (Nom)	1.7	Wire Gauge (Nom)	18AWG mm
Ignition Time (Nom)	1.5 s	Wire Type	Solid
Ballast Factor (Max)	0.9	Remote Wiring Configuration Allowed	Yes
Ballast Factor (Min)	0.05	Tandem Wiring Configuration Allowed	Yes
Power Factor (Nom)	0.98	Through Wiring Configuration Allowed	Yes
		Max Ballast-Lamp Distance Remote Wiring	6'

Mark 7 0-10V

Max Ballast-Lamp Distance Tandem Wiring Any = 6'	
Max Ballast-Lamp Distance Through Wiring Any = 6'	
Connector Type	No connector
Temperature	
T-Case Maximum (Nom)	70 °C
Mechanical and Housing	
Housing Material	Metal
Housing	SC
Housing Dimensions	9.5" x 1.7" x 1.18"
Approval and Application	
EMC Immunity Standard	FCC Consumer
Approval Marks	CSA certificate UL certificate CEE Rated NEMA Premium RoHS Compliant

Hum And Noise Level	A
UL Recognized	No
Product Data	
Order product name	MARK 7 0-10V ELE DIMMING BALLAST (2) F32T8 347V
EAN/UPC - Product	781087109670
Order code	109777
Local order code	109777
Numerator - Quantity Per Pack	1
Numerator - Packs per outer box	20
Material Nr. (12NC)	913701234002
Net Weight (Piece)	454.000 g

Dimensional drawing



ELE DIMMING BALLAST (2) F32T8 347V

Product	A1	A2	B1	C1
MARK 7 0-10V ELE DIMMING BALLAST (2) F32T8 347V	9.5 in	8.90 in	1.7 in	1.18 in

