



Optanium T8 Programmed Start

OPTANIUM ELE BALLAST (4) F32T8 120-277V

Philips Advance Optanium high-efficiency electronic ballasts are engineered to optimize lighting performance and maximize energy savings. These ballasts provide an unparalleled package of features and benefits to support the wide variety of T8 fluorescent lamps out in the market place.

Product data

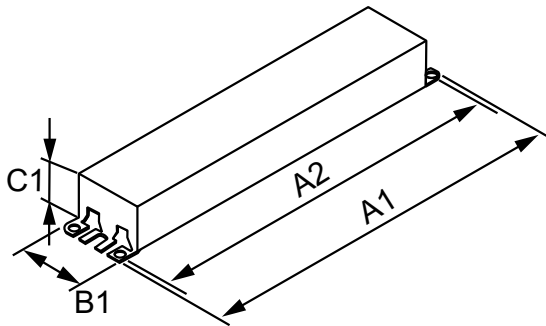
| General Information | | Rated Lamp Watts | |
|---------------------------------|------------------------|--|----------------|
| Lamp Type | F32T8 | Rated Lamp Watts | 32 W |
| Number of Lamps | 3/4 piece/unit | Wiring | |
| Ballast Type | Electronic Fluorescent | Color Input Terminals | No terminals |
| Base Model | IOP4PSP32SC | Color Output Terminals | No terminals |
| Suitable For Outdoor Use | Yes | Wire Striplength | 0.50/0.375 mm |
| Automatic Restart | Yes | Lamp Connection | Parallel |
| Operating and Electrical | | Wire Length by Color | See data sheet |
| Input Voltage | 120 to 277 V | Wire Gauge (Nom) | 18AWG mm |
| Input Frequency | 50 to 60 Hz | Wire Type | Solid |
| Max THD | 10 % | Remote Wiring Configuration Allowed | Yes |
| Starting Method | Programmed Start | Tandem Wiring Configuration Allowed | Yes |
| Lamp Current Crest Factor (Nom) | 1.6 | Through Wiring Configuration Allowed | Yes |
| Ignition Time (Nom) | 1.5 s | Max Ballast-Lamp Distance Remote Wiring | 20' |
| Ballast Factor (Nom) | 0.88 | Max Ballast-Lamp Distance Tandem Wiring | Any = 20' |
| Power Factor (Nom) | 0.98 | Max Ballast-Lamp Distance Through Wiring | Any = 20' |
| Input Current (Operating) (Max) | 0.93 A | Connector Type | No connector |
| Input Current (Operating) (Min) | 0.40 A | | |
| Input Power (Nom) | 110-109 W | | |

Optanium T8 Programmed Start

| Temperature | |
|--------------------------|--|
| T-Case Maximum (Nom) | 70 °C |
| Mechanical and Housing | |
| Housing Material | Metal |
| Housing | SC |
| Housing Dimensions | 9.5" x 1.7" x 1.18" |
| Approval and Application | |
| EMC Immunity Standard | FCC Non-Consumer |
| Approbation Marks | CSA certificate UL certificate CEC Listing CEE Rated NEMA Premium RoHS Compliant |
| Sound Rating | A |

| UL Recognized | No |
|---------------------------------|--|
| Product Data | |
| Order product name | OPTANIUM ELE BALLAST (4) F32T8 120-277V |
| EAN/UPC - Product | 781087081808 |
| Order code | IOP4PSP32SC35M |
| Numerator - Quantity Per Pack | 1 |
| Numerator - Packs per outer box | 20 |
| Material Nr. (12NC) | 913710894602 |
| Net Weight (Piece) | 613.000 g |

Dimensional drawing



ELE BALLAST (4) F32T8 120-277V

| Product | A1 | A2 | B1 | C1 |
|---|--------|---------|--------|---------|
| OPTANIUM ELE BALLAST (4) F32T8 120-277V | 9.5 in | 8.90 in | 1.7 in | 1.18 in |

