



ALR 37/56 mm

GBK 50W 12V 25DEG 50PK

Delivers high lumen output and excellent color rendering for precise accent and display lighting. Philips Halogen Aluminum Reflector Lamps provide continuous color and high luminous intensity for precise accent and display lighting. These lamps offer a rated average life ranging from 2000 hours and feature excellent beam qualities for accent or ambient lighting.

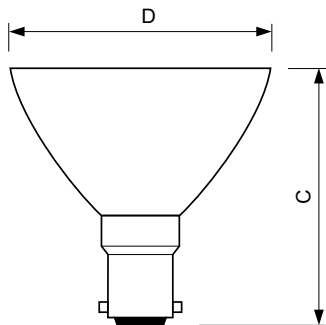
Product data

General Information	
Cap-Base	BA15S [BA15s]
Operating Position	UNIVERSAL [Any or Universal (U)]
Rated Lifetime (Hours)	2,000 hour(s)
Lighting Technology	Halogen
Light Technical	
Beam Angle (Nom)	25 degree(s)
Correlated Color Temperature (Nom)	3000 K
Color rendering index (CRI)	100
Operating and Electrical	
Power Consumption	50 W
Lamp Current (Nom)	4.17 A
Starting Time (Nom)	0.0 s
Voltage (Nom)	12 V
Voltage (Nom)	12 V
Controls and Dimming	
Dimmable	Yes

Mechanical and Housing	
Bulb Finish	Frosted
Bulb Shape	R56 [R 56mm]
Product Data	
Order product name	GBK 50W S.C. Bay 12V 25D FR 1CT
Full product name	GBK 50W 12V 25DEG 50PK
Full product code	904667734091960
Order code	340919
Material Nr. (12NC)	924001617119
Numerator - Quantity Per Pack	1
EAN/UPC - Product/Case	046677340919
Numerator - Packs per outer box	50
EAN/UPC - Case	50046677340914

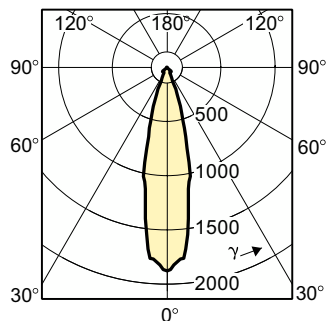
ALR 37/56 mm

Dimensional drawing



Product	D (max)	C (max)
GBK 50W S.C. Bay 12V 25D FR 1CT	58 mm	58 mm

Photometric data



Light Distribution Diagram - GBK 50W S.C. Bay 12V 25D FR 1CT

