



# Twistline Alu 2000 hours

## Tw Alu 2000h 50W GU10 230V 40D 1CT/10X5F

Mains-voltage halogen burner in glass reflector. Ideal solution for small decorative luminaires, putting your objects in a superior-quality spot light. Aluminum coating prevents heat in the backlight.

### Product data

General Information	
Cap-Base	GU10 [GU10]
Operating Position	UNIVERSAL [Any or Universal (U)]
Nominal lifetime	2,000 hour(s)
Switching Cycle	8,000
Rated Lifetime (Hours)	2,000 hour(s)
Lighting Technology	Halogen

Light Technical	
Beam Angle (Nom)	40 degree(s)
Correlated Color Temperature (Nom)	2800 K
Color rendering index (CRI)	100
Luminous Flux in 90° Cone (Rated)	330 lm

Operating and Electrical	
Power Consumption	50.0 W
Starting Time (Nom)	0.0 s
Warm-up time to 60% light	instant full light s
Power Factor (Fraction)	1
Voltage (Nom)	230 V

Voltage (Nom)	230 V
---------------	-------

Controls and Dimming	
Dimmable	Yes

Mechanical and Housing	
Bulb Finish	Clear
Bulb Shape	MR16 [2inch/50mm]

Approval and Application	
Energy Consumption kWh/1000 h	50 kWh

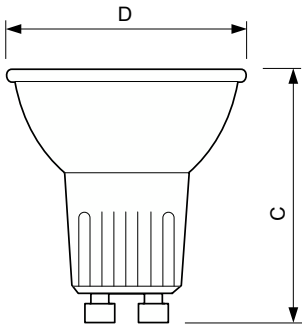
Product Data	
Order product name	Tw Alu 2000h 50W GU10 230V 40D 1CT/10X5F
Full product name	Tw Alu 2000h 50W GU10 230V 40D 1CT/10X5F
Full product code	871150042853060
Order code	924713544225
Material Nr. (12NC)	924713544225
Numerator - Quantity Per Pack	1
EAN/UPC - Product/Case	8711500428530
Numerator - Packs per outer box	50

## Twistline Alu 2000 hours

EAN/UPC - Case

8711500428554

### Dimensional drawing



Product	D (max)	C (max)
Tw Alu 2000h 50W GU10 230V 40D 1CT/10X5F	50.7 mm	51 mm

