



MASTER VALUE LEDs pot LV

MASTER LEDspotLV D 7-35W GU5.3 827 MR16 36D

Delivering a warm, halogen-like accent beam, MASTER LEDspot LV is an ideal retrofit solution for spot and general lighting applications in the hospitality industry. It is particularly suited to public areas such as receptions, lobbies, corridors, stairwells and washrooms, where the light is on all the time. The robustly designed MASTER LEDspot offers a choice of beam angles for a clearly defined beam spread. There is no UV or IR in the beam, making it suitable for illuminating heat-sensitive objects (food, organic materials, paintings, etc.). The patented intelligent driver enables broad compatibility with existing electromagnetic and electronic halogen transformers. The dimmable versions drive further efficiencies, while helping to create the desired atmosphere.

Warnings and Safety

- Operating temperature range is between -20° C and 45° C ambient
- Only to apply in dry or damp locations and most of open fixtures with lamp-holders that offer sufficient space (10 mm free air space)
- Not intended for use with emergency light fixtures or exit lights

Product data

General Information	
Cap-Base	GU5.3 [GU5.3]
Nominal lifetime	40,000 hour(s)
Switching Cycle	50,000
Lighting Technology	LED
EU RoHS compliant	Yes

Light Technical	
Color Code	827 [CCT of 2700K]
Beam Angle (Nom)	36 degree(s)
Luminous Flux	420 lm
Luminous Intensity (Nom)	1,200 cd
Color Designation	Warm White (WW)
Correlated Color Temperature (Nom)	2700 K
Luminous Efficacy (rated) (Nom)	60.00 lm/W

MASTER VALUE LEDspot LV

Color Consistency	<6
Color rendering index (CRI)	80
LLMF At End Of Nominal Lifetime (Nom)	70 %
Luminous Flux in 90° Cone (Rated)	385 lm

Operating and Electrical

Line Frequency	50 to 60 Hz
Input Frequency	50 to 60 Hz
Power Consumption	7 W
Lamp Current (Nom)	715 mA
Wattage Equivalent	35 W
Starting Time (Nom)	0.5 s
Warm-up time to 60% light	instant full light s
Voltage (Nom)	12 V

Temperature

T-Case Maximum (Nom)	110 °C
----------------------	--------

Controls and Dimming

Dimmable	Yes
----------	-----

Mechanical and Housing

Bulb Shape	MR16 [2inch/50mm]
------------	-------------------

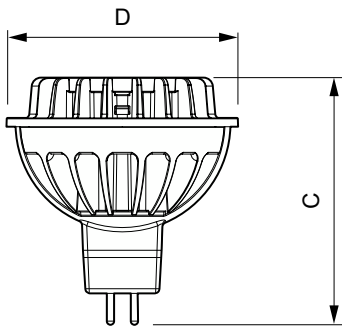
Approval and Application

Suitable For Accent Lighting	Yes
Energy Consumption kWh/1000 h	8 kWh

Product Data

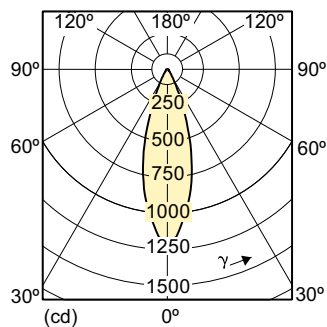
Order product name	MAS LEDspotLV D 7-35W GU5.3 827 MR16 36D
Full product name	MASTER LEDspotLV D 7-35W GU5.3 827 MR16 36D
Full product code	871829165538100
Order code	65538100
Material Nr. (12NC)	929000237602
Numerator - Quantity Per Pack	1
EAN/UPC - Product/Case	8718291655381
Numerator - Packs per outer box	10
EAN/UPC - Case	8718291655398

Dimensional drawing



Product	D	C
MAS LEDspotLV D 7-35W GU5.3 827 MR16 36D	54 mm	50 mm

Photometric data



Light Distribution Diagram - MAS LEDspotLV D 7-35W GU5.3 827 MR16 36D



Spectral Power Distribution Colour - MAS LEDspotLV D 7-35W GU5.3 827 MR16 36D

MASTER VALUE LEDspot LV

