



# MASTER LEDspot LV AR111

## MAS LEDspotLV D 10-50W 827 AR111 40D

Delivering a warm, halogen-like accent beam, MASTER LEDspot LV AR111 is an ideal retrofit solution for spot and general lighting applications in the hospitality and retail industry. It is particularly suitable for general lighting where the light is on all the time, such as creative accent lighting applications in shops, restaurants, hotels, and especially for galleries, exhibitions and museums. The robustly designed MASTER LEDspot LV AR111 offers various beam angles for a clearly defined beam spread. There is no UV or IR in the beam, making it suitable for illuminating heat-sensitive objects (food, organic materials, paintings, etc.). The patented intelligent driver enables broad compatibility with existing electromagnetic and electronic halogen transformers. MASTER LEDspot LV AR111 delivers huge energy savings and minimizes maintenance cost without any reduction in brightness.

### Product data

General Information	
Cap-Base	G53 [G53]
Nominal lifetime	40,000 hour(s)
Switching Cycle	50,000
Lighting Technology	LED
EU RoHS compliant	Yes

Light Technical	
Color Code	827 [CCT of 2700K]
Beam Angle (Nom)	40 degree(s)
Luminous Flux	580 lm
Luminous Intensity (Nom)	1,250 cd
Color Designation	Warm White (WW)
Correlated Color Temperature (Nom)	2700 K

Luminous Efficacy (rated) (Nom)	58.00 lm/W
Color Consistency	<6
Color rendering index (CRI)	80
LLMF At End Of Nominal Lifetime (Nom)	70 %
Luminous Flux in 90° Cone (Rated)	580 lm

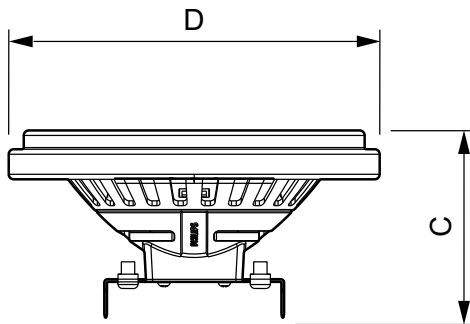
Operating and Electrical	
Line Frequency	50 to 60 Hz
Input Frequency	50 to 60 Hz
Power Consumption	10 W
Lamp Current (Nom)	1,100 mA
Starting Time (Nom)	1 s
Warm-up time to 60% light	instant full light s
Power Factor (Fraction)	0.5

# MASTER LEDspot LV AR111

Voltage (Nom)	12 V
<b>Controls and Dimming</b>	
Dimmable	Yes
<b>Mechanical and Housing</b>	
Bulb Shape	AR111
<b>Approval and Application</b>	
Suitable For Accent Lighting	Yes
Energy Consumption kWh/1000 h	11 kWh

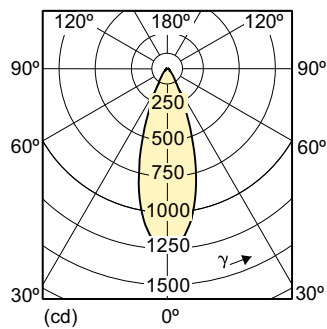
<b>Product Data</b>	
Order product name	MAS LEDspotLV D 10-50W 827 AR111 40D
Full product name	MAS LEDspotLV D 10-50W 827 AR111 40D
Full product code	871829171850500
Order code	71850500
Material Nr. (12NC)	929000260802
Numerator - Quantity Per Pack	1
EAN/UPC - Product/Case	8718291718505
Numerator - Packs per outer box	6
EAN/UPC - Case	8718291718512

## Dimensional drawing



Product	D	C
MAS LEDspotLV D 10-50W 827 AR111 40D	111 mm	56 mm

## Photometric data



Light Distribution Diagram - MAS LEDspotLV D 10-50W 827 AR111 40D

# MASTER LEDspot LV AR111

