

Xitanium LED Driver Indoor Linear Dimmable (US)

XITANIUM 54W 0.1-1.5A 27-54V 0-10V INT-T

Xitanium Indoor LED Drivers are available in a wide variety of wattages up to 75W. Most models include adjustable output current to enable OEMs to set LED drive current specific to their needs. These drivers are available in form factors perfectly suited for indoor linear troffer applications. 1-10V and leading edge dimming options enable energy-efficient solutions.

Product data

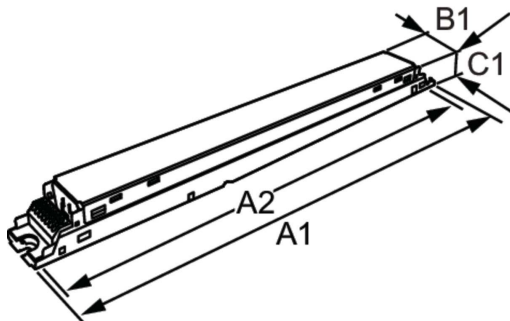
General Information		Output Voltage (Min)	27 V
Lighting Technology	LED	Wiring	
Operating and Electrical		Primary Fusing	Fused
Line Frequency	50 to 60 Hz	Temperature	
Input Frequency	50 to 60 Hz	Ambient temperature range	-20 °C to 50 °C
Total Harmonic Distortion IEC (Max)	20 %	T-Case Maximum (Max)	85 °C
Power Consumption	61 W	Controls and Dimming	
Maximum Efficiency at Full Load	86/88 %	Dimmable	Yes
Output Current (Max)	1500 mA	Control Interface	0-10V
Output Current (Nom)	700-1500 mA	Dimming Range	100-5 %
Input Current (Max)	540 mA	Constant light output	No
Output Power (Max)	54 W	Approval and Application	
Output Power (Nom)	54 W	Short Circuit Protection	Protected
Output Power (Min)	0 W		
Output Current (Min)	100 mA		
Output Voltage (Max)	54 V		

Xtanium LED Driver Indoor Linear Dimmable (US)

EMI Standard	FCC Title 47 Part 15; Class B
Environmental Standard	UL Damp & Dry
Approval Marks	RoHS compliance CSA certificate
Product Data	
Order product name	XITANIUM 54W 0.1-1.5A 27-54V 0-10V INT-T
Full product name	XITANIUM 54W 0.1-1.5A 27-54V 0-10V INT-T
Full product code	871869690027700

Order code	929000711113
Material Nr. (12NC)	929000711113
Numerator - Quantity Per Pack	1
EAN/UPC - Product/Case	781087130254
Numerator - Packs per outer box	18
EAN/UPC - Case	50781087130266

Dimensional drawing



Product	C1	A1	A2	B1
XITANIUM 54W 0.1-1.5A 27-54V 0-10V INT-T	25.4 mm	358.1 mm	350.0 mm	30.0 mm

