



MASTER LEDtube EM/ Mains T8

MAS LEDtube VLE 600mm 10W830 T8C ROT

The Philips MASTER LEDtube integrates a LED light source into a traditional fluorescent form factor. Its unique design creates a perfectly uniform visual appearance, which cannot be distinguished from traditional fluorescent. These T8 LED tubes are the right choice for absolute performance and are designed to stand up to everyday conditions. Unparalleled savings thanks to low energy consumption and an exceptionally long lifetime ensure this tube masters every demanding application.

Warnings and Safety

- NOTE: The overall energy efficiency and light distribution of any installation that uses these lamps will be determined by the design of the installation.

Product data

| General Information | | LLMF At End Of Nominal Lifetime (Nom) 70 % | |
|------------------------------------|---------------------------------|--|----------------------|
| Cap-Base | G13 [Medium Bi-Pin Fluorescent] | Operating and Electrical | |
| Nominal lifetime | 40,000 hour(s) | Line Frequency | 50 to 60 Hz |
| Switching Cycle | 50,000 | Input Frequency | 50 to 60 Hz |
| Lighting Technology | LED | Power Consumption | 10 W |
| EU RoHS compliant | Yes | Starting Time (Nom) | 0.5 s |
| Light Technical | | Warm-up time to 60% light | Instant full light s |
| Color Code | 830 [CCT of 3000K] | Power Factor (Fraction) | 0.9 |
| Beam Angle (Nom) | 150 degree(s) | Voltage (Nom) | 220-240 V |
| Luminous Flux | 1,000 lm | Temperature | |
| Correlated Color Temperature (Nom) | 3000 K | Ambient temperature range | -30 °C to 45 °C |
| Color Consistency | <6 | | |
| Color rendering index (CRI) | 83 | | |

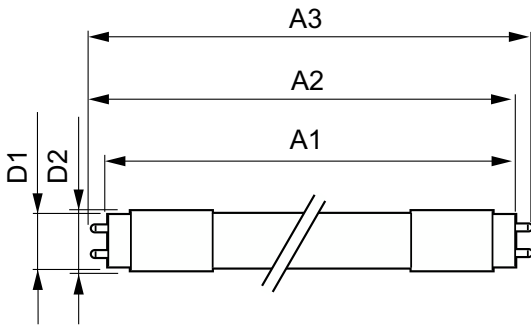
MASTER LEDtube EM/Mains T8

| | |
|---------------------------------|--|
| T-Case Maximum (Nom) | 50 °C |
| Controls and Dimming | |
| Dimmable | No |
| Mechanical and Housing | |
| Product Length | 23-5/8 inch |
| Approval and Application | |
| Energy Saving Product | Yes |
| Suitable For Accent Lighting | No |
| Approval Marks | CE marking RoHS compliance KEMA Keur certificate |
| Energy Consumption kWh/1000 h | 10 kWh |

Product Data

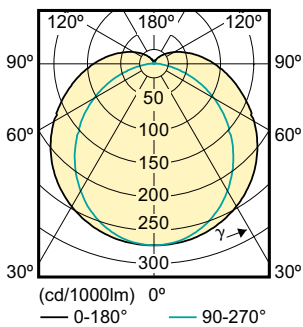
| | |
|---------------------------------|--------------------------------------|
| Order product name | MAS LEDtube VLE 600mm 10W830 T8C ROT |
| Full product name | MAS LEDtube VLE 600mm 10W830 T8C ROT |
| Full product code | 871869642204500 |
| Order code | 929001126402 |
| Material Nr. (12NC) | 929001126402 |
| Numerator - Quantity Per Pack | 1 |
| EAN/UPC - Product/Case | 8718696422045 |
| Numerator - Packs per outer box | 10 |
| EAN/UPC - Case | 8718696422052 |

Dimensional drawing



| Product | D1 | D2 | A1 | A2 | A3 |
|--------------------------------------|----------|-------|----------|----------|----------|
| MAS LEDtube VLE 600mm 10W830 T8C ROT | 25.68 mm | 28 mm | 588.5 mm | 595.5 mm | 602.5 mm |

Photometric data



Light Distribution Diagram - MAS LEDtube VLE 600mm 10W830 T8C ROT



Spectral Power Distribution Colour - MAS LEDtube VLE 600mm 10W830 T8C ROT

MASTER LEDtube EM/Mains T8

