



MASTER LEDspot LV

MASTER LED 7-50W 927 MR16 60D Dim

Delivering intense accent beam, MASTER LEDspot LV is an ideal retrofit solution for spot lighting. MASTER LEDspot LV is designed to replace halogen or incandescent spots. It realizes natural colors, enables cozy and comfortable ambience for residential, hospitality and emphasizes the beauty of merchandise in retail. New smaller housing provides perfect fitting with majority of luminaires in a market with a MR16 GU 5.3 holder. It not only employs Philips' patented solution to guarantee the broadest possible compatibility with standard 12V halogen electronic transformers, it also delivers high beam intensity which is equivalent to halogen MR16 spots. The dimming function enables to create the desired atmosphere and it works with broad selection of dimmers. Its high SDCM ensure stricter color consistency, that is maintained over product life. MASTER LEDspot LV delivers huge energy savings and minimizes maintenance cost without any compromise on light quality and lifetime, enabling residential and business owners to achieve a return on their investment within short period time.

Product data

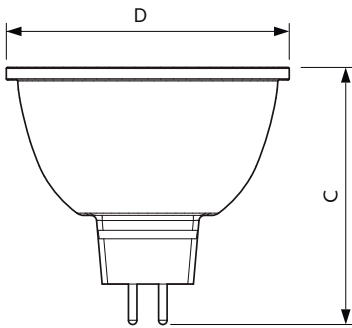
| General Information | | Operating and Electrical | |
|--------------------------|-----------------|---------------------------------------|------------|
| Cap-Base | GU5.3 [GU5.3] | Correlated Color Temperature (Nom) | 2700 K |
| Nominal lifetime | 40,000 hour(s) | Luminous Efficacy (rated) (Nom) | 71.00 lm/W |
| Switching Cycle | 50,000 | Color Consistency | <4 |
| Lighting Technology | LED | Color rendering index (CRI) | 90 |
| EU RoHS compliant | Yes | LLMF At End Of Nominal Lifetime (Nom) | 70 % |
| Light Technical | | Line Frequency | - Hz |
| Color Code | 927 | Input Frequency | - Hz |
| Beam Angle (Nom) | 60 degree(s) | Power Consumption | 7 W |
| Luminous Flux | 500 lm | Lamp Current (Nom) | 830 mA |
| Luminous Intensity (Nom) | 500 cd | Wattage Equivalent | 50 W |
| Color Designation | Warm White (WW) | Starting Time (Nom) | 0.5 s |

MASTER LEDspot LV

| | |
|---------------------------------|-------------------|
| Warm-up time to 60% light | 0.5 s |
| Power Factor (Fraction) | 0.7 |
| Voltage (Nom) | 12 V |
| Temperature | |
| T-Case Maximum (Nom) | 90 °C |
| Controls and Dimming | |
| Dimmable | Yes |
| Mechanical and Housing | |
| Bulb Shape | MR16 [2inch/50mm] |
| Approval and Application | |
| Suitable For Accent Lighting | Yes |

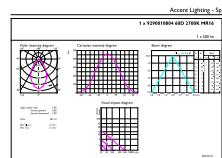
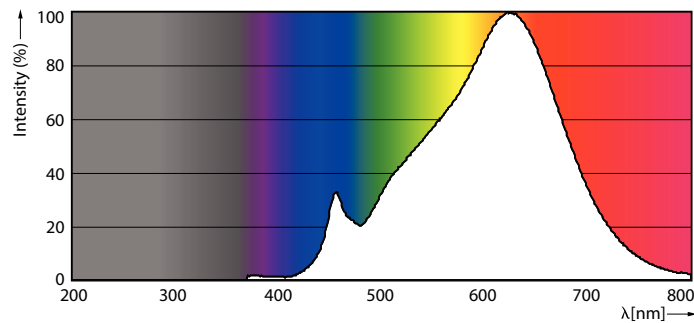
| | |
|---------------------------------|-----------------------------------|
| Energy Consumption kWh/1000 h | 8 kWh |
| Product Data | |
| Order product name | MASTER LED 7-50W 927 MR16 60D Dim |
| Full product name | MASTER LED 7-50W 927 MR16 60D Dim |
| Full product code | 871869682560000 |
| Order code | 929001880408 |
| Material Nr. (12NC) | 929001880408 |
| Numerator - Quantity Per Pack | 1 |
| EAN/UPC - Product/Case | 8718696825600 |
| Numerator - Packs per outer box | 10 |
| EAN/UPC - Case | 8718696825617 |

Dimensional drawing



| Product | D | C |
|-----------------------------------|---------|---------|
| MASTER LED 7-50W 927 MR16 60D Dim | 50.5 mm | 46.5 mm |

Photometric data

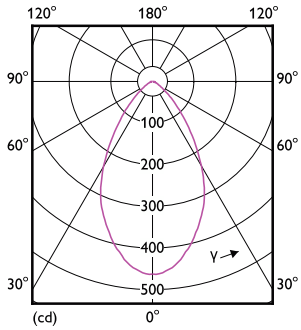


Spectral Power Distribution Colour - MASTER LED 7-50W 927 MR16 60D Dim

Accent Lighting Spots - MASTER LED 7-50W 927 MR16 60D Dim

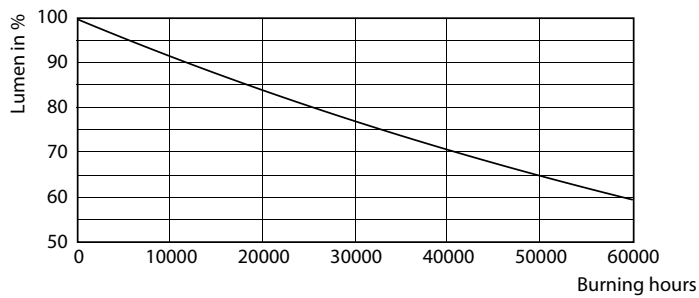
MASTER LEDspot LV

Photometric data

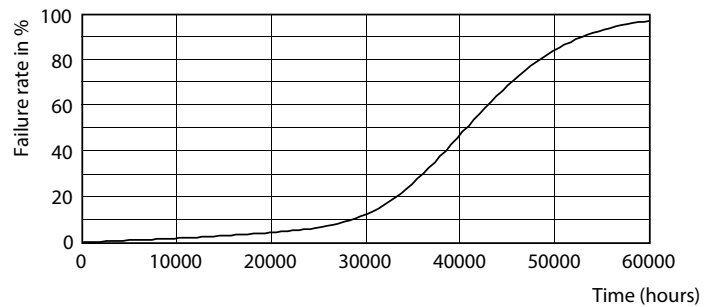


Light Distribution Diagram - MASTER LED 7-50W 927 MR16 60D Dim

Lifetime



Lumen Maintenance Diagram - MASTER LED 7-50W 927 MR16 60D Dim



Life Expectancy Diagram - MASTER LED 7-50W 927 MR16 60D Dim

